



## BFK2600A230

Contactore per correzione del fattore di potenza con circuito di controllo AC, inclusi resistori limitanti, massima potenza operativa IEC 400V = 20KVAR, bobina 230VAC 50/60Hz

Product designation: Power contactor  
 Product type designation: BFK26

Contact characteristics

Number of poles		Nr	3
Rated insulation voltage $U_i$ IEC/EN		V	690
Rated impulse withstand voltage $U_{imp}$		kV	6
Operational frequency	min	Hz	25
	max	Hz	400
IEC Conventional free air thermal current $I_{th}$		A	45
Rated operational power AC-6b ( $T \leq 40^\circ C$ )	230V	kvar	11
	400V	kvar	20
	440...480V	kvar	22
	690V	kvar	25
Shorttime allowable current for 10s (IEC/EN60947 1)		A	210
Protection fuse		gG (IEC)	A
			40
Making capacity (RMS value)		A	260
Breaking capacity at voltage	440V	A	208
	500V	A	184
	690V	A	168
Resistance per pole (average value)		m $\Omega$	2
Power dissipation per pole (average value)	$I_{th}$	W	4
Tightening torque for terminals	min	Nm	2.5
	max	Nm	3
	min	lbin	1.8
	max	lbin	2.2
Tightening torque for coil terminal	min	Nm	0.8
	max	Nm	1
	min	lbin	Prodotti finiti
	max	lbin	Prodotti finiti
Max number of wires simultaneously connectable		Nr	2
Conductor section	Flexible w/o lug conductor section		
	min	mm <sup>2</sup>	2.5
	max	mm <sup>2</sup>	16
Flexible c/w lug conductor section			
	min	mm <sup>2</sup>	1
	max	mm <sup>2</sup>	10
Flexible with insulated spade lug conductor section			

### BFK2600A230

Contacteur for power factor correction with AC control circuit, including limiting resistors, maximum IEC operational power 400V = 20KVAR, coil 230VAC 50/60Hz

		min	mm <sup>2</sup>	1	
		max	mm <sup>2</sup>	10	
Power terminal protection according to IEC/EN 60529				IP20 when wired	
<b>Mechanical features</b>					
Operating position		normal allowable		Vertical plan +30°	
Fixing				Screw / DIN rail 35mm	
Weight			g	400	
<b>Operations</b>					
Mechanical life			cycles	20000000	
Electrical life			cycles	1600000	
<b>Safety related data</b>					
Performance level B10d according to EN/ISO 13489-1		rated load	cycles	400000	
		mechanical load	cycles	20000000	
EMC compatibility				Yes	
<b>AC coil operating</b>					
Rated AC voltage at 50/60Hz			V	230	
<b>AC operating voltage</b>					
	of 50/60Hz coil powered at 50Hz				
	pickup	min	%Us	80	
		max	%Us	110	
	drop-out	min	%Us	20	
		max	%Us	55	
	of 50/60Hz coil powered at 60Hz				
	pickup	min	%Us	85	
		max	%Us	110	
	drop-out	min	%Us	20	
		max	%Us	55	
<b>AC average coil consumption at 20°C</b>					
	of 50/60Hz coil powered at 50Hz	in-rush	VA	75	
		holding	VA	9	
	of 50/60Hz coil powered at 60Hz	in-rush	VA	70	
		holding	VA	7	
	of 60Hz coil powered at 60Hz	in-rush	VA	75	
		holding	VA	9	
Dissipation at holding ≤20°C 50Hz				W	2.5
<b>Max cycles frequency</b>					
Mechanical operation			cycles/h	3600	
<b>Operating times</b>					
Average time for Us control					
	in AC	Closing NO	min	ms	8
			max	ms	24

**BFK2600A230**

Contacteur for power factor correction with AC control circuit, including limiting resistors, maximum IEC operational power 400V = 20KVAR, coil 230VAC 50/60Hz

Opening NO

min	ms	5
max	ms	15

Closing NC

min	ms	9
max	ms	20

UL technical data

General USE

Contacteur

AC current	A	45
------------	---	----

Ambient conditions

Temperature

Operating temperature

min	°C	-50
max	°C	70

Storage temperature

min	°C	60
max	°C	80
	m	3000

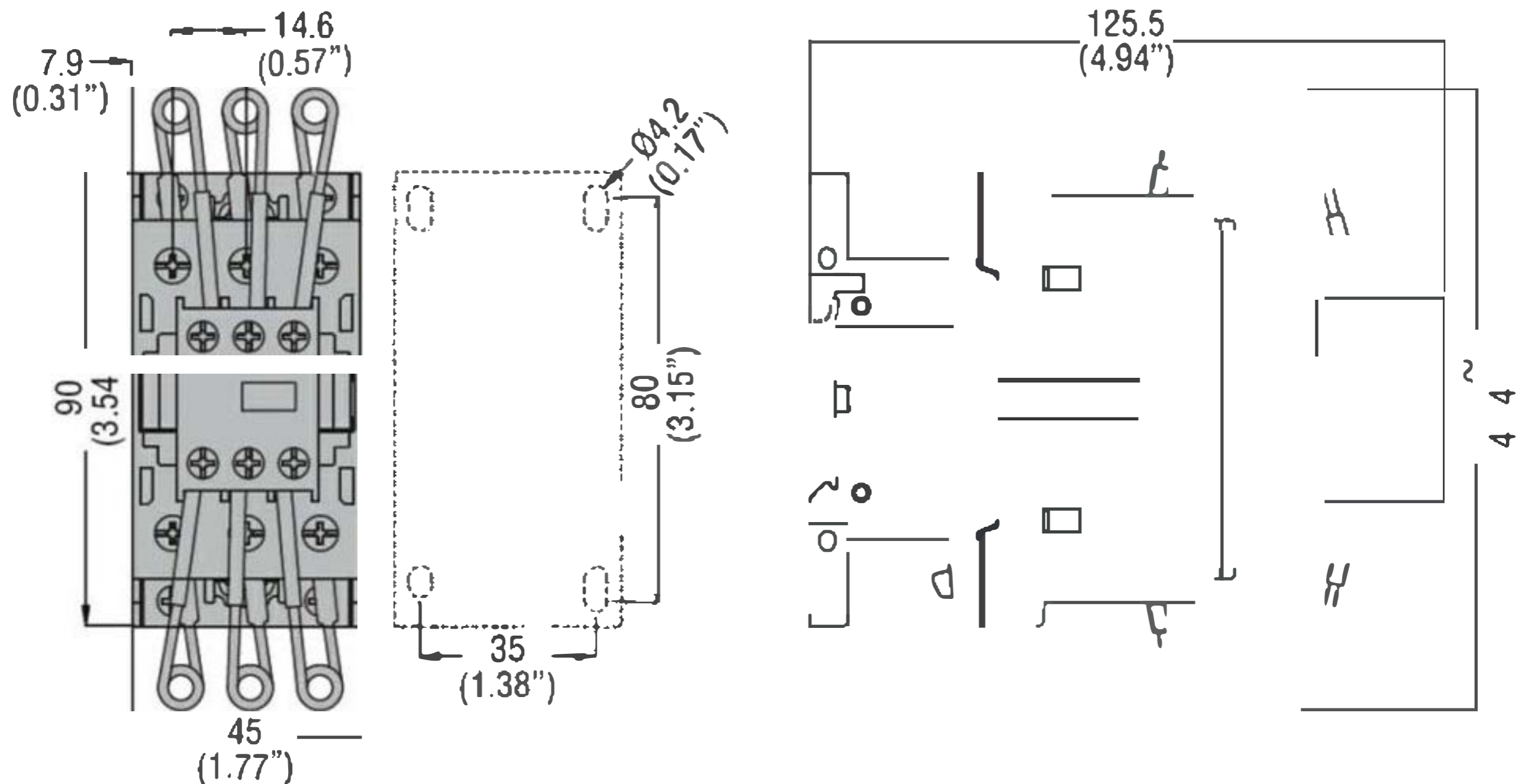
Max altitude

Resistance & Protection

Pollution degree

3

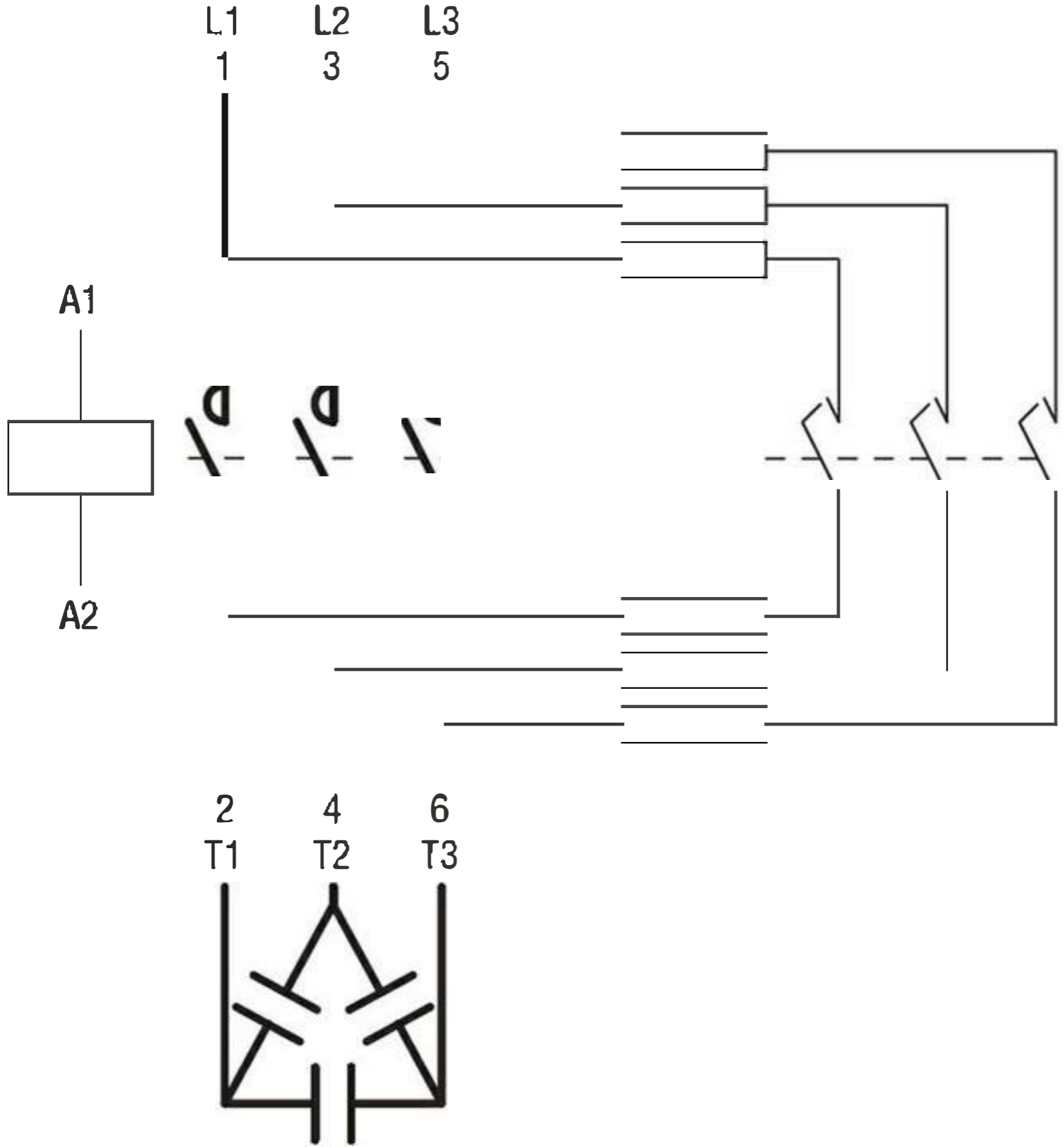
Dimensions



**BFK2600A230**

Contactor for power factor correction with AC control circuit, including limiting resistors, maximum IEC operational power 400V = 20KVAR, coil 230VAC 50/60Hz

Wiring diagrams



Certifications and compliance

Compliance

- CSA C22.2 n° 60947-1
- CSA C22.2 n° 60947 4-1
- IEC/EN 60947-1
- IEC/EN 60947-4-1
- UL 60947-1
- UL 60947 4-1

Certificates

- CCC
- cULus
- EAC

ETIM classification

ETIM 8.0

EC001079 -  
 Capacitor  
 contactor



**Lovato**

**electric**

ENERGY AND AUTOMATION