

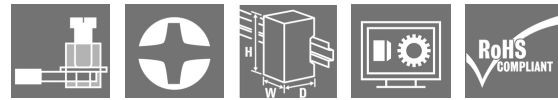
## SRD ECO 3CO

**Weidmüller Interface GmbH & Co. KG**  
 Klingenbergstraße 26  
 D-32758 Detmold  
 Germany



www.weidmueller.com

## Product image



Relay sockets for the D-SERIES DRR relays

- 2 or 3 CO contacts
- Screw connection

## General ordering data

Version	D-SERIES DRR, Relay socket, Number of contacts: 3, CO contact, Continuous current: 12 A, Screw connection
Order No.	<a href="#">1132820000</a>
Type	SRD ECO 3CO
GTIN (EAN)	4032248952670
Qty.	10 pc(s).

Creation date March 12, 2022 11:24:30 AM CET

Catalogue status 11.02.2022 / We reserve the right to make technical changes.

Teslakala.com

## SRD ECO 3CO

Weidmüller Interface GmbH &amp; Co. KG

Klingenbergstraße 26

D-32758 Detmold

Germany

www.weidmueller.com

## Technical data

## Dimensions and weights

Depth	27 mm	Depth (inches)	1.063 inch
Height	76.7 mm	Height (inches)	3.02 inch
Width	38 mm	Width (inches)	1.496 inch
Net weight	60.2 g		

## Temperatures

Storage temperature	-40 °C...85 °C	Operating temperature	-40 °C...65 °C
Humidity	35...85 % rel. humidity, no condensation		

## Rated data UL

Certificate No. (cURus)	E355547
-------------------------	---------

## Load side

Rated switching voltage	250 V AC	Continuous current	12 A
Max. switching voltage, AC	300 V	Contact type	3 CO contact

## General data

Rail	TS 35		
Colour	black		
UL94 flammability rating component	Component	Housing	
	UL94 flammability rating	V-2	
	Component	Mounting foot	
	UL94 flammability rating	HB	
	Component	Retaining clip	
	UL94 flammability rating	HB	

## Insulation coordination

Pollution severity	2	Surge voltage category	III
Clearance and creepage distances for control side - load side	≥ 4 mm	Dielectric strength for control side - load side	2.5 kV <sub>eff</sub> / 1 Min.
Dielectric strength of neighbouring contacts	2.21 kV <sub>eff</sub> / 1 min	Impulse withstand voltage	4.8 kV (1.2/50 μs)
Protection degree	IP20		

## Further details of approvals / standards

Standards	EN 60664-1:2007, EN 61000-6-2:2005, EN 61000-6-4:2007 + A1:2011, UL 508	Certificate No. (cURus)	E355547
-----------	--	-------------------------	---------

## SRD ECO 3CO

Weidmüller Interface GmbH &amp; Co. KG

Klingenbergstraße 26

D-32758 Detmold

Germany

www.weidmueller.com

## Technical data

## Connection data

Wire connection method	Screw connection	Stripping length, rated connection	7 mm
Tightening torque, min.	0.5 Nm	Tightening torque, max.	1 Nm
Clamping range, min.	0.5 mm <sup>2</sup>	Clamping range, max.	2.5 mm <sup>2</sup>
Wire cross-section, solid, min.	0.5 mm <sup>2</sup>	Wire cross-section, solid, max.	2.5 mm <sup>2</sup>
Wire connection cross section, finely stranded, min.	0.5 mm <sup>2</sup>	Wire connection cross section, finely stranded, max.	2.5 mm <sup>2</sup>
Wire connection cross-section, finely stranded with wire-end ferrules DIN 46228/4, min.	0.5 mm <sup>2</sup>	Wire connection cross-section, finely stranded with wire-end ferrules DIN 46228/4, max.	2.5 mm <sup>2</sup>
Conductor cross-section, flexible, AEH (DIN 46228-1), min.	0.5 mm <sup>2</sup>	Conductor cross-section, flexible, AEH (DIN 46228-1), max.	2.5 mm <sup>2</sup>
Wire connection cross section, finely stranded, two clampable wires, min.	0.5 mm <sup>2</sup>	Wire cross-section, finely stranded, two clampable wires, max.	1 mm <sup>2</sup>
Blade size	size PH1		

## Classifications

ETIM 6.0	EC001456	ETIM 7.0	EC001456
ETIM 8.0	EC001456	ECLASS 9.0	27-37-16-03
ECLASS 9.1	27-37-16-03	ECLASS 10.0	27-37-16-03
ECLASS 11.0	27-37-16-03		

## Important note

Product information	For this socket, a cross connection is not available.
	For this socket, markers are not available.

## Approvals

Approvals



ROHS	Conform
UL File Number Search	E355547

## Downloads

Approval/Certificate/Document of Conformity	<a href="#">EU Konformitätserklärung / EU Declaration of Conformity</a>
Engineering Data	<a href="#">CAD data – STEP</a>
Engineering Data	<a href="#">EPLAN, WSCAD</a>
Catalogues	<a href="#">Catalogues in PDF-format</a>
Brochures	

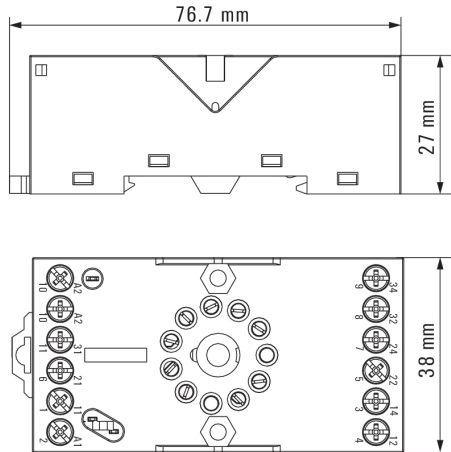
**SRD ECO 3CO**

**Weidmüller Interface GmbH & Co. KG**  
Klingenbergstraße 26  
D-32758 Detmold  
Germany

[www.weidmueller.com](http://www.weidmueller.com)

**Drawings**

**Dimensional drawing**



## SRD ECO 3CO

Weidmüller Interface GmbH &amp; Co. KG

Klingenbergstraße 26

D-32758 Detmold

Germany

www.weidmueller.com

## Mating connector (fully pluggable)

## 3 CO contacts



Individual relays within the D-SERIES DRR

- 3 CO contacts
- Optional AC or DC coils
- With integrated status LED

## General ordering data

Type	DRR373730L	Version
Order No.	<a href="#">2765360000</a>	D-SERIES DRR, Relay, Number of contacts: 3, CO contact AgSnO,
GTIN (EAN)	4064675076834	Rated control voltage: 230 V AC, Continuous current: 10 A, Plug-in
Qty.	10 pc(s).	connection, Test button available: No
Type	DRR370110L	Version
Order No.	<a href="#">1133440000</a>	D-SERIES DRR, Relay, Number of contacts: 3, CO contact AgCdO,
GTIN (EAN)	4032248952793	Rated control voltage: 110 V DC, Continuous current: 10 A, Plug-in
Qty.	10 pc(s).	connection, Test button available: No
Type	DRR370220L	Version
Order No.	<a href="#">1133560000</a>	D-SERIES DRR, Relay, Number of contacts: 3, CO contact AgCdO,
GTIN (EAN)	4032248952984	Rated control voltage: 220 V DC, Continuous current: 10 A, Plug-in
Qty.	10 pc(s).	connection, Test button available: No
Type	DRR370024L	Version
Order No.	<a href="#">1133420000</a>	D-SERIES DRR, Relay, Number of contacts: 3, CO contact AgCdO,
GTIN (EAN)	4032248952779	Rated control voltage: 24 V DC, Continuous current: 10 A, Plug-in
Qty.	10 pc(s).	connection, Test button available: No
Type	DRR373048L	Version
Order No.	<a href="#">2765080000</a>	D-SERIES DRR, Relay, Number of contacts: 3, CO contact AgSnO,
GTIN (EAN)	4064675077114	Rated control voltage: 48 V DC, Continuous current: 10 A, Plug-in
Qty.	10 pc(s).	connection, Test button available: No
Type	DRR373220L	Version
Order No.	<a href="#">2765200000</a>	D-SERIES DRR, Relay, Number of contacts: 3, CO contact AgSnO,
GTIN (EAN)	4064675076995	Rated control voltage: 220 V DC, Continuous current: 10 A, Plug-in
Qty.	10 pc(s).	connection, Test button available: No
Type	DRR370730L	Version
Order No.	<a href="#">1133830000</a>	D-SERIES DRR, Relay, Number of contacts: 3, CO contact AgCdO,
GTIN (EAN)	4032248953349	Rated control voltage: 230 V AC, Continuous current: 10 A, Plug-in
Qty.	10 pc(s).	connection, Test button available: No
Type	DRR373012L	Version
Order No.	<a href="#">2765060000</a>	D-SERIES DRR, Relay, Number of contacts: 3, CO contact AgSnO,
GTIN (EAN)	4064675077138	Rated control voltage: 12 V DC, Continuous current: 10 A, Plug-in
Qty.	10 pc(s).	connection, Test button available: No
Type	DRR370048L	Version
Order No.	<a href="#">1133430000</a>	D-SERIES DRR, Relay, Number of contacts: 3, CO contact AgCdO,
GTIN (EAN)	4032248952786	Rated control voltage: 48 V DC, Continuous current: 10 A, Plug-in
Qty.	10 pc(s).	connection, Test button available: No
Type	DRR373110L	Version
Order No.	<a href="#">2765090000</a>	D-SERIES DRR, Relay, Number of contacts: 3, CO contact AgSnO,
GTIN (EAN)	4064675077107	Rated control voltage: 110 V DC, Continuous current: 10 A, Plug-in
Qty.	10 pc(s).	connection, Test button available: No

Creation date March 12, 2022 11:24:30 AM CET

Catalogue status 11.02.2022 / We reserve the right to make technical changes.

Teslakala.com

## SRD ECO 3CO

**Weidmüller Interface GmbH & Co. KG**  
 Klingenbergstraße 26  
 D-32758 Detmold  
 Germany

www.weidmueller.com

## Mating connector (fully pluggable)

Type	DRR373615L	Version
Order No.	<a href="#">2765350000</a>	D-SERIES DRR, Relay, Number of contacts: 3, CO contact AgSnO,
GTIN (EAN)	4064675076841	Rated control voltage: 115 V AC, Continuous current: 10 A, Plug-in
Qty.	10 pc(s).	connection, Test button available: No
Type	DRR370524L	Version
Order No.	<a href="#">1133810000</a>	D-SERIES DRR, Relay, Number of contacts: 3, CO contact AgCdO,
GTIN (EAN)	4032248953325	Rated control voltage: 24 V AC, Continuous current: 10 A, Plug-in
Qty.	10 pc(s).	connection, Test button available: No
Type	DRR370615L	Version
Order No.	<a href="#">1133820000</a>	D-SERIES DRR, Relay, Number of contacts: 3, CO contact AgCdO,
GTIN (EAN)	4032248953332	Rated control voltage: 115 V AC, Continuous current: 10 A, Plug-in
Qty.	10 pc(s).	connection, Test button available: No
Type	DRR370012L	Version
Order No.	<a href="#">1133410000</a>	D-SERIES DRR, Relay, Number of contacts: 3, CO contact AgCdO,
GTIN (EAN)	4032248952762	Rated control voltage: 12 V DC, Continuous current: 10 A, Plug-in
Qty.	10 pc(s).	connection, Test button available: No
Type	DRR373524L	Version
Order No.	<a href="#">2765340000</a>	D-SERIES DRR, Relay, Number of contacts: 3, CO contact AgSnO,
GTIN (EAN)	4064675076858	Rated control voltage: 24 V AC, Continuous current: 10 A, Plug-in
Qty.	10 pc(s).	connection, Test button available: No
Type	DRR373024L	Version
Order No.	<a href="#">2765070000</a>	D-SERIES DRR, Relay, Number of contacts: 3, CO contact AgSnO,
GTIN (EAN)	4064675077121	Rated control voltage: 24 V DC, Continuous current: 10 A, Plug-in
Qty.	10 pc(s).	connection, Test button available: No

**SRD ECO 3CO**

**Weidmüller Interface GmbH & Co. KG**  
 Klingenbergstraße 26  
 D-32758 Detmold  
 Germany

www.weidmueller.com

**Accessories**

**Crosshead screwdriver Phillips**



Crosshead screwdriver, Phillips, SDK PH DIN 5262, ISO 8764/2-PH, output to ISO 8764-PH, ChromTop tip, SoftFinish grip

**General ordering data**

Type	SDK PH1 X 80	Version
Order No.	<a href="#">2749410000</a>	Screwdriver, Blade length: 80 mm
GTIN (EAN)	4050118895636	
Qty.	1 pc(s).	

**Retaining clips**



Retaining clip for D-SERIES DRR relays  
 • Metal retaining clip

**General ordering data**

Type	DRR CLIP M	Version
Order No.	<a href="#">1134160000</a>	D-SERIES DRR, Retaining clip
GTIN (EAN)	4032248953479	
Qty.	10 pc(s).	

**SRD ECO 3CO**

**Weidmüller Interface GmbH & Co. KG**  
 Klingenbergstraße 26  
 D-32758 Detmold  
 Germany

www.weidmueller.com

**Accessories**

**Protection modules**



Pluggable protective modules for the D-SERIES relay sockets, with optional protective functions.

- With free-wheeling diode or RC filter

**General ordering data**

Type	RIM 5 6/230VDC	Version
Order No.	<a href="#">1174650000</a>	D-SERIES, Free-wheeling diode, Rated control voltage: 6...230 V DC,
GTIN (EAN)	4032248971305	Plug-in connection
Qty.	10 pc(s).	
Type	RIM 5 6/230VAC	Version
Order No.	<a href="#">1174670000</a>	D-SERIES, RC filter, Rated control voltage: 6...230 V AC, Plug-in
GTIN (EAN)	4032248971312	connection
Qty.	10 pc(s).	

**Crosshead screwdriver, Phillips**



VDE insulated screwdriver sets, for working on live parts up to 1000 V AC and 1500 V DC, DIN EN 60900. IEC 900. Each piece is "GS" safety tested. Blade made from fully hardened, high-alloy chromium-vanadium-molybdenum steel, gun-metal finish.

**General ordering data**

Type	SDIK SLIM PH1 X 80	Version
Order No.	<a href="#">2749650000</a>	Mounting tool, Blade length: 80 mm
GTIN (EAN)	4050118896398	
Qty.	1 pc(s).	



**Data sheet****SRD ECO 3CO**

**Weidmüller Interface GmbH & Co. KG**  
Klingenbergstraße 26  
D-32758 Detmold  
Germany

[www.weidmueller.com](http://www.weidmueller.com)

**Accessories****Crosshead screwdriver Phillips**

VDE insulated crosshead screwdriver, for Phillips screws, SDIK PH DIN 7438, ISO 8764/2-PH, output to ISO 8764-PH, SoftFinish grip

**General ordering data**

Type	SDIK PH1 X 80	Version
Order No.	<a href="#">2749890000</a>	Screwdriver, Blade length: 80 mm
GTIN (EAN)	4050118897098	
Qty.	1 pc(s).	