

The Complete Range

Easy mounting
onto supporting rails



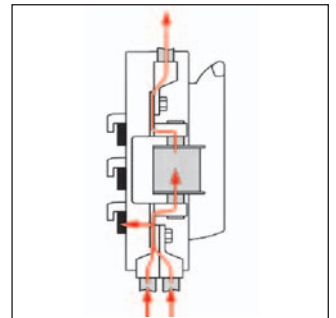
Protection against accidental
contact in the standart version

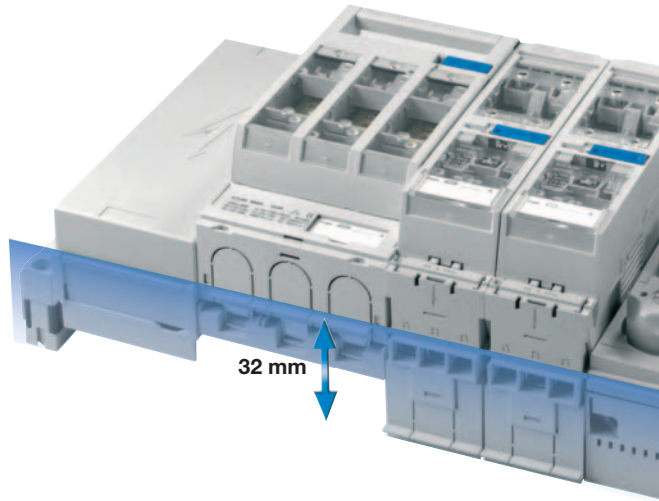


Perforated versions
for connections

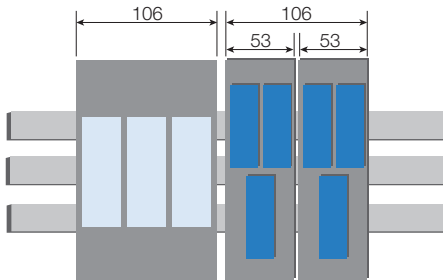


Drawing of the NH Fuse-Switch,
3-pole switching, horizontal
design for busbar supply
on a 60 mm busbar systems





Saves space



Content

NH Fuse-Switches NT-SILAS, horizontal design, 3-pole switching

NH Fuse-Switches SILAS for baseplate mounting	128
NH Fuse-Switches SILAS for busbar mounting 40/12	129
NH Fuse-Switches SILAS for busbar mounting 60	130
NH Fuse-Switches SILAS for busbar mounting 100	131
NH Fuse-Switches SILAS Accessories	132
Technical data	see page 135

System

All switches from size 000, the smallest NH Fuse-Switch, horizontal design, currently available on the market, to size 3. All devices have the same installation depth and a perfect protection against accidental contact. The wide range of accessories offers all users a high level of possibilities for modification. The ideally harmonized sizes and matching accessories as well as a consistent design make the NT-SILAS series one of the most cutting-edge products on the market.

Features

The product-line NT-SILAS offers new solutions for the application of NH Fuse-Switches, horizontal design, in power distribution cabinets. The intention was to develop a modular system with high safety standards and easy-to-install busbar mounting.

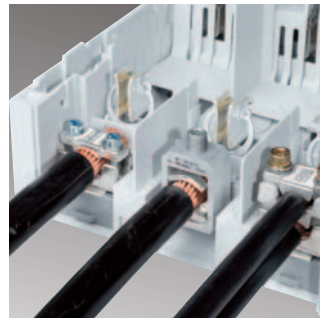
rotatable hooks
(Variable selection of cable terminal on either top or bottom)



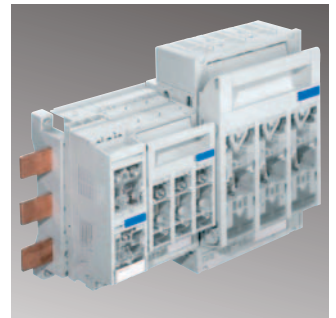
Fuse monitoring
(electronical or mechanical)



A large range of connection possibilities



Perfect protection



NH Fuse-Switches SILAS

NH Fuse-Switches, horizontal design, series SILAS offer with her continius desing and the great range of accessories a solution for all applications.

For more information see page **135**



34076.0000

NH Fuse-Switches horizontal design, 690 V AC, 3-pole switching for baseplate mounting

Properties:

- Optimum labeling
- Integrated hand protection
- Easy and fast mounting on supporting rails possible

Description	Size	Amps	Order-No.	PU	PG	Sur. Ag	Sur. Cu	Price €/pc.
Box terminal 2,5 - 50 mm ²	000	100	34040.0007	1	NT SILAS	0,007	0,018	53,00
Box terminal 2,5 - 95 mm ²	00	160	34076.0000	1	NT SILAS	0,001	0,015	56,00
Multiple use terminal (screw M8)	00	160	34077.0000	1	NT SILAS	0,009	0,015	53,00
Multiple use terminal (screw M10)	1	250	34170.0000	1	NT SILAS	0,021	0,029	144,00
Box terminal 35 - 150 mm ²	1	250	34175.0000	1	NT SILAS	0,022	0,030	205,00
Multiple use terminal (screw M10)	2	400	34270.0000	1	NT SILAS	0,034	0,100	194,00
Box terminal 95 - 300 mm ²	2	400	34275.0000	1	NT SILAS	0,034	0,100	287,00
Multiple use terminal (screw M10)	3	630	34370.0000	1	NT SILAS	0,043	0,106	249,00
Box terminal 95 - 300 mm ²	3	630	34375.0000	1	NT SILAS	0,043	0,106	330,00



34170.0130

NH Fuse-Switches horizontal design, 690 V AC, 3-pole switching for baseplate mounting

Properties:

- With electronical fuse monitoring
- No auxiliary power supply requiered
- Indepent of supply side

Description	Size	Amps	Order-No.	PU	PG	Sur. Ag	Sur. Cu	Price €/pc.
Box terminal 2,5 - 50 mm ²	000	100	34040.0137	1	NT SILAS	0,007	0,018	210,00
Box terminal 2,5 - 95 mm ²	00	160	34076.0130	1	NT SILAS	0,018	0,015	213,00
Multiple use terminal (screw M8)	00	160	34077.0130	1	NT SILAS	0,009	0,015	210,00
Multiple use terminal (screw M10)	1	250	34170.0130	1	NT SILAS	0,022	0,030	303,00
Box terminal 35 - 150 mm ²	1	250	34175.0130	1	NT SILAS	0,022	0,030	363,00
Multiple use terminal (screw M10)	2	400	34270.0130	1	NT SILAS	0,034	0,100	351,00
Box terminal 95 - 300 mm ²	2	400	34275.0130	1	NT SILAS	0,034	0,100	437,00
Multiple use terminal (screw M10)	3	630	34370.0130	1	NT SILAS	0,043	0,106	406,00
Box terminal 95 - 300 mm ²	3	630	34375.0130	1	NT SILAS	0,043	0,106	480,00



34170.0030

NH Fuse-Switches horizontal design, 690 V AC, 3-pole switching for baseplate mounting

Properties:

- With mechanical fuse monitoring
- Monitoring of status of all fuses
- Indepent of supply side

Description	Size	Amps	Order-No.	PU	PG	Sur. Ag	Sur. Cu	Price €/pc.
Box terminal 2,5 - 95 mm ²	00	160	34076.0030	1	NT SILAS	0,019	0,016	278,00
Multiple use terminal (screw M8)	00	160	34077.0030	1	NT SILAS	0,009	0,015	273,00
Multiple use terminal (screw M10)	1	250	34170.0030	1	NT SILAS	0,021	0,029	360,00
Box terminal 35 - 150 mm ²	1	250	34175.0030	1	NT SILAS	0,021	0,029	413,00
Multiple use terminal (screw M10)	2	400	34270.0030	1	NT SILAS	0,034	0,100	413,00
Box terminal 95 - 300 mm ²	2	400	34275.0030	1	NT SILAS	0,034	0,100	491,00
Multiple use terminal (screw M10)	3	630	34370.0030	1	NT SILAS	0,043	0,106	458,00
Box terminal 95 - 300 mm ²	3	630	34375.0030	1	NT SILAS	0,043	0,106	531,00

NH Fuse-Switches SILAS

The NH Fuse-Switches for busbar mounting offers a lot of detailed solutions, for example the equal installation depth and the easy changing of the terminal side.

For more information
see page 135



39000.0007

NH Fuse-Switches horizontal design, 690 V AC, 3-pole switching for busbar systems 40 mm, installation depth 70 mm

Description	Size	Amps	Order-No.	PU	PG	Sur. Ag	Sur. Cu	Price €/pc.
Box terminal 2,5 - 50 mm ² , Cable terminal bottom	000	100	39000.0007	1	NT SILAS	0,010	0,019	78,00
Box terminal 2,5 - 50 mm ² , Cable terminal top	000	100	39001.0007	1	NT SILAS	0,010	0,019	78,00
Box terminal 2,5 - 95 mm ²	00	160	39020.0000	1	NT SILAS	0,017	0,023	80,00
Multiple use terminal (screw M8)	00	160	39021.0000	1	NT SILAS	0,001	0,022	78,00
Multiple use terminal (screw M10)	1	250	39060.0000	1	NT SILAS	0,016	0,042	223,00
Box terminal 35 - 150 mm ²	1	250	39061.0000	1	netto	0,117	0,034	284,00
Multiple use terminal (screw M10)	2	400	39078.0000	1	NT SILAS	0,034	0,117	255,00
Box terminal 95 - 300 mm ²	2	400	39079.0000	1	NT SILAS	0,034	0,117	316,00



39000.0137

NH Fuse-Switches 690 V AC, 3-pole switching for busbar systems 40 mm, installation depth 70 mm

Properties:

- With electronical fuse monitoring

Description	Size	Amps	Order-No.	PU	PG	Sur. Ag	Sur. Cu	Price €/pc.
Box terminal 2,5 - 50 mm ² , Cable terminal bottom	000	100	39000.0137	1	NT SILAS	0,009	0,015	295,00
Box terminal 2,5 - 50 mm ² , Cable terminal top	000	100	39011.0007	1	NT SILAS	0,009	0,015	78,00
Box terminal 2,5 - 95 mm ²	00	160	39020.0130	1	NT SILAS	0,017	0,023	252,00
Multiple use terminal (screw M8)	00	160	39021.0130	1	NT SILAS	0,017	0,023	235,00
Multiple use terminal (screw M10)	1	250	39060.0130	1	NT SILAS	0,016	0,042	346,00
Box terminal 35 - 150 mm ²	1	250	39061.0130	1	NT SILAS	0,016	0,042	355,00
Multiple use terminal (screw M10)	2	400	39078.0130	1	NT SILAS	0,034	0,017	382,00
Box terminal 95 - 300 mm ²	2	400	39079.0130	1	NT SILAS	0,034	0,117	423,00



39079.0030

NH Fuse-Switches horizontal design, 690 V AC, 3-pole switching for busbar systems 40 mm, installation depth 70 mm

Properties:

- With mechanical fuse monitoring
- Monitoring of status of all fuses
- Independent of supply side

Description	Size	Amps	Order-No.	PU	PG	Sur. Ag	Sur. Cu	Price €/pc.
Multiple use terminal (screw M8)	00	160	39020.0030	1	NT SILAS	0,017	0,023	299,00
Multiple use terminal (screw M8)	00	160	39021.0030	1	NT SILAS	0,017	0,023	300,00
Multiple use terminal (screw M10)	1	250	39060.0030	1	NT SILAS	0,016	0,042	402,00
Box terminal 35 - 150 mm ²	1	250	39061.0030	1	NT SILAS	0,016	0,042	410,00
Multiple use terminal (screw M10)	2	400	39078.0030	1	NT SILAS	0,034	0,117	437,00
Box terminal 95 - 300 mm ²	2	400	39079.0030	1	NT SILAS	0,034	0,117	477,00

NH Fuse-Switches SILAS

The NH Fuse-Switches, horizontal design, series SILAS offers a lot of advantage by mounting onto busbar systems.

- rotating hook contacting for terminal top or bottom
- smallest device worldwide by size 000
- standart high for the field cover by all sizes

For more information see page **135**



39040.0000

NH-Fuse-Switches horizontal design, 690 V AC, 3-pole switching for busbar systems 60 mm, installation depth 32 mm

Description	Size	Amps	Order-No.	PU	PG	Sur. Ag	Sur. Cu	Price €/pc.
Box terminal 2,5 - 50 mm ² , Cable terminal bottom	000	100	39010.0007	1	NT SILAS	0,009	0,015	78,00
Box terminal 2,5 - 50 mm ² , Cable terminal top	000	100	39011.0007	1	NT SILAS	0,009	0,015	78,00
Box terminal 2,5 - 95 mm ²	00	160	39040.0000	1	NT SILAS	0,016	0,024	80,00



39050.0000

NH Fuse-Switches horizontal design, 690 V AC, 3-pole switching for busbar systems 60 mm, installation depth 70 mm, hook contacting

Description	Size	Amps	Order-No.	PU	PG	Sur. Ag	Sur. Cu	Price €/pc.
Box terminal 2,5 - 50 mm ² , Cable terminal bottom	000	100	39010.0007	1	NT SILAS	0,009	0,015	78,00
Box terminal 2,5 - 50 mm ² , Cable terminal top	000	100	39011.0007	1	NT SILAS	0,009	0,015	78,00
Box terminal 2,5 - 95 mm ²	00	160	39050.0000	1	NT SILAS	0,013	0,020	80,00
Multiple use terminal (screw M8)	00	160	39052.0000	1	NT SILAS	0,013	0,020	78,00
Multiple use terminal (screw M10)	1	250	39064.0000	1	NT SILAS	0,016	0,044	223,00
Box terminal 35 - 150 mm ²	1	250	39068.0000	1	NT SILAS	0,016	0,044	231,00
Box terminal 35 - 150 mm ²	1	400	39074.0000	1	NT SILAS	0,034	0,010	300,00
Multiple use terminal (screw M10)	2	400	39070.0000	1	NT SILAS	0,034	0,100	255,00
Box terminal 35 - 150 mm ²	1	630	39084.0000	1	NT SILAS	0,038	0,014	332,00
Multiple use terminal (screw M10)	3	630	39080.0000	1	NT SILAS	0,038	0,144	315,00



39040.0130

NH Fuse-Switches horizontal design, 690 V AC, 3-pole switching for busbar systems 60 mm, installation depth 32 mm

Properties:

- With electronical fuse monitoring
- No auxiliary power supply requiered
- Indepent of supply side

Description	Size	Amps	Order-No.	PU	PG	Sur. Ag	Sur. Cu	Price €/pc.
Box terminal 2,5 - 50 mm ² , Cable terminal bottom	000	100	39010.0137	1	NT SILAS	0,009	0,015	235,00
Box terminal 2,5 - 50 mm ² , Cable terminal top	000	100	39011.0137	1	NT SILAS	0,010	0,017	235,00
Box terminal 2,5 - 95 mm ²	00	160	39040.0130	1	NT SILAS	0,016	0,024	235,00

NH Fuse-Switches SILAS

 For more information
 see page **135**


39080.0130

NH Fuse-Switches horizontal design, 690 V AC, 3-pole switching for busbar systems 60 mm, installation depth 70 mm
Properties:

- with electronical fuse monitoring

Description	Size	Amps	Order-No.	PU	PG	Sur. Ag	Sur. Cu	Price €/pc.
Box terminal 2,5 - 50 mm ² , Cable terminal bottom	000	100	39010.0137	1	NT SILAS	0,009	0,015	235,00
Box terminal 2,5 - 50 mm ² , Cable terminal top	000	100	39011.0137	1	NT SILAS	0,010	0,017	235,00
Box terminal 35 - 95 mm ²	00	160	39050.0130	1	NT SILAS	0,013	0,020	238,00
Multiple use terminal (screw M8)	00	160	39052.0130	1	NT SILAS	0,013	0,020	235,00
Multiple use terminal (screw M10)	1	250	39064.0130	1	NT SILAS	0,016	0,044	383,00
Box terminal 35 - 150 mm ²	1	250	39068.0130	1	NT SILAS	0,016	0,044	444,00
Multiple use terminal (screw M10)	2	400	39070.0130	1	NT SILAS	0,034	0,121	415,00
Box terminal 95 - 300 mm ²	2	400	39074.0130	1	NT SILAS	0,034	0,121	476,00
Multiple use terminal (screw M10)	3	630	39080.0130	1	NT SILAS	0,038	0,144	475,00
Box terminal 95 - 300 mm ²	3	630	39084.0130	1	NT SILAS	0,038	0,144	536,00



39068.0030

NH Fuse-Switches horizontal design, 690 V AC, 3-pole switching for busbar systems 60 mm, installation depth 70 mm
Properties:

 - With mechanical fuse monitoring
 - Monitoring of status of all fuses
 - Independent of supply side

Description	Size	Amps	Order-No.	PU	PG	Sur. Ag	Sur. Cu	Price €/pc.
Box terminal 2,5 - 95 mm ²	00	160	39050.0030	1	NT SILAS	0,013	0,020	295,00
Multiple use terminal (screw M8)	00	160	39052.0030	1	NT SILAS	0,013	0,020	294,00
Multiple use terminal (screw M10)	1	250	39064.0030	1	NT SILAS	0,016	0,044	423,00
Box terminal 35 - 150 mm ²	1	250	39068.0030	1	NT SILAS	0,016	0,044	428,00
Multiple use terminal (screw M10)	2	400	39070.0030	1	NT SILAS	0,034	0,100	498,00
Box terminal 95 - 300 mm ²	2	400	39074.0030	1	NT SILAS	0,034	0,100	502,00
Multiple use terminal (screw M10)	3	630	39080.0030	1	NT SILAS	0,038	0,144	549,00
Box terminal 95 - 300 mm ²	3	630	39084.0030	1	NT SILAS	0,038	0,144	552,00

NH Fuse-Switches SILAS for busbar supply 60 mm

 For more information
 see page **135**


39086.0000

NH Fuse-Switches horizontal design, 690 V AC, 3-pole switching for busbar system 60 mm with hook contacting for busbar supply

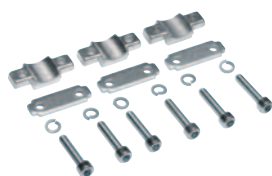
Description	Size	Amps	Order-No.	PU	PG	Sur. Ag	Sur. Cu	Price €/pc.
Multiple use terminal (screw M10)	1	250	39086.0000	1	NT SILAS	0,014	0,076	229,00
Multiple use terminal (screw M10)	2	400	39087.0000	1	NT SILAS	0,034	0,100	262,00

NH Fuse-Switches SILAS

Accessories

With these multifunctional accessorye you have the possibility to modify the device to all applications.

For more information see page **135**



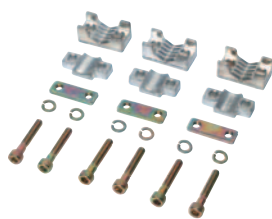
36934.0010

Pressure plates for Cu conductors, se, sm and laminated cooper

Properties:

- Easy supplementation for the connection of Cu conductors, se, sm und laminated copper
- 1 Set = 3 pcs.

Description	Size	Amps	Order-No.	PU	PG	Sur. Ag	Sur. Cu	Price €/pc.
6 - 50 mm ²	00		36934.0010	1	NT SILAS			2,30
70 - 150 mm ²	1		36936.0010	1	NT SILAS			19,00
120 - 240 mm ²	2		36997.0010	1	NT SILAS			32,00
150 - 300 mm ²	3		36981.0010	1	NT SILAS			68,00



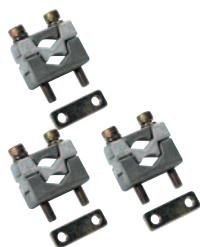
36975.0010

Contact prism for copper and aluminium conductors

Properties:

- Easy supplementation for the connection of Cu- and Al conductors
- 1 Set = 3 pcs.

Description	Size	Amps	Order-No.	PU	PG	Sur. Ag	Sur. Cu	Price €/pc.
6 - 70 mm ²	00		36975.0010	1	NT SILAS			7,40
70 - 150 mm ²	1		36942.0010	1	NT SILAS			39,00
120 - 240 mm ²	2		36943.0010	1	NT SILAS			62,00
150 - 300 mm ²	3		36981.0010	1	NT SILAS			68,00



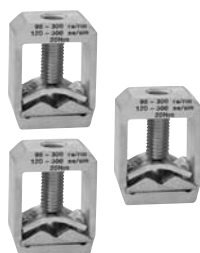
36982.0010

Contact prism for two copper and aluminium conductors

Properties:

- Easy supplementation for the connection of 2 Cu- and Al conductors
- 1 Set = 3 pcs.

Description	Size	Amps	Order-No.	PU	PG	Sur. Ag	Sur. Cu	Price €/pc.
2 x 35 - 70 mm ²	1		36982.0010	1	NT SILAS			82,00
2 x 70 - 120 mm ²	2		36983.0010	1	NT SILAS			94,00
2 x 150 - 185 mm ²	3		36984.0010	1	NT SILAS			106,00



36994.0010

Box terminal

Properties:

- 1 Set = 3 pcs.

Description	Size	Amps	Order-No.	PU	PG	Sur. Ag	Sur. Cu	Price €/pc.
35 - 150 mm ²	1	250	36992.0010	1	NT SILAS			16,00
95 - 300 mm ²	2 - 3	400-630	36994.0010	1	NT SILAS			21,00



36953.0010

Add-on-kit AC 23, size 1-3 SILAS

Description	Size	Amps	Order-No.	PU	PG	Sur. Ag	Sur. Cu	Price €/pc.
Add-on kit AC23 for size 1-3 SILAS (1 Set = 3 pcs.)	1-3		36953.0010	1	netto			on demand



36954.0010

Terminal cover

Properties:

- To add for more protection against touching of live parts

Description	Size	Amps	Order-No.	PU	PG	Sur. Ag	Sur. Cu	Price €/pc.
Terminal cover, small version	000		36954.0010	1	NT SILAS			2,10
Terminal cover	00		36935.0010	1	NT SILAS			2,25
Terminal cover	1		36960.0010	1	NT SILAS			5,15
Terminal cover	2		36950.0010	1	NT SILAS			6,20
Terminal cover	3		36952.0010	1	NT SILAS			8,30

With these multifunctional accessory
you have the possibility to modify
the device to all applications.



36962.0010

Support profile
Properties:

- laterally attachable

Description	Size	Amps	Order-No.	PU	PG	Sur. Ag	Sur. Cu	Price €/pc.
Support profile	000		36962.0010	1	NT SILAS			2,10
Support profile	00		36941.0010	1	NT SILAS			2,35
Support profile	1-3		36940.0010	1	NT SILAS			3,00

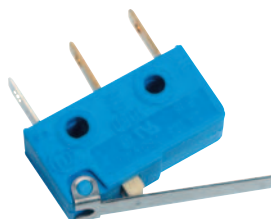


36937.0010

Quick fixing set
Properties:

- for use on 2 supporting rails for spacing 125 or 150 mm by size 1

Description	Size	Amps	Order-No.	PU	PG	Sur. Ag	Sur. Cu	Price €/pc.
Quick fixing set for size 000, small version	000		36949.0010	1	NT SILAS			4,15
Quick fixing set for supporting rails, distance 125 or 150 mm	00-1	160-250	36937.0010	1	NT SILAS			5,25

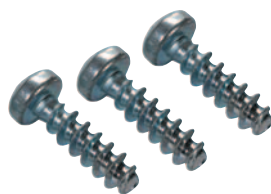


36959.0060

Micro switch for position indicating
Properties:

- for position indicating

Description	Size	Amps	Order-No.	PU	PG	Sur. Ag	Sur. Cu	Price €/pc.
Micro switch, small version	000		36959.0010	1	NT SILAS			7,35
Micro switch	1-3		36959.0060	1	NT SILAS			7,35



36969.0010

Locking window
Properties:

- protection vs. power theft

Description	Size	Amps	Order-No.	PU	PG	Sur. Ag	Sur. Cu	Price €/pc.
protection vs. power theft, Size 000-3 SILAS	000-3		36969.0010	1				on demand



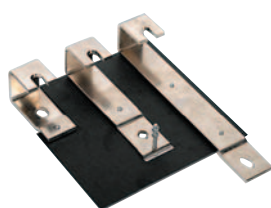
36988.0010

Terminal extension
Properties:

- for installation depth of 32 mm

- 1 Set = 3 pcs.

Description	Size	Amps	Order-No.	PU	PG	Sur. Ag	Sur. Cu	Price €/pc.
Terminal extension	1		36988.0010	1	NT SILAS			9,35
Terminal extension	2		36989.0010	1	NT SILAS			14,00
Terminal extension	3		36990.0010	1	NT SILAS			18,00



36985.0010

Busbar adapter
Properties:

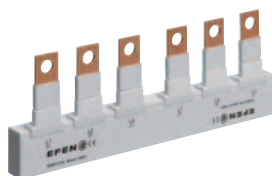
- for busbar systems 100 mm

Description	Size	Amps	Order-No.	PU	PG	Sur. Ag	Sur. Cu	Price €/pc.
Busbar adapter	1		36985.0010	1	NT SILAS		0,083	114,00
Busbar adapter	2		36986.0010	1	NT SILAS		0,082	119,00
Busbar adapter	3		36987.0010	1	NT SILAS		0,110	124,00

The feeding devices from EFEN are an high quality supplementary for the NH Fuse-Switches, horizontal design and offers

- Easy and safety connection methode
- Fast mounting
- Reduce wiring

For more information see page **135**



90280.0100

Feeding devices

Proberities:

- Easy and safety connection methode
- Fast mounting
- Reduce wiring

Description	Size	Amps	Order-No.	PU	PG	Sur. Ag	Sur. Cu	Price €/pc.
Feeding device 2 X SILAS NH000	000		90276.0100	4	NT SILAS			on demand
Feeding device 3 X SILAS NH000	000		90276.0200	4	NT SILAS			on demand
Feeding device 4 X SILAS NH000	000		90276.0300	4	NT SILAS			on demand
Feeding device 5 X SILAS NH000	000		90276.0400	4	NT SILAS			on demand
Feeding clamp 25 - 95 mm ² RM/SM SILAS NH000	000		90277.0100	3	NT SILAS			on demand
Feeding device for 2 switches	00		90280.0100	4	NT SILAS			on demand
Feeding device for 3 switches	00		90280.0200	4	NT SILAS			on demand
Feeding device for 4 switches	00		90280.0300	4	NT SILAS			on demand
Feeding device for 5 switches	00		90280.0400	4	NT SILAS			on demand

Product range overview

	Size 000	Size 00	Size 1	Size 2	Size 3
Base plate mounting	•	•	•	•	•
Busbar system 40/12 mm	•	•	•	•	
Busbar system 60 mm	•	•	•	•	•
Busbar system 100 mm			•	•	•
Supporting rail mounting	•	•	•		
Bracing profile, lateral	•	•	•	•	•
Terminal housing cover	•	•	•	•	•
Clamp connector for Cu conductors		•	•	•	•
Prism terminal for Cu/Al conductors		•	•	•	•
Prism terminal for 2 conductors CU/AL			•	•	•
Box terminal	•	•	•	•	•
Position indicating	•	•	•	•	•
Electronic fuse monitoring	•	•	•	•	•
Electro-mechanical fuse monitoring		•	•	•	•
Locking window	•	•	•	•	•
Horizontal installation	•	•	•	•	•

Technical Data acc. to VDE 0660 T107/EN/IEC 60947-3

For NH Fuse-Links acc. to VDE 0636 T201	Size	000	00	1	2	3
Rated operational current I_n	A	100	160	250	400	630
Conventional free air thermic current I_{th}	A	100	160	250	400	630
Rated operational voltage U_n	V	690				
Rated insulation voltage U_i	V	1000				
Rated impuls withstand voltage U_{imp}	kV	6	8			
Rated conditional short circuit current (when protected by NH Fuse-Links)	kA	80	80	80	50	80
Mechanical durability	Cycles	2000	1600	1600	1000	1000
Permissible ambient temperature	-25°C up to +55°C					
Degree of protection DIN/EN 60529/VDE 0470 T1	IP 3X					
Maximum power dissipation of the NH Fuse-Links	W	7,5	12	23	34	48
Weight without NH Fuse-Links	kg	0,54	0,84	2,2	3,6	4,1

Conductor types and -sizes

Type of Terminal	Conductor Type		NH 000	NH 00	NH 1	NH 2	NH 3	Grösse
Multiple use terminal (screw terminal)			-	M8	M10	M10	M10	
Pressure plates with screws	CU	re	-	6-50	70-150	-	-	mm ²
		rm/sm	-	6-25	6- 50	6-70	6-70	
Pressure plate with screws and contact prism	CU	re/rm/	-	6-70	70-150	120-240	150-300	mm ²
	AL	se/sm						
Pressure plate with screws and contact prism for two conductors	CU	rm/se/	-	-	2x35-70	2x70-120	2x150	mm ²
	AL	sm						
Box terminal	CU	rm/re	2,5-50	2,5-95	35-150	95-300	95-300	mm ²
		se/sm	-	-	50-150	120-300	120-300	
	AL	rm/re	-	-	35-150	95-300	95-300	
		se/sm	-	-	50-150	120-300	120-300	
Triple terminal	CU	re	-	1,5-10	-	-	-	mm ²
		rm	-	10-16	-	-	-	
Flat conductor					1 x20	8 x32	8 x32	
					15x20	20x32	20x32	

Tightening torques for terminal and busbar mounting

Size	NH 000	NH 00	NH 1	NH 2	NH 3
Type of Terminal	Tightening torques Nm				
Multiple use terminal (screw terminal)	-	12	20	20	20
Pressure plates with screws	-	3	6	8	8
Pressure plate with screws and contact prism	-	3	6	8	8
Busbar contacting	4,5	6	6	8	8
Box terminal	4,5	4,5	12	20	20

Connection of two cable lugs

Size	16 mm ²	25 mm ²	35 mm ²	50 mm ²	70 mm ²	95 mm ²	120 mm ²	150 mm ²	185 mm ²	240 mm ²	300 mm ²
00	2 x	2 x	2 x	2 x							
1	2 x	2 x	2 x	2 x	2 x	2 x	2 x	2 x	2 x		
2								2 x	2 x	2 x	2 x
3								2 x	2 x	2 x	2 x

For verification of this table, cable lugs according to DIN 46235 were used. Other common cable lugs may have different dimensions, but are most likely connectable.

Electronic Fuse-Monitoring

- Indication of fault-free operation by green LED
- Fault-indication by red LED
- No auxiliary power supply required
- Remote indication via 4-pole plug by 1 n/o and one n/c switch
- Monitoring of all fuses; red LED flashes in case of failure
- Automatic reset after replacement of defective fuse(s)
- Independent of supply side

Technical details	
Rated operational voltage U_e	AC 400 V – AC 500 V 50/60 Hz / DC 220 V
Rated insulation voltage U_i	800 V
Rated impuls withstand voltage U_{imp}	3 kV
Rated conditional short circuit current (with protection by NH-fuses)	50 kA
Permissible ambient temperatur	-20 up to +55 °C
Rated frequency	< 0,5 s
Delay time	voltage drop
Function	Operation voltage indication: green LED Fuse-Link released: red LED
Display elements	Relais with opening and making contact. Secure isolation from supply acc. EN 50178
Alarm output	AC 250 V/DC 30 V max. 5 A

Mechanical fuse monitoring with circuit breaker

- Indication: „I“ position – ready for operation
„0“ position – fault-function
- Remote indication via 4-pole connector by 1 n/o and one n/c switch
- No auxiliary power supply required
- Monitoring of status of all fuses

Technical details				
Rated operational voltage U_e	AC 24 V–AC 690 V / 50/60 Hz / DC 24 V – DC 250 V			
Rated insulation voltage U_i	690 V			
Rated impuls withstand voltage U_{imp}	6 kV			
Rated conditional short circuit current (with protection by NH-fuses)	50 kA			
Permissible ambient temperatur	-20 up to +55 °C			
Delay time	< 0,5 s			
Function	up 25 V voltage drop			
Display elements	Ready for operation: handle display “I”, Fault message: handle display “0”			
Alarm output	Auxiliary switch 1 opening + 1 making contact			
Rated voltage	AC 24 V	AC 230 V	DC 24 V	DC 60 V
Rated current	2A	0,5A	1A	0,15A

NH Fuse-Switches SILAS

Technical data

The feeder fuse switch SILAS has additional terminals.
Therefore you can feeder a busbar system 60 mm and additional fuse outlets.

- cost-efficient
- space-saving
- direct assembly on busbars without drilling
- Size 1 and 2 for 60 mm busbar-systems

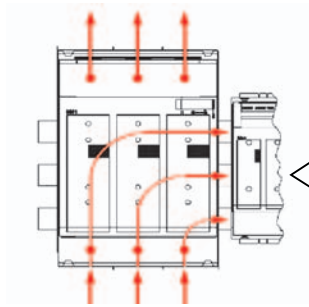
Description	Size	Amps I _n	Order no.	Description	Pack	Weight in kg
screw terminal M10	1	250	39086.0000	SILAS SE NH1 60 EB70 U2U2	1	2,3
screw terminal M10	2	400	39087.0000	SILAS SE NH2 60 EB70 U2U2	1	3,6

NH Fuse-Switches SILAS

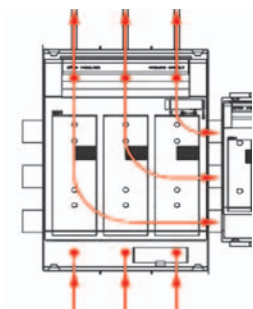
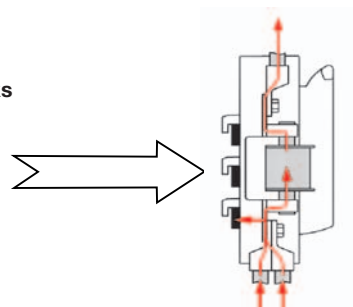
Dimensions drawings

busbar feeder

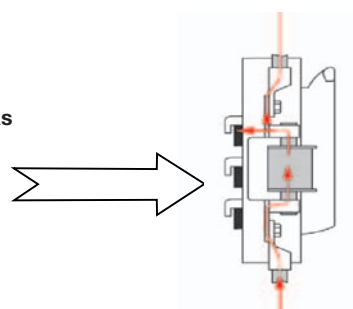
Additional fuse outlets



Feeder without NH Fuse-Links
 250A SILAS 1
 400A SILAS 2
 Feeder
 max. 500A SILAS 1
 max. 800A SILAS 2



Feeder without NH Fuse-Links
 125A SILAS 1
 200A SILAS 2
 Feeder
 max. 250A SILAS 1
 max. 400A SILAS 2



NT-SILAS

for baseplate mounting

Description	Size	Amps I _n	Order no.	Description	Pack	Weight in kg
with Box terminal rm/re 50 mm ²	000	100A	34040.0007	SILAS NH000 R4R4	1	0,4
Multiple use terminal (screw M8)	00	160A	34077.0000	SILAS NH00 U5U5	1	0,6
with Box terminal rm/re 95 mm ²	00	160A	34076.0000	SILAS NH00 R5R5	1	0,6
Multiple use terminal (screw M10)	1	250A	34170.0000	SILAS NH1 U2U2	1	2,0
with Box terminal rm/re 150 mm ²	1	250A	34175.0000	SILAS NH1 RR	1	2,2
Multiple use terminal (screw M10)	2	400A	34270.0000	SILAS NH2 U2U2	1	3,0
with Box terminal rm/re 300 mm ²	2	400A	34275.0000	SILAS NH2 RR	1	3,6
Multiple use terminal (screw M10)	3	630A	34370.0000	SILAS NH3 U2U2	1	3,5
with Box terminal rm/re 300 mm ²	3	630A	34375.0000	SILAS NH3 RR	1	4,0

for baseplate mounting with electronic fuse monitoring up to 500V AC

Description	Size	Amps I _n	Order no.	Description	Pack	Weight in kg
with Box terminal rm/re 50 mm ²	000	100A	34040.0137	SILAS NH000 ESF MA R4R4	1	0,5
Multiple use terminal (screw M8)	00	160A	34077.0130	SILAS NH00 ESF MA U5U5	1	0,7
with Box terminal rm/re 95 mm ²	00	160A	34076.0130	SILAS NH00 ESF MA R5R5	1	0,7
Multiple use terminal (screw M10)	1	250A	34170.0130	SILAS NH1 ESF MA U2U2	1	2,1
with Box terminal rm/re 150 mm ²	1	250A	34175.0130	SILAS NH1 ESF MA RR	1	2,2
Multiple use terminal (screw M10)	2	400A	34270.0130	SILAS NH2 ESF MA U2U2	1	3,1
with Box terminal rm/re 300 mm ²	2	400A	34275.0130	SILAS NH2 ESF MA RR	1	3,7
Multiple use terminal (screw M10)	3	630A	34370.0130	SILAS NH3 ESF MA U2U2	1	3,6
with Box terminal rm/re 300 mm ²	3	630A	34375.0130	SILAS NH3 ESF MA RR	1	4,1

Dimension drawings of fuse monitoring on page 143

for baseplate mounting with electro-mechanical fuse monitoring up to 690V

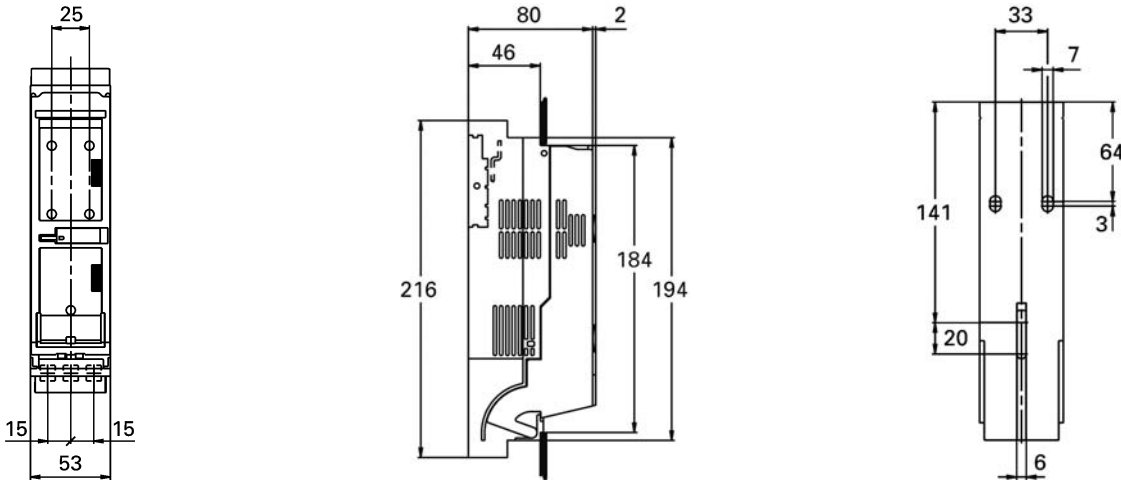
Description	Size	Amps I _n	Order no.	Description	Pack	Weight in kg
Multiple use terminal (screw M8)	00	160A	34077.0030	SILAS NH00 SN U5U5	1	1,0
with Box terminal rm/re 95 mm ²	00	160A	34076.0030	SILAS NH00 SN R5R5	1	1,0
Multiple use terminal (screw M10)	1	250A	34170.0030	SILAS NH1 SN U2U2	1	2,4
with Box terminal rm/re 150 mm ²	1	250A	34175.0030	SILAS NH1 SN RR	1	2,6
Multiple use terminal (screw M10)	2	400A	34270.0030	SILAS NH2 SN U2U2	1	3,4
with Box terminal rm/re 300 mm ²	2	400A	34275.0030	SILAS NH2 SN RR	1	4,0
Multiple use terminal (screw M10)	3	630A	34370.0030	SILAS NH3 SN U5U5	1	3,9
with Box terminal rm/re 300 mm ²	3	630A	34375.0030	SILAS NH3 SN RR	1	4,4

Dimension drawings of fuse monitoring on page 143

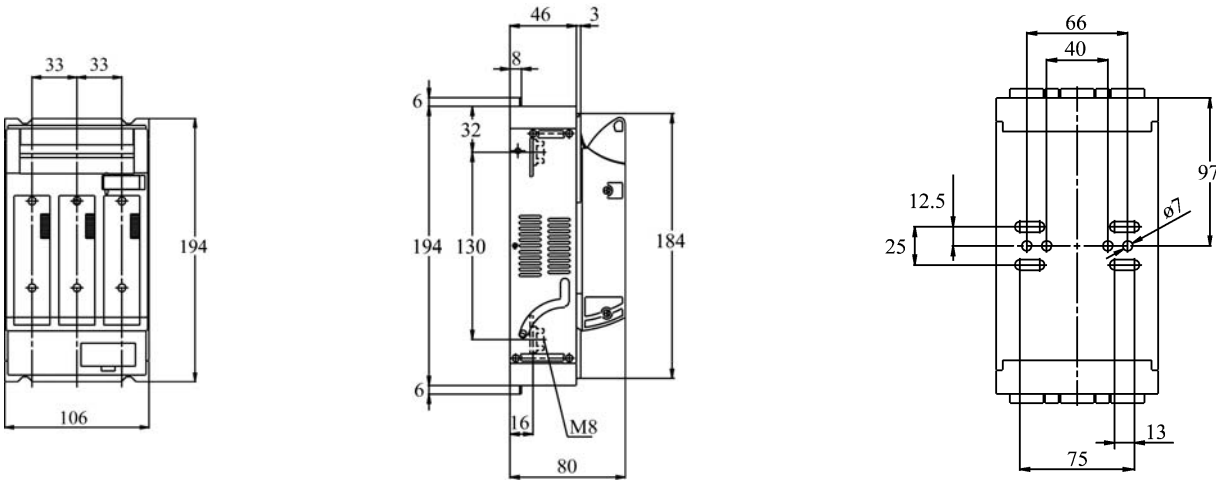
NH Fuse-Switches SILAS

Dimensions drawings

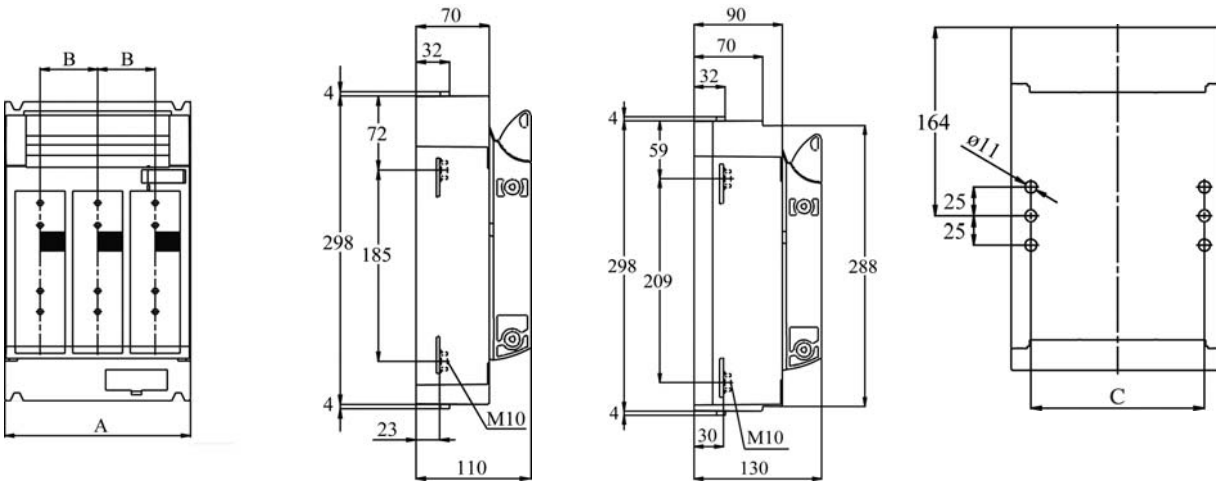
Dimensions drawings
Size 000



Dimensions drawings
Size 00



Dimensions drawings
Size 1-3



Size	A	B	C
1	184	57	150
2	210	65	166
3	250	80	195

Size 1

Size 2/3

for busbar system 40/12 acc. DIN 43870

Description	Size	Amps I _n	Order no.	Description	Pack	Weight in kg
with Box terminal rm/re 50 mm ² Branch bottom	000	100A	39000.0007	SILAS SB NH000 40 AU R4	1	0,5
with Box terminal rm/re 50 mm ² Branch top	000	100A	39001.0007	SILAS SB NH000 40 A0 R4	1	0,5
Multiple use terminal (screw M8) with Box terminal rm/re 95 mm ²	00	160A	39021.0000	SILAS SB NH00 40 EB70 U5	1	0,7
Multiple use terminal (screw M10) with Box terminal rm/re 150 mm ²	00	160A	39020.0000	SILAS SB NH00 40 EB70 R5	1	0,7
Multiple use terminal (screw M10) with Box terminal rm/re 150 mm ²	1	250A	39060.0000	SILAS SB NH1 40 EB70 U2	1	2,1
Multiple use terminal (screw M10) with Box terminal rm/re 300 mm ²	1	250A	39061.0000	SILAS SB NH1 40 EB70 R	1	2,3
Multiple use terminal (screw M10) with Box terminal rm/re 300 mm ²	2	400A	39078.0000	SILAS SB NH2 40 EB70 AO U2	1	3,3
Multiple use terminal (screw M10) with Box terminal rm/re 300 mm ²	2	400A	39079.0000	SILAS SB NH2 40 EB70 AO R	1	3,6

for busbar system 40/12 acc. DIN 43870 with electronic fuse monitoring up to 500V AC

Description	Size	Amps I _n	Order no.	Description	Pack	Weight in kg
with Box terminal rm/re 50 mm ² Branch bottom	000	100A	39000.0137	SILAS SB NH000 40 ESF MA AU R4	1	0,6
Multiple use terminal (screw M8) with Box terminal rm/re 95 mm ²	00	160A	39021.0130	SILAS SB NH00 40 EB70 ESF MA U5	1	0,9
Multiple use terminal (screw M10) with Box terminal rm/re 150 mm ²	00	160A	39020.0130	SILAS SB NH00 40 EB70 ESF MA R5	1	0,9
Multiple use terminal (screw M10) with Box terminal rm/re 150 mm ²	1	250A	39060.0130	SILAS SB NH1 40 EB70 ESF MA U2	1	2,3
Multiple use terminal (screw M10) with Box terminal rm/re 300 mm ²	1	250A	39061.0130	SILAS SB NH1 40 EB70 ESF MA R	1	2,3
Multiple use terminal (screw M10) with Box terminal rm/re 300 mm ²	2	400A	39078.0130	SILAS SB NH2 40 EB70 ESF MA AO U2	1	3,3
Multiple use terminal (screw M10) with Box terminal rm/re 300 mm ²	2	400A	39079.0130	SILAS SB NH2 40 EB70 ESF MA AO R	1	3,6

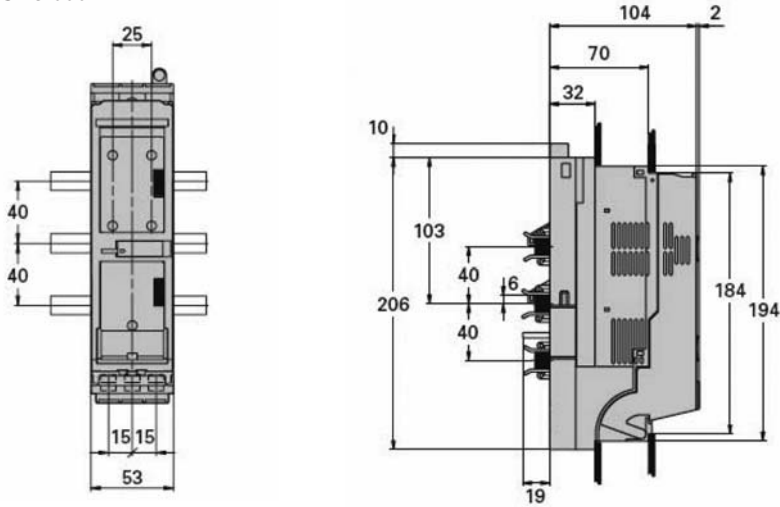
for busbar system 40/12 acc. DIN 43870 with electro-mechanical fuse monitoring up to 690V

Description	Size	Amps I _n	Order no.	Description	Pack	Weight in kg
Multiple use terminal (screw M8) with Box terminal rm/re 95 mm ²	00	160A	39021.0030	SILAS SB NH00 40 EB70 SN U5	1	1,2
Multiple use terminal (screw M10) with Box terminal rm/re 150 mm ²	00	160A	39020.0030	SILAS SB NH00 40 EB70 SN R5	1	1,2
Multiple use terminal (screw M10) with Box terminal rm/re 150 mm ²	1	250A	39060.0030	SILAS SB NH1 40 EB70 SN U2	1	2,6
Multiple use terminal (screw M10) with Box terminal rm/re 300 mm ²	1	250A	39061.0030	SILAS SB NH1 40 EB70 SN R	1	2,6
Multiple use terminal (screw M10) with Box terminal rm/re 300 mm ²	2	400A	39078.0030	SILAS SB NH2 40 EB70 SN AO U2	1	3,6
Multiple use terminal (screw M10) with Box terminal rm/re 300 mm ²	2	400A	39079.0030	SILAS SB NH2 40 EB70 SN AO R	1	3,9

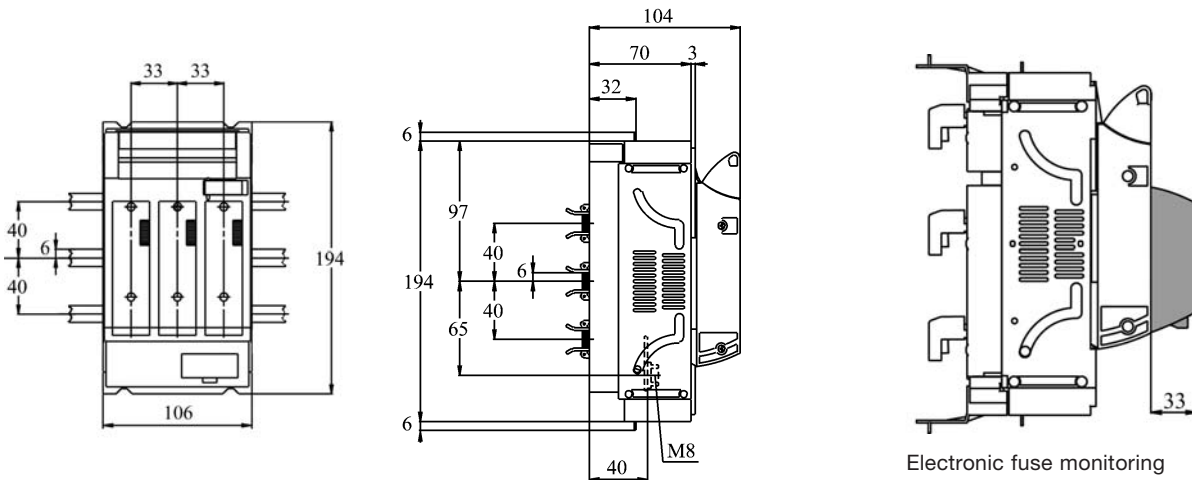
NH Fuse-Switches SILAS

Dimensions drawings

Dimension drawings
Size 000

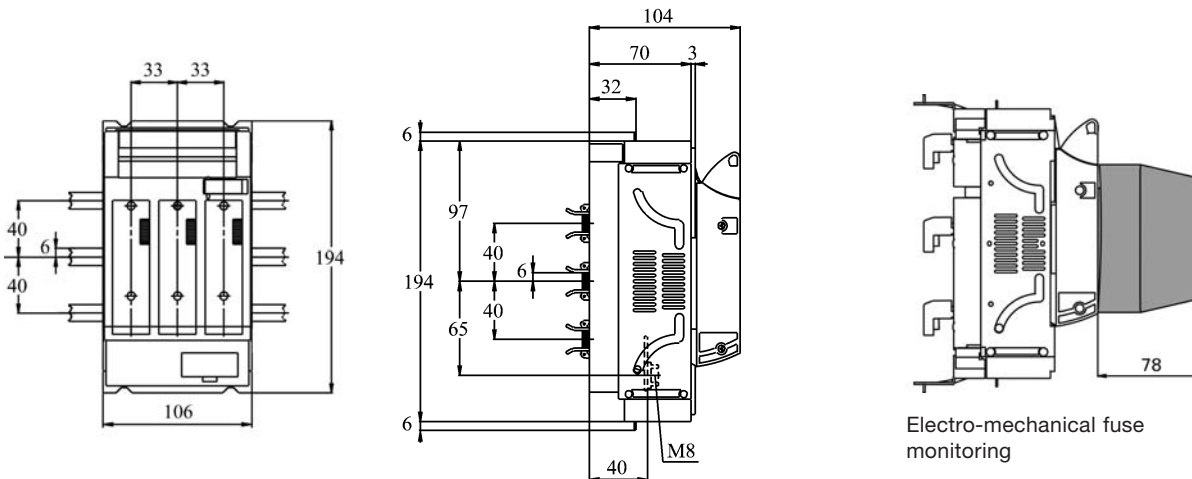


Dimension drawings
Size 00



Electronic fuse monitoring

Dimension drawings
Size. 1-3



Electro-mechanical fuse monitoring

NT-SILAS

for busbar system 60 mm

Description	Size	Amps I _n	Order no.	Description	Pack	Weight in kg
with Box terminal rm/re 50 mm ² Branch bottom	000	100A	39010.0007	SILAS SB NH000 60 AU R4	1	0,5
with Box terminal rm/re 50 mm ² Branch top	000	100A	39011.0007	SILAS SB NH000 60 AO R4	1	0,5
Multiple use terminal (screw M8)	00	160A	39052.0000	SILAS SB NH00 60 EB70 U5	1	0,8
with Box terminal rm/re 95 mm ² install. depth 32 mm	00	160A	39040.0000	SILAS SB NH00 60 EB32 R5	1	0,8
with Box terminal rm/re 95 mm ² install. depth 70 mm	00	160A	39050.0000	SILAS SB NH00 60 EB70 R5	1	0,8
Multiple use terminal (screw M10)	1	250A	39064.0000	SILAS SB NH1 60 EB70 U2	1	2,2
with Box terminal rm/re 150 mm ²	1	250A	39068.0000	SILAS SB NH1 60 EB70 R	1	2,2
Multiple use terminal (screw M10)	2	400A	39070.0000	SILAS SB NH2 60 EB70 U2	1	3,2
with Box terminal rm/re 300 mm ²	2	400A	39074.0000	SILAS SB NH2 60 EB70 R	1	3,5
Multiple use terminal (screw M10)	3	630A	39080.0000	SILAS SB NH3 60 EB70 U2	1	3,9
with Box terminal rm/re 300 mm ²	3	630A	39084.0000	SILAS SB NH3 60 EB70 R	1	4,1

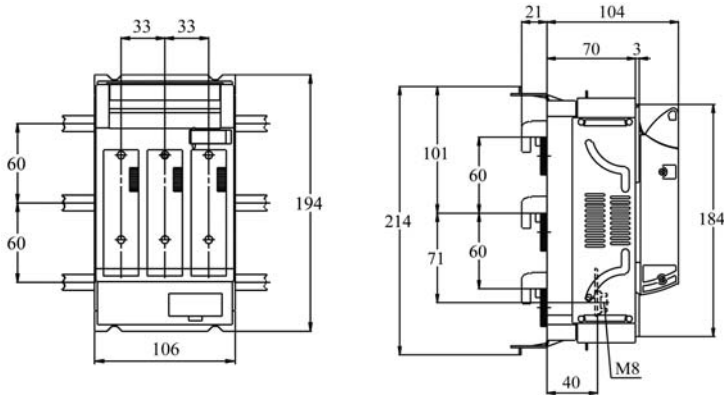
for busbar system 60 mm with electronic fuse monitoring up to 500V AC

Description	Size	Amps I _n	Order no.	Description	Pack	Weight in kg
with Box terminal rm/re 50 mm ² Branch bottom	000	100A	39010.0137	SILAS SB NH000 60 MA AU R4	1	0,6
with Box terminal rm/re 50 mm ² Branch top	000	100A	39011.0137	SILAS SB NH000 60 MA AO R4	1	0,6
Multiple use terminal (screw M8)	00	160A	39052.0130	SILAS SB NH00 60 EB70 ESF MA U5	1	0,9
with Box terminal rm/re 95 mm ² install. depth 70 mm	00	160A	39040.0130	SILAS SB NH00 60 EB32 ESF MA R5	1	0,9
with Box terminal rm/re 95 mm ² install. depth 70 mm	00	160A	39050.0130	SILAS SB NH00 60 EB70 ESF MA R5	1	0,9
Multiple use terminal (screw M10)	1	250A	39064.0130	SILAS SB NH1 EB70 ESF70 MA U2	1	2,3
with Box terminal rm/re 150 mm ²	1	250A	39068.0130	SILAS SB NH1 60 EB70 ESF MA R	1	2,3
Multiple use terminal (screw M10)	2	400A	39070.0130	SILAS SB NH2 60 EB70 ESF MA U2	1	3,3
with Box terminal rm/re 300 mm ²	2	400A	39074.0130	SILAS SB NH2 60 EB70 ESF MA R	1	3,6
Multiple use terminal (screw M10)	3	630A	39080.0130	SILAS SB NH3 60 EB70 ESF MA U2	1	4,0
with Box terminal rm/re 300 mm ²	3	630A	39084.0130	SILAS SB NH3 60 EB70 ESF MA R	1	4,1

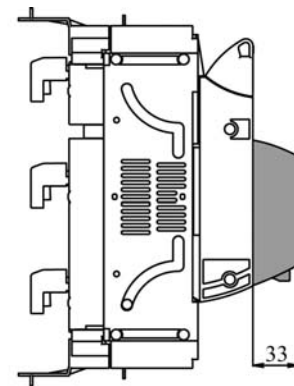
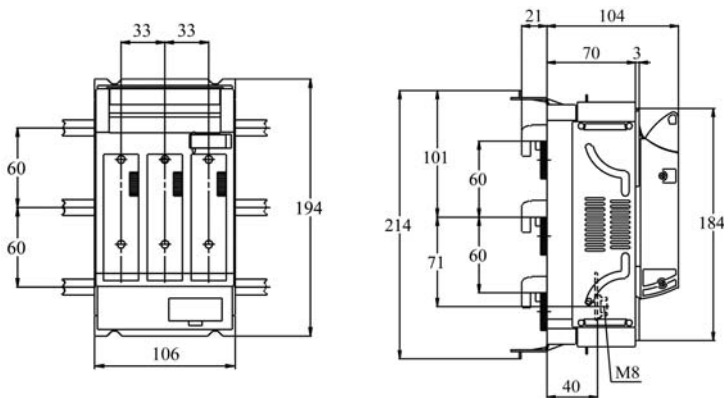
for busbar system 60 mm with electro-mechanical fuse monitoring up to 690V

Description	Size	Amps I _n	Order no.	Description	Pack	Weight in kg
Multiple use terminal (screw M8)	00	160A	39052.0030	SILAS SB NH00 60 EB70 SN U5	1	1,2
with Box terminal rm/re 95 mm ² install. depth 32 mm	00	160A	39040.0030	SILAS SB NH00 60 EB32 SN R5	1	1,2
with Box terminal rm/re 95 mm ² install. depth 70 mm	00	160A	39050.0030	SILAS SB NH00 60 EB70 SN R5	1	1,2
Multiple use terminal (screw M10)	1	250A	39064.0030	SILAS SB NH1 60 EB70 SN U2	1	2,6
with Box terminal rm/re 150 mm ²	1	250A	39068.0030	SILAS SB NH1 60 EB70 SN R	1	2,6
Multiple use terminal (screw M10)	2	400A	39070.0030	SILAS SB NH2 60 EB70 SN U2	1	3,6
with Box terminal rm/re 300 mm ²	2	400A	39074.0030	SILAS SB NH2 60 EB70 SN R	1	3,9
Multiple use terminal (screw M10)	3	630A	39080.0030	SILAS SB NH3 60 EB70 SN U2	1	4,3
with Box terminal rm/re 300 mm ²	3	630A	39084.0030	SILAS SB NH3 60 EB70 SN R	1	4,5

Dimension drawings
Size 000

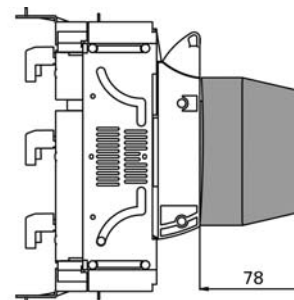
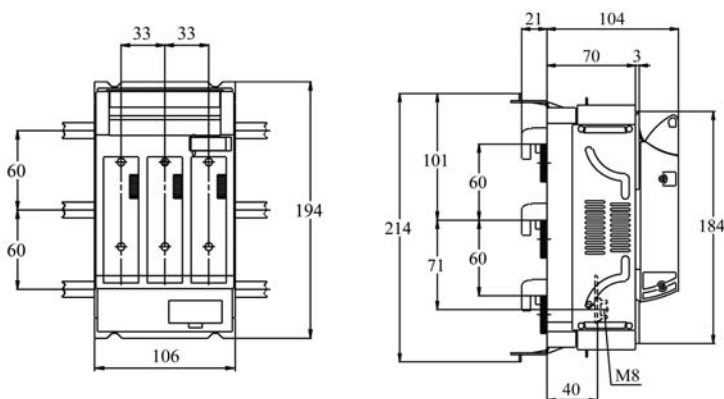


Dimension drawings
Size 00



Electronic fuse monitoring

Dimension drawings
Size 1-3



Electro-mechanical fuse monitoring

NT-SILAS

Feeder busbar for Silas Size 000 and 00
Accessories

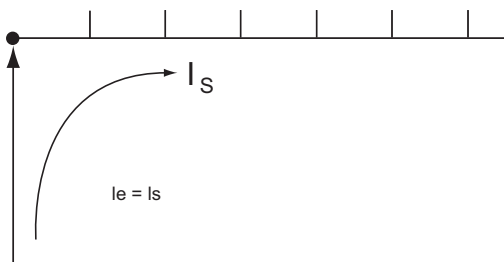
Technical data

Technical data acc. to DIN EN 60947-1 VDE 0660 T100 / IEC 60947-1:2004

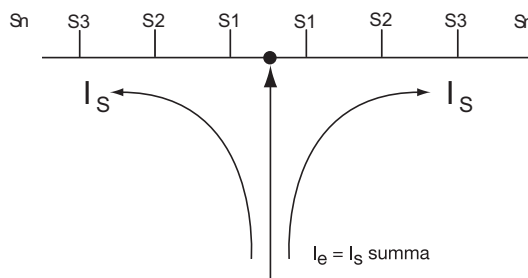
Description		
Materials	Bus bar	E – Cu 58 F25
	Insulation	PC/ABS extruding - light gray RAL 7035
	Endcap	PC/ABS injected - light gray RAL 7035
	protection cover	PA66 V0 injected - light gray RAL 7035
Temperature range	PC / ABS extrudiert	VST B 120 – ISO 306 = 113°C-UL94-VO/1,5
	PC / ABS gespritzt	VST B 120 – ISO 306 = 138°C – UL94-V01,6
Isolation coordination	over voltage catagory III / corrosion grad 2	
Electric strength	PC / ABS	> 32 kV / mm
Impulse withstand voltage	=> 6,0kV (1kV/mmLS)	
Minimum aerial distance	> 8 mm	
Minimum creeping distance	> 8,5 mm	
Maximum operating voltage	690 V AC / 440 V DC	
Nominal operating voltage	415 V	
Short circuit strength	12,5 kA – 100 ms / 400 V	

Capacity at 35 C° environmental temperature into dependence of the one dish point

Busbar block length (m)	Max.1	Max. 0,3
Busbar cross section	35 mm ²	35 mm ²
Supply at the busbar start or end	125 A	200 A
Max. busbar current Is/Phase	35 mm ²	2x35 mm ²
Connecting cross section		
Other frequencies		
Max. busbar current Is/Phase	160 A	260 A
Connected cross section	2x35 mm ²	95 mm ²
Feeding busbar for 000	-	2 - 5
Feeding busbar for 00	4 – 5 fold	2 - 3



connetion at fuse rail start or end



other connections

pay attention when using mid incomming feeder that the total sum of the outgoing feeder S1.....Sn for each busbar section is not larger than the above mentioned busbar current Is/Phase

