



# Metasol

Meta Solution

Low voltage circuit breakers





Leader in Electrics & Automation

***Upgraded for the global  
best worth!***

## ***Metasol***

**Molded case circuit breaker / Earth leakage circuit breaker**

Marking and configuration	16
External configuration	18
Quick selection table (Molded Case Circuit Breakers)	20
Quick selection table (Earth Leakage Circuit Breakers)	30
Ratings	34
Accessories	74
Type numbering system	97
Characteristics curves	98
Dimensions	105
Technical Information	122



**Metasol**  
**ABS 203c**

250AF		3P
$U_e$		$I_{cs}=I_{cu}$
690V	~	8kA
480/500V	~	26kA
415/460V	~	37kA
380V	~	42kA
220/240V	~	85kA
500V	~	20kA
250V	~	20kA
$I_{cs} = 100\%I_{cu}$		
50/60Hz		
Cat. A		





# Metasol

Meta solution



Metasol ABS 203c		
250AF		
Ue		3P
690V		
480/500V	~	Ics=Icu
415/460V	~	8kA
380V	~	26kA
220/240V	~	37kA
500V	~	42kA
250V	~	85kA
Ics = 100%Icu	---	20kA
50/60Hz	---	20kA
Cat. A		

CE  
IEC60947-2  
LS Industrial Systems  
MADE IN KOREA

**MCCB = ELCB**

# Metasol

Molded case circuit breaker / Earth leakage circuit breaker

Upgrade of Meta-MEC series

## ... **Metasol** Low voltage circuit breaker

- $I_{cs} = 100\% \times I_{cu}$
- $U_i = 750V$
- $U_{imp} = 8kV$



### • *Compatible and differentiated design*

- Compatible with the Meta-MEC
- Outlook differentiated design

### • *Same External dimension with MCCB and ELCB*

### • *Upgrade the coordination*

- Upgrade the coordination with Susol / Meta-MEC mass capacity

### • *Upgrade breaking capacity*

- N100AF : 10  $\Rightarrow$  18kA
- S125AF : 25  $\Rightarrow$  37kA
- S250AF : 25  $\Rightarrow$  37kA
- H250AF : 35  $\Rightarrow$  50kA
- N400AF : 25  $\Rightarrow$  37kA
- S400AF : 35  $\Rightarrow$  50kA
- S800AF : 50  $\Rightarrow$  65kA

### • *$I_{cs} = 100\% I_{cu}$*

# Metasol MCCB/ELCB

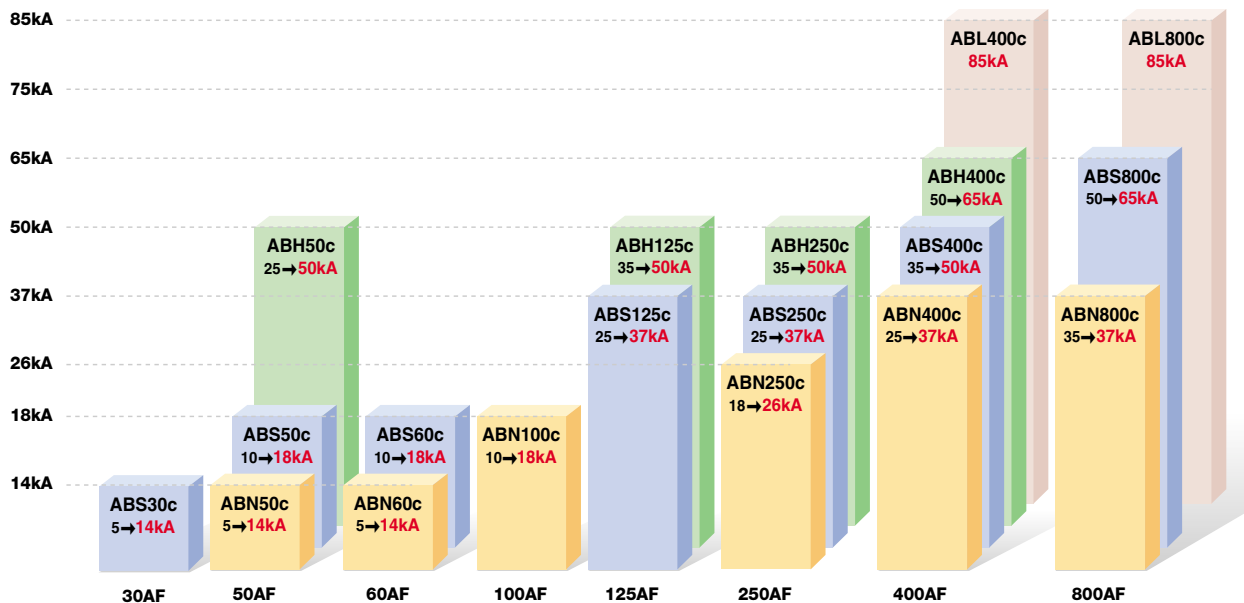


**Ics = 100% Icu**

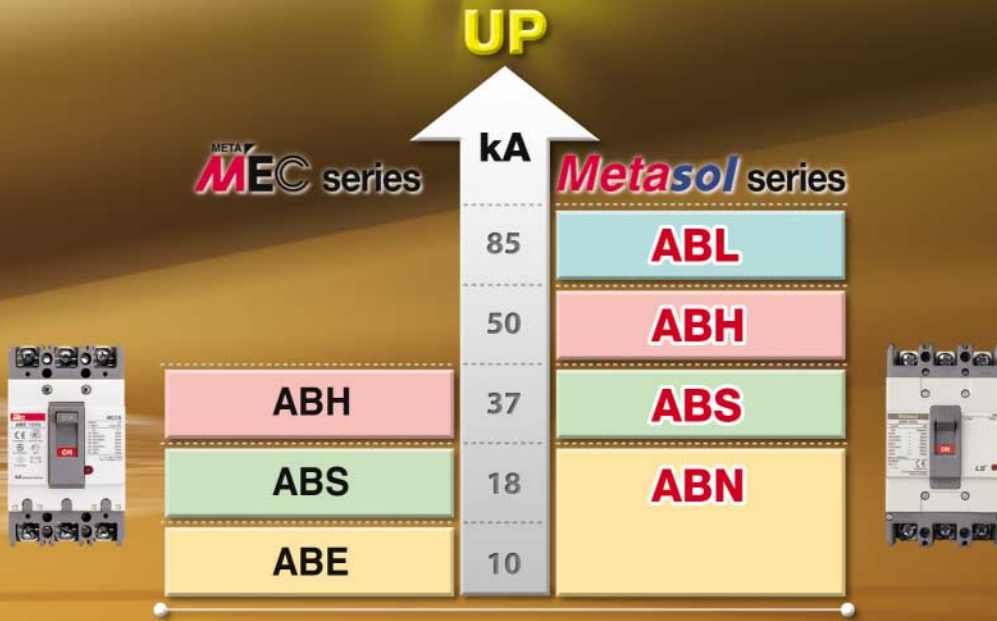
## Metasol MCCB

Upgrade breaking capacity

460V



## Short-circuit breaking capacity



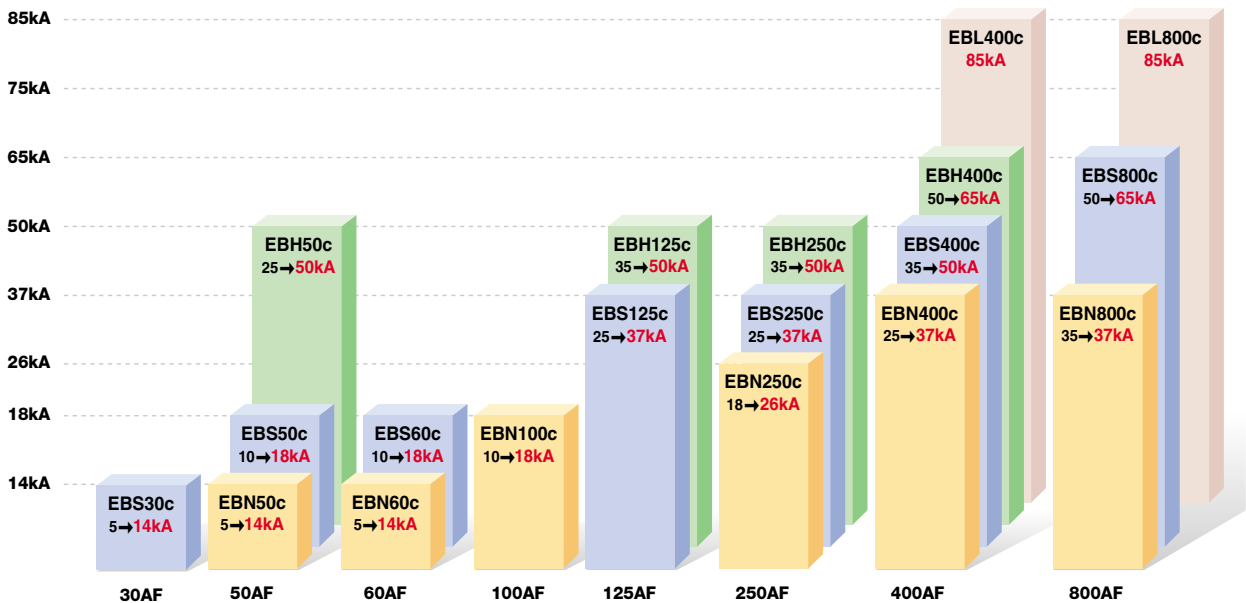
### Upgrade breaking capacity

- N100AF :  
10 → **18kA**
- S125AF :  
25 → **37kA**
- S250AF :  
25 → **37kA**
- H250AF :  
35 → **50kA**
- N400AF :  
25 → **37kA**
- S400AF :  
35 → **50kA**
- S630AF :  
50 → **65kA**
- S800AF :  
50 → **65kA**

### Metasol ELCB

#### Upgrade breaking capacity

460V



# Metasol MCCB/ELCB Compatible and Standard

- 100% compatible with Meta-MEC Series.
- Standardized dimension (Depth, Cutout) when the panel is made.

## MCCB (Molded Case Circuit Breaker)



105 × 165 × 60mm



90 × 155 × 60mm



75 × 130 × 60mm

### Metasol MCCB

AF Type	30AF	50AF	60AF	100AF	125AF	250AF	400AF	800AF
ABN		ABN50c 14kA	ABN60c 14kA	ABN100c 18kA		ABN250c 26kA	ABN400c 37kA	ABN800c 37kA
ABS	ABS30c 14kA	ABS50c 18kA	ABS60c 18kA		ABS125c 37kA	ABS250c 37kA	ABS400c 50kA	ABS800c 65kA
ABH		ABH50c 50kA			ABH125c 50kA	ABH250c 50kA	ABH400c 65kA	
ABL							ABL400c 85kA	ABL800c 85kA

Note) Dimension is for 3 pole and breaking capacity is for AC460V.



- Same external dimension with MCCB and ELCB.

## ELCB (Earth leakage circuit breaker)

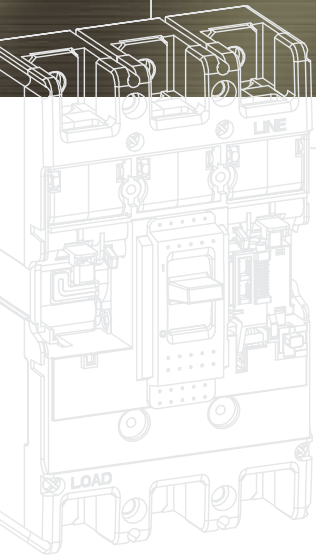


### Metasol ELCB

AF Type	30AF	50AF	60AF	100AF	125AF	250AF	400AF	800AF
<b>EBN</b>		EBN50c 14kA	EBN60c 14kA	EBN100c 18kA		EBN250c 26kA	EBN400c 37kA	EBN800c 37kA
<b>EBS</b>	EBS30c 14kA	EBS50c 18kA	EBS60c 18kA		EBS125c 37kA	EBS250c 37kA	EBS400c 50kA	EBS800c 65kA
<b>EBH</b>		EBH50c 50kA			EBH125c 50kA	EBH250c 50kA	EBH400c 65kA	
<b>EBL</b>							EBL400c 85kA	EBL800c 85kA

Note) Dimension is for 3 pole and breaking capacity is for AC460V.

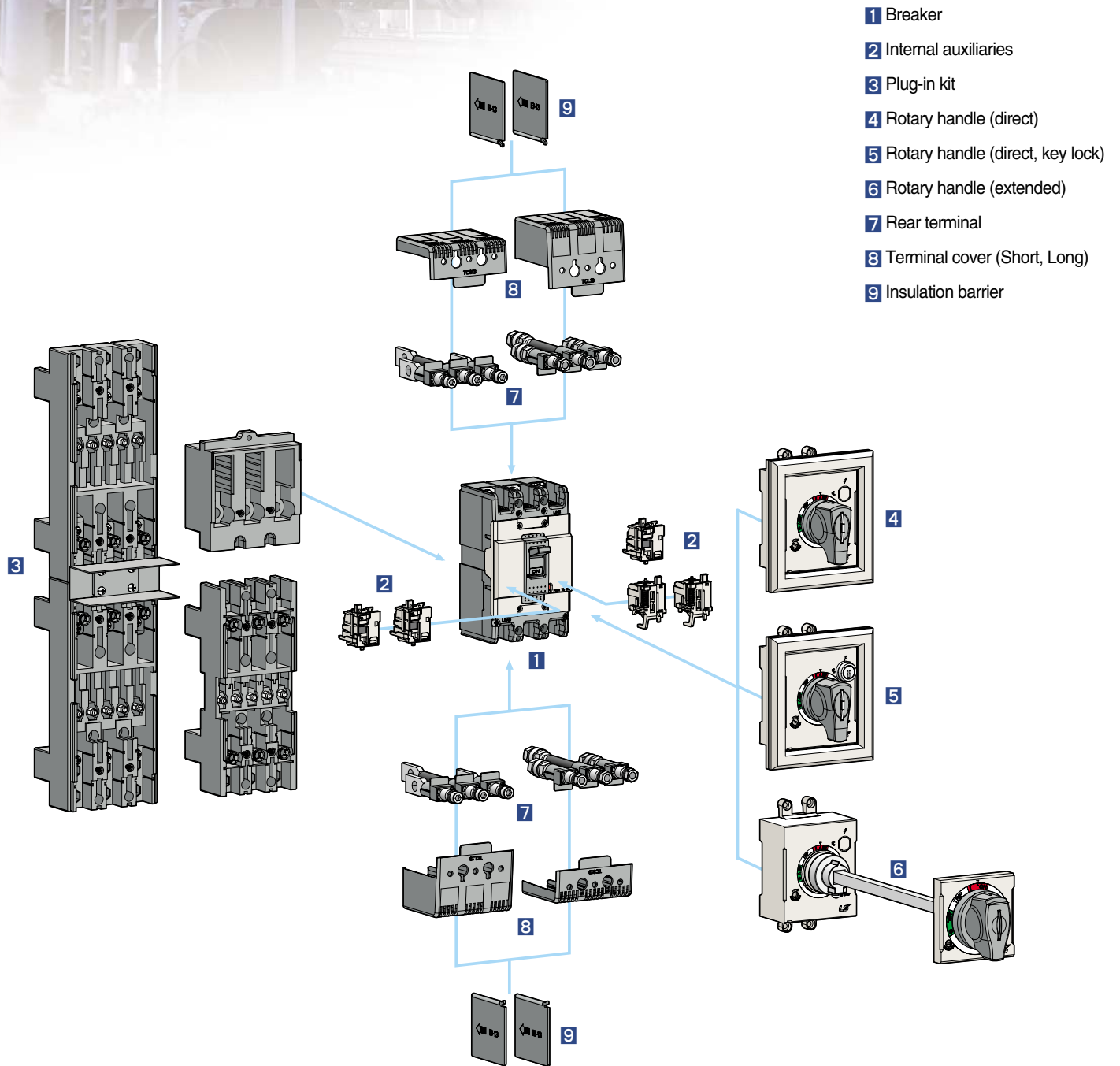
# Metasol MCCB/ELCB System overview



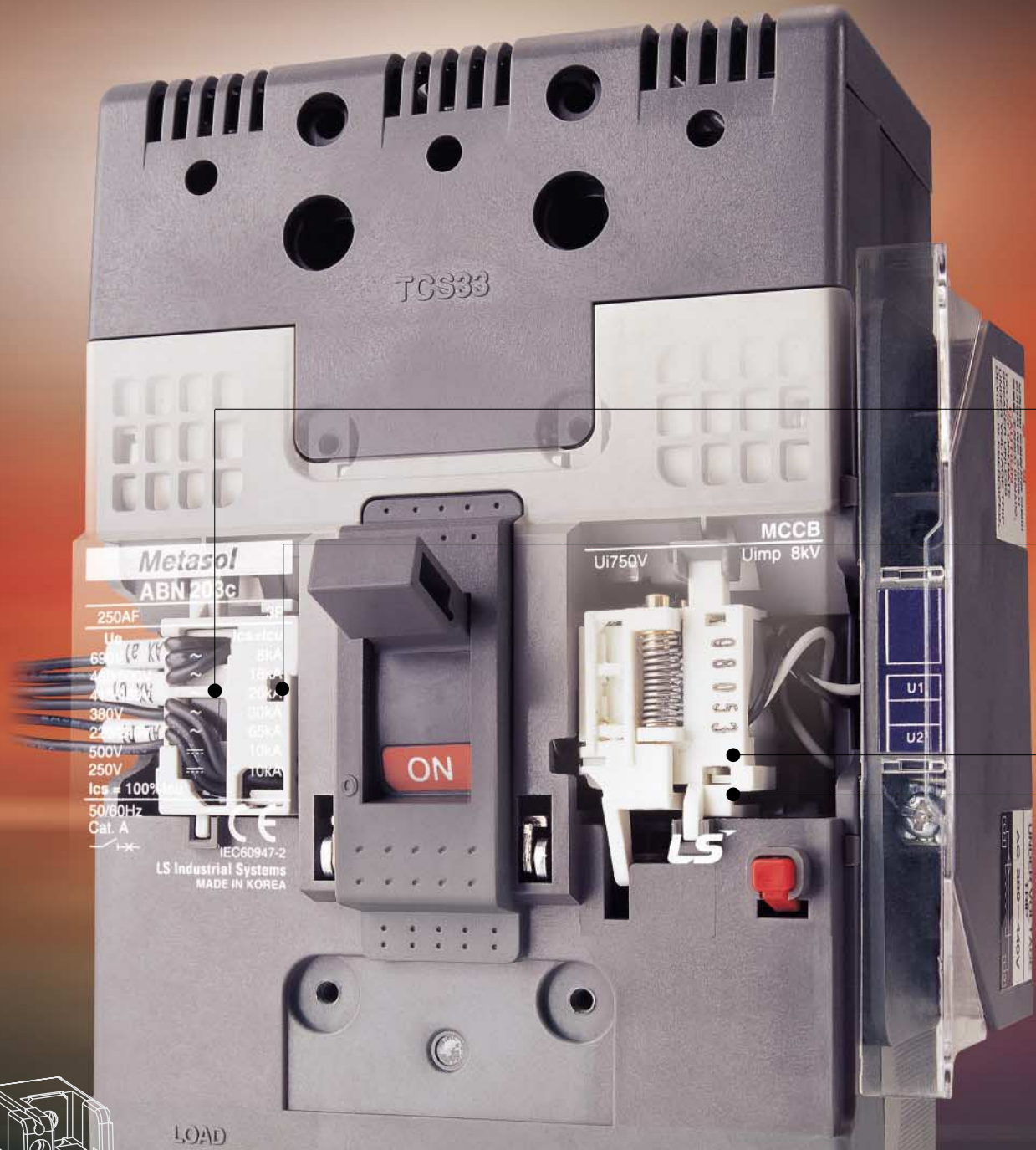
## ■ Various installable Accessories

- Wider range of installable accessories compared to Meta MEC series.
- Composed of User Friendly Method.

# System overview



# Metasol MCCB/ELCB Internal accessories



## Internal Accessories

Internal Accessories can be commonly used in all Metasol MCCB and ELCB  
(Notice: Exception of SHT, UVT in ELCB)

# Internal accessories

## Common use to all Metasol MCCBs and ELCBs



### Alarm Switch (AL)

Alarm switches offer provisions for immediate audio or visual indication of a tripped breaker due to overload, short-circuit, operation of shunt trip, or undervoltage trip conditions, operation of push button.

They are particularly useful in automated plants where operators must be signaled about changes in the electrical distribution system. This switch features a closed contact when the circuit breaker is tripped automatically. In other words, this switch does not function when the breaker is operated manually. Its contact is open when the circuit breaker is reset.



### Auxiliary Switch (AX)

Auxiliary switch is for applications requiring remote "ON" and "OFF" indication. Each switch contains two contacts having a common connection. One is open and the other closed when the circuit breaker is open, and vice-versa.



### Undervoltage trip (UVT)

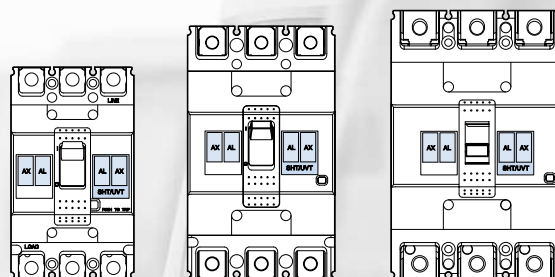
The undervoltage trip automatically opens a circuit breaker when voltage drops to a value ranging between 35% to 70% of the line voltage. The operation is instantaneous, and the circuit breaker cannot be reclosed until the voltage returns to 85% of line voltage.

Continuously energized, the undervoltage trip must be operating before the circuit breaker can be closed.



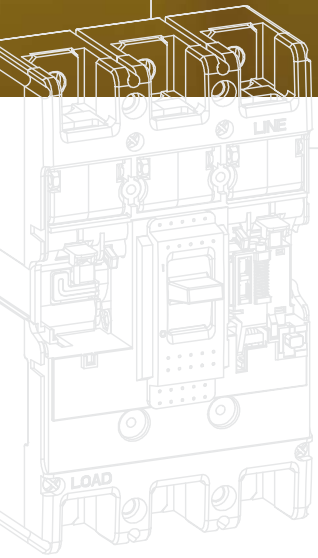
### Shunt Trip (SHT)

The shunt trip opens the mechanism in response to an externally applied voltage signal. LS shunt trips include coil clearing contacts that automatically clear the signal circuit when the mechanism has tripped. contact with live parts and thereby guarantee protection against direct contacts.





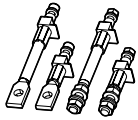
# Metasol MCCB/ELCB External accessories



## ■ External Accessories

Designed for various mount and user safety.

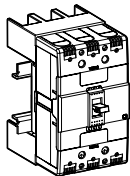
## External accessories



### Front and rear connection

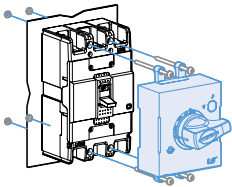
Several kinds of terminals can be equipped with ELCBs as well as MCCBs.

- Terminals for front connection
- Rear connection terminals



### Plug-in base

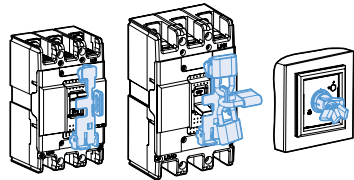
It makes to extract and/or rapidly replace the circuit breaker without having to touch connections. (Easy replacement and maintenance)



### Direct & Extended Rotary Handle

There are two types of rotary handles.

- Direct rotary handle (with or w/o key lock device)
- Extended rotary handle



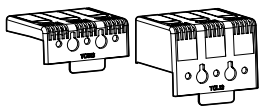
### Locking device

- Fixed padlock
- Removable padlock
- Key lock device on direct handle



### Insulation barrier

These allow the insulation characteristics between the phases at the connections to be increased.



### Insulation terminal cover

The terminal covers are applied to the circuit-breaker to prevent accidental contact with live parts and thereby guarantee protection against direct contacts.

# Marking and configuration

## MCCB

### MCCB model

- ABN: Economic type
- ABS: Standard type
- ABH: High capacity type

### Standardized characteristics

- Ui: Rated insulation voltage
- Uimp: Impulse withstand voltage
- Ue: Rated operational voltage
- Icu: Ultimate breaking capacity
- Ics: Service breaking capacity



Rated frequency

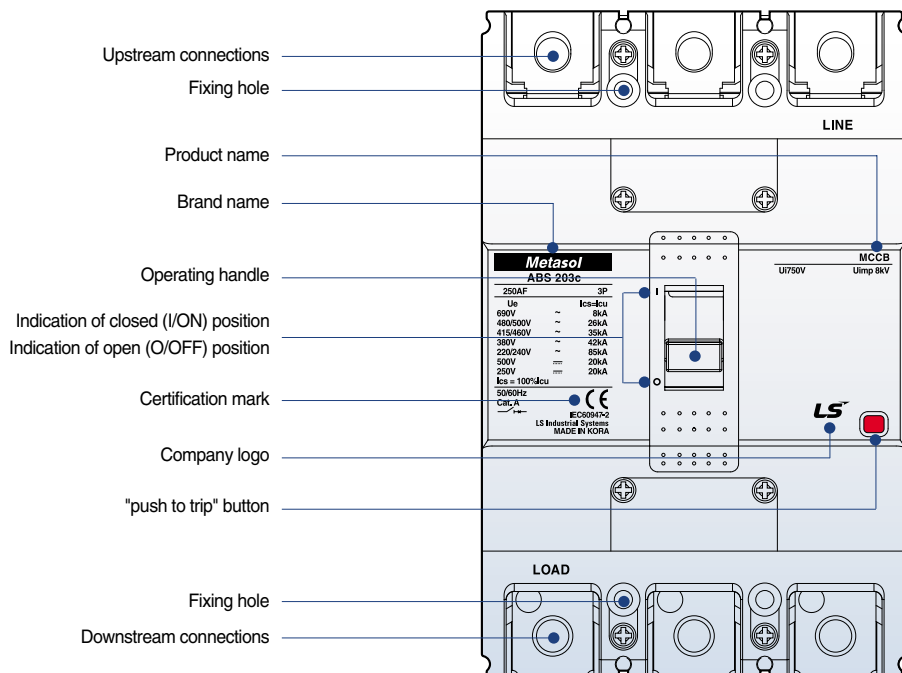
Utilization category

Manufacturer

Standard

Symbol indicating suitability for isolation as defined by IEC 947-2

## MCCB





## ELCB



### ELCB model

- EBN: Economic type
- EBS: Standard type
- EBH: High capacity type

Rated frequency

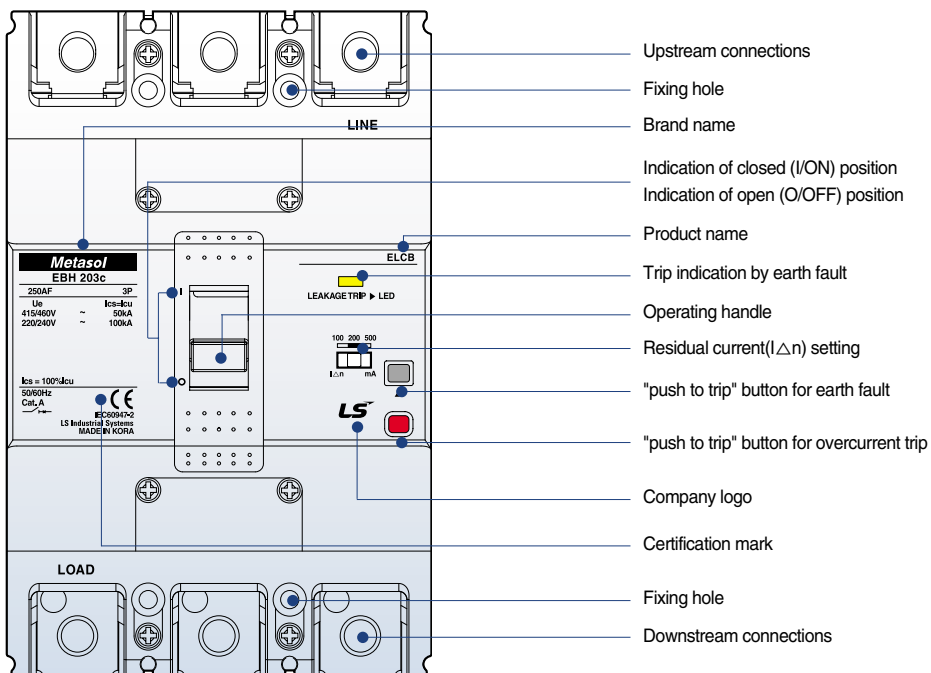
Standard

Manufacturer

Utilization category

Symbol indicating suitability for isolation as defined by IEC 947-2

## ELCB



# External configuration

Metasol

## MCCB

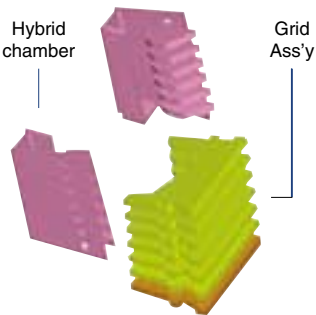
### ① Handle

- Function of indications
  - "ON" "OFF" "TRIP"
- Resetting
 

When the handle indicates "tripped" position it must first be reset by moving the handle to the "OFF" position and then closing is possible
- Trip-Free even if the handle is held at "ON", the breaker will trip if an over current flows
- Suitable for Verification of the main contact position under abnormal conditions because the handle doesn't indicate open position

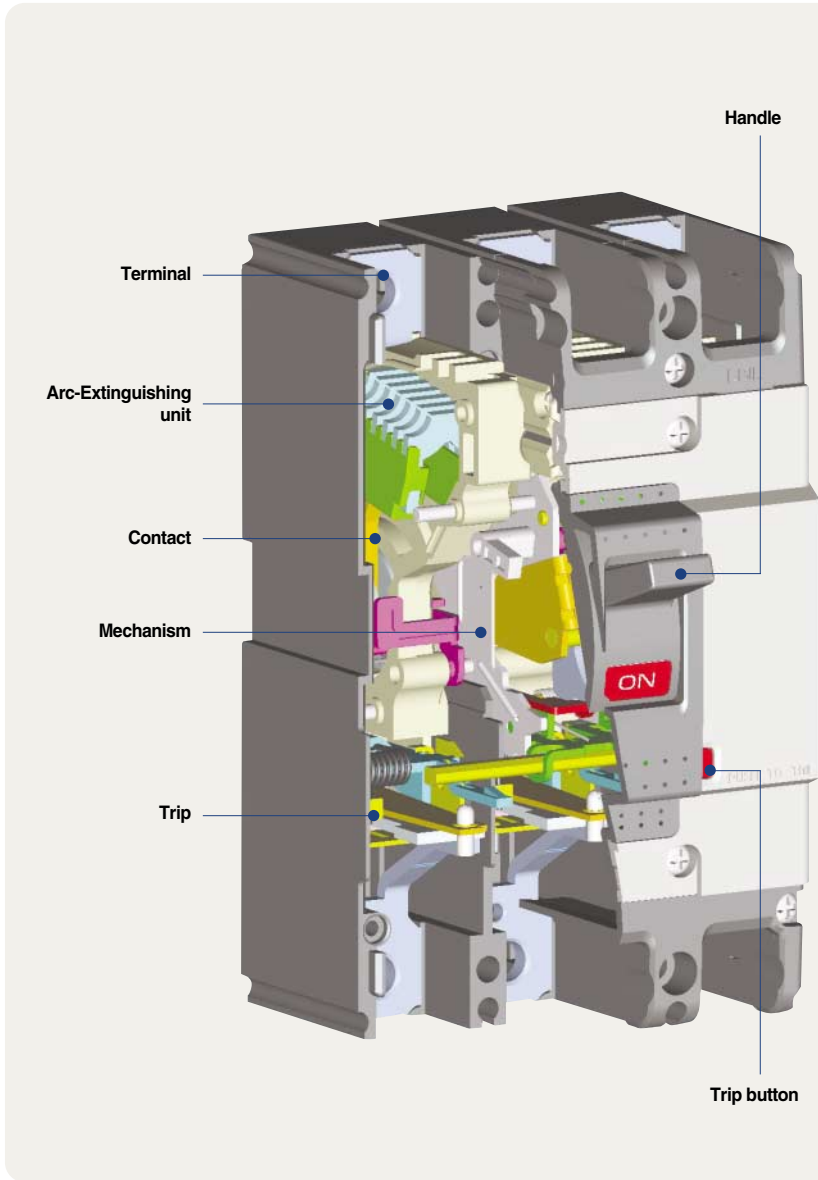
### ② Arc-Extinguishing unit

- LS patent technique PASQ  
 Arc-Extinguishing unit  
 PASQ : Puffer Assisted Self-Quenching
- Reduction of arc voltage for a short time

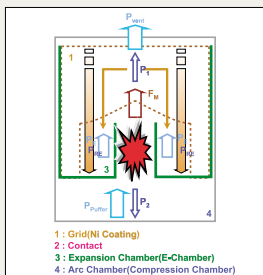


### ③ Trip button (push to trip)

- Enables tripping mechanically from outside, for confirming the operation of the accessory switches and the manual resetting function.



### A Application of PASQ Arc Extinguishing



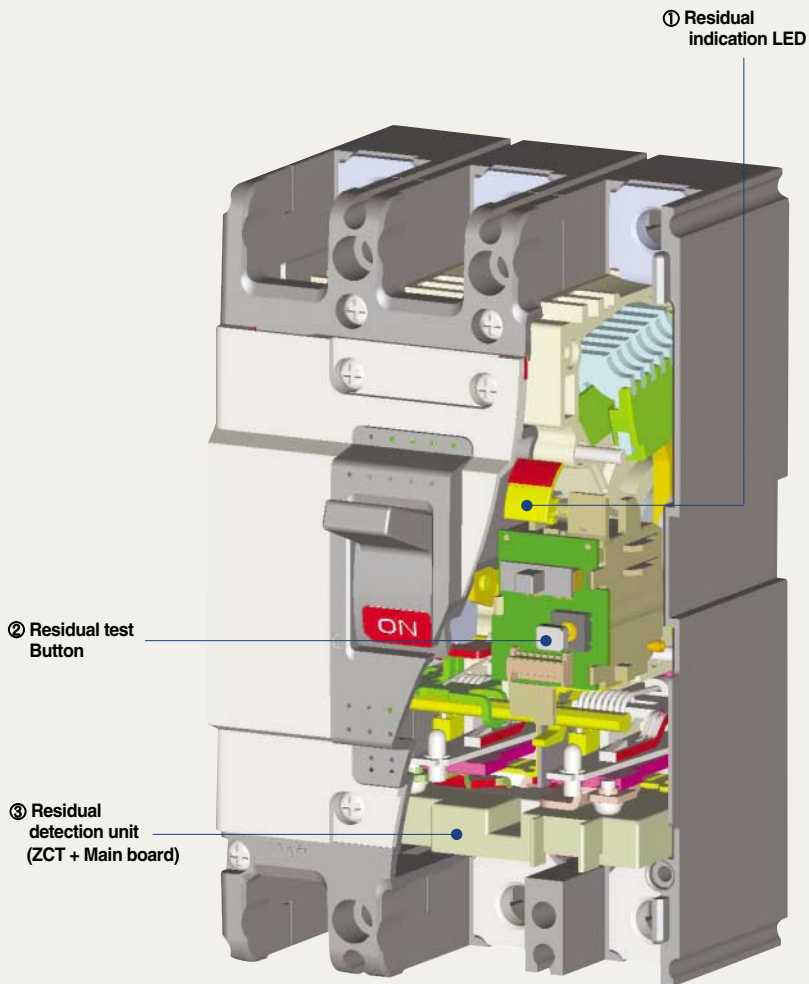
- The reduction of breaking time by applying PASQ arc extinguishing for inhibition of arc voltage for a short time.

### A Application of Current limiting structure

- Current limiting repulsion structure (U fixed structure)
- Toggle structure
  - When the operating unit repulses by short circuit current, repulsion structure at bigger angle.



## ELCB



### ① Residual indication LED

- Normal situation is yellow , trio situation is red

### ② Residual test Button

- Special design for Upgrade to prohibit resistance accident

### ③ Residual detection unit (ZCT + Main board)

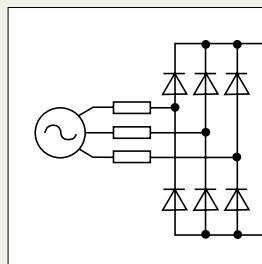
- For upgrade the design is selected the 3 phase input power method and in case of Voltage problem, it can break residual current safely.

### Upgrade coil operation by special design



- Sliding structure application of Trip lever
- Trip special design by applying design Button method.
- Upgrade the testing unit

### 3 phase power supply method



- In case of 1 phase loss residual operation upgrade
- New IEC standard

# Quick selection table Molded Case Circuit Breakers

Metasol



## MCCBs

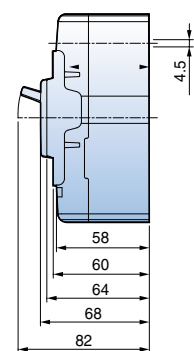
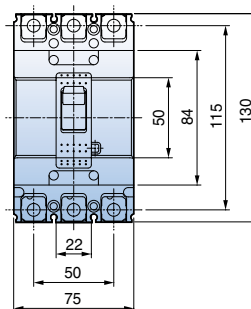
AF		30AF		50AF			60AF	
Type		E-Type	S-Type	N-Type	S-Type	H-Type	N-Type	S-Type
Type and Pole	2-pole	ABE32b	ABS32c	ABN52c	ABS52c	ABH52c	ABN62c	ABS62c
	3-pole	ABE33b	ABS33c	ABN53c	ABS53c	ABH53c	ABN63c	ABS63c
	4-pole	-	ABS34c	ABN54c	ABS54c	ABH54c	ABN64c	ABS64c
Rated current, In	A	(3, 5, 10), 15, 20, 30		15, 20, 30, 40, 50		15, 20, 30, 40, 50	15, 20, 30, 40, 50, 60	
Rated operational voltage, Ue	AC(V)	460	690	690	690	690	690	690
	DC(V)	-	500	500	500	500	500	500
Rated insulation voltage, Ui	V	460	750	750	750	750	750	750
Rated impulse withstand voltage, Uimp	kV	6	8	8	8	8	8	8

### Rated short-circuit breaking capacity(Icu) kA (Sym), KSC8321, IEC 60947-2

AC	690V	-	2.5	2.5	5	10	2.5	5
	480/500V	-	7.5	7.5	10	35	7.5	10
	415/460V	2.5	14 (10)	14	18	50	14	18
	380V	2.5	18 (14)	18	22	50	18	22
	220/250V	5	30 (25)	30	35	100	30	35
DC	500V(3P)	-	5	5	10	30	5	10
	250V(2P)	-	5	5	10	30	5	10
Ics=% × Icu		50	100	100	100	100	100	100
Dimensions (mm)	W × H × D	75 × 96 × 60mm	75 × 130 × 60mm	75 × 130 × 60mm		90 × 155 × 60mm	75 × 130 × 60mm	
	(3-pole)		(Fig. 1)	(Fig. 1)		(Fig. 2)	(Fig. 1)	
More info.	Ratings	32 page	34 page	36 page		36 page	38 page	
	Curves	87 page	87 page	87 page		88 page	87 page	
	Drawings	92 page	93 page	93 page		94 page	93 page	

Note) 1. The short-circuit breaking capacities in ( ) are applied to the rated current in (3, 5, 10A) 2. MCCBs can be applied to both 50 and 60Hz.

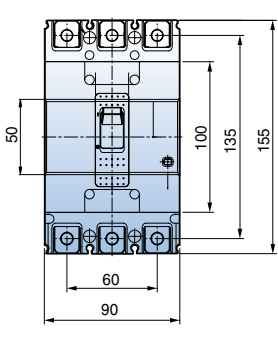
AF Type	30AF	50AF	60AF	100AF	125AF	250AF
ABN		ABN50c 14kA	ABN60c 14kA	ABN100c 18kA		ABN250c 26kA
ABS	ABS30c 14kA	ABS50c 18kA	ABS60c 18kA		ABS125c 37kA	ABS250c 37kA
ABH		ABH50c 50kA			ABH125c 50kA	ABH250c 50kA



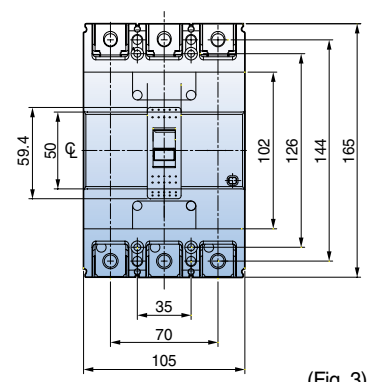
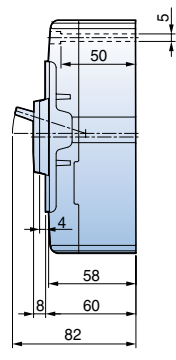
(Fig. 1)



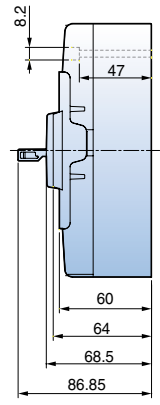
100AF			125AF			250AF		
N-Type	S-Type	H-Type	N-Type	S-Type	H-Type	N-Type	S-Type	H-Type
ABN102c	ABS102c	ABH102c	ABN202c	ABS202c	ABH202c	ABN203c	ABS203c	ABH203c
ABN103c	ABS103c	ABH103c	ABN203c	ABS203c	ABH203c	ABN204c	ABS204c	ABH204c
ABN104c	ABS104c	ABH104c	ABN204c	ABS204c	ABH204c			
15, 20, 30, 40, 50, 60, 75, 100	15, 20, 30, 40, 50, 60, 75, 100, 125		100, 125, 150, 175, 200, 225, 250					
690	690	690	690	690	690			
500	500	500	500	500	500			
750	750	750	750	750	750			
8	8	8	8	8	8			
5	8	10	8	8	10			
10	26	35	18	26	35			
18	37	50	26	37	50			
22	42	50	30	42	50			
35	85	100	65	85	100			
10	20	30	10	20	30			
10	20	30	10	20	30			
100	100	100	100	100	100			
75 × 130 × 60mm (Fig. 1)	90 × 155 × 60mm (Fig. 2)		105 × 165 × 60mm (Fig. 3)					
40 page	42 page		44 page					
87 page	88 page		89 page					
93 page	94 page		95 page					



(Fig. 2)



(Fig. 3)



# Quick selection table

## Molded Case Circuit Breakers

Metasol

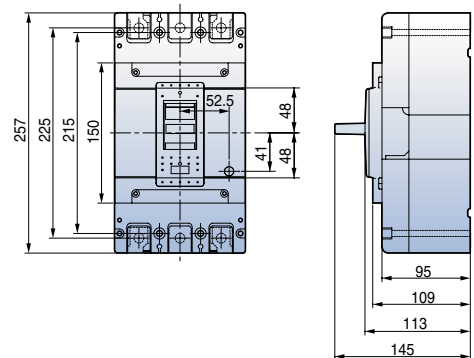


### MCCBs

AF		400AF			
Type		N-Type	S-Type	H-Type	L-Type
Type and Pole	2-pole	ABN402c	ABS402c	ABH402c	ABL402c
	3-pole	ABN403c	ABS403c	ABH403c	ABL403c
	4-pole	ABN404c	ABS404c	ABH404c	ABL404c
Rated current, In	A	250, 300, 350, 400			
Rated operational voltage, Ue	AC(V)	690	690	690	690
	DC(V)	500	500	500	500
Rated insulation voltage, Ui	V	750	750	750	750
Rated impulse withstand voltage, Uimp	kV	8	8	8	8
<b>Rated short-circuit breaking capacity(Icu) kA (Sym), KSC8321, IEC 60947-2</b>					
AC	690V	5	8	10	14
	480/500V	18	35	50	65
	415/460V	37	50	65	85
	380V	42	65	70	100
	220/250V	50	75	85	125
DC	500V(3P)	10	20	40	40
	250V(2P)	10	20	40	40
Ics=% × Icu		100	100	100	75
Dimensions (mm)	W × H × D	140 × 257 × 109mm			
	(3-pole)	(Fig. 4)			
More info.	Ratings	46 page			
	Curves	90 page			
	Drawings	96 page			

Note) MCCBs other than 1000/1200AF can be applied to both 50 and 60Hz.

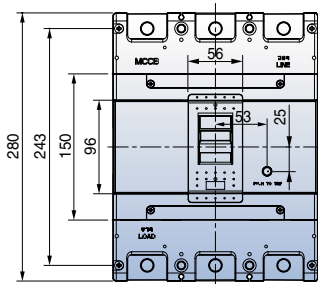
Type	AF	400AF	800AF	1000AF	1200AF
ABN		ABN400c 37kA	ABN800c 37kA		
ABS		ABS400c 50kA	ABS800c 65kA	ABS1000b 65kA	ABS1200b 65kA
ABH		ABH400c 65kA			
ABL		ABL400c 85kA	ABL800c 85kA	ABL1000b 85kA	ABL1200b 85kA



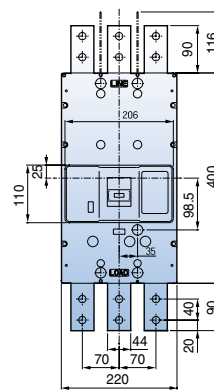
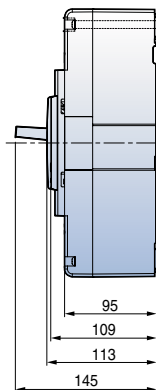
(Fig. 4)



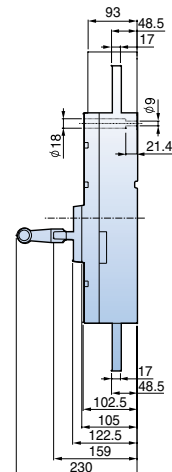
800 AF			1000 AF		1200 AF		
N-Type	S-Type	L-Type	S-Type	L-Type	S-Type		L-Type
ABN802c	ABS802c	ABL802c	-	-	-	-	-
ABN803c	ABS803c	ABL803c	ABS1003b	ABL1003b	ABS1203b	ABS1203bE	ABL1203b
ABN804c	ABS804c	ABL804c	ABS1004b	ABL1004b	ABS1204b	-	ABL1204b
500, 630, 700, 800			1000		1200		
690	690	690	600	600	600	600	600
500	500	500	-	-	-	-	-
750	750	750	690	690	690	690	690
8	8	8	6	6	6	6	6
8	10	14	-	-	-	-	-
25	45	65	50	75	50	50	75
37	65	85	65	85	65	65	85
45	75	100	65	85	65	65	85
50	85	125	100	125	100	100	125
10	20	40	-	-	-	-	-
10	20	40	-	-	-	-	-
100	100	75	50	50	50	50	50
210 × 280 × 109mm (Fig. 5)			220 × 400 × 105mm (Fig. 6)		220 × 400 × 105mm (Fig. 6)		
48 page			50 page		50 page	51 page	50 page
90 page			91 page		91 page	92 page	91 page
97 page			98 page		98 page	99 page	98 page



(Fig. 5)



(Fig. 6)



# Quick selection table

## Motor protection Molded Case Circuit Breakers



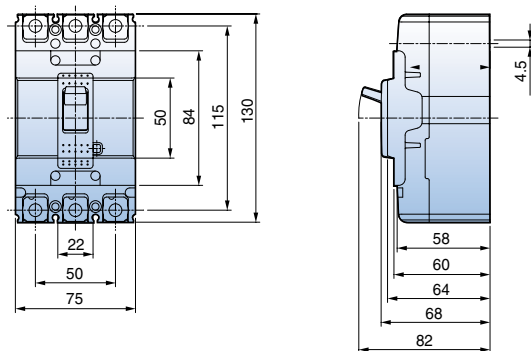
### MCCBs

AF		30AF	50AF			60AF	
Type		S-Type	N-Type	S-Type	H-Type	N-Type	S-Type
Type and Pole	3-pole	ABS33cM	ABN53cM	ABS53cM	ABH53cM	ABN63cM	ABS63cM
Rated current, In	A	16, 24	16, 24, 32, 45			60	
Rated operational voltage, Ue	AC(V)	690	690	690	690	690	690
	DC(V)	500	500	500	500	500	500
Rated insulation voltage, Ui	V	750	750	750	750	750	750
Rated impulse withstand voltage, Uimp	kV	8	8	8	8	8	8

### Rated short-circuit breaking capacity(Icu) kA (Sym), KSC8321, IEC 60947-2

AC	690V	2.5	2.5	5	10	2.5	5
	480/500V	7.5	7.5	10	35	7.5	10
	415/460V	14	14	18	50	14	18
	380V	18	18	22	50	18	22
	220/250V	30	30	35	100	30	35
DC	500V(3P)	5	5	10	30	5	10
Ics=% × Icu		100	100	100	100	100	100
Dimensions (mm)	W × H × D	75 × 130 × 60mm	75 × 130 × 60mm		90 × 155 × 60mm	75 × 130 × 60mm	
	(3-pole)	(Fig. 1)	(Fig. 1)		(Fig. 2)	(Fig. 1)	
More info.	Ratings	38 Page	40 Page		40 Page	42 Page	
	Curves	104 Page	104 Page		105 Page	104 Page	
	Drawings	112 Page	112 Page		113 Page	112 Page	

AF Type	30AF	50AF	60AF	100AF	125AF	250AF
ABN		ABN50cM 14kA	ABN60cM 14kA	ABN100cM 18kA		ABN250cM 26kA
ABS	ABS30cM 14kA	ABS50cM 18kA	ABS60cM 18kA		ABS125cM 37kA	ABS250cM 37kA
ABH		ABH50cM 50kA			ABH125cM 50kA	ABH250cM 50kA

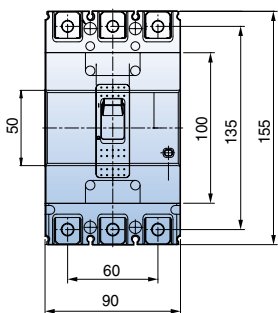


(Fig. 1)

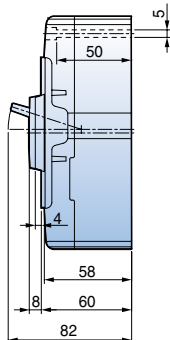




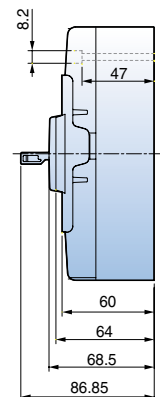
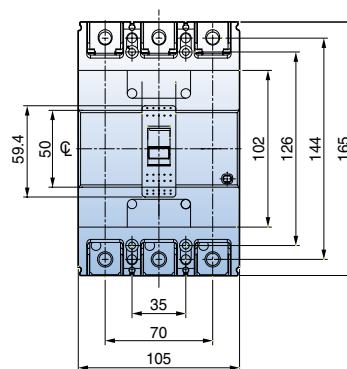
100AF		125AF		250AF		
N-Type	S-Type	H-Type		N-Type	S-Type	H-Type
ABN103cM	ABS103cM	ABH103cM		ABN203cM	ABS203cM	ABH203cM
60, 75, 90	60, 75, 90		125, 150, 175, 225			
690	690	690	690	690	690	690
500	500	500	500	500	500	500
750	750	750	750	750	750	750
8	8	8	8	8	8	8
5	8	10	8	8	10	10
10	26	35	18	26	35	35
18	37	50	26	37	50	50
22	42	50	30	42	50	50
35	85	100	65	85	100	100
10	20	30	10	20	30	30
100	100	100	100	100	100	100
75 × 130 × 60mm (Fig. 1)	90 × 155 × 60mm (Fig. 2)		105 × 165 × 60mm (Fig. 3)			
44 Page	46 Page		48 Page			
104 Page	105 Page		106 Page			
112 Page	113 Page		114 Page			



(Fig. 2)



(Fig. 3)



# Quick selection table

## ZCT Molded Case Circuit Breakers

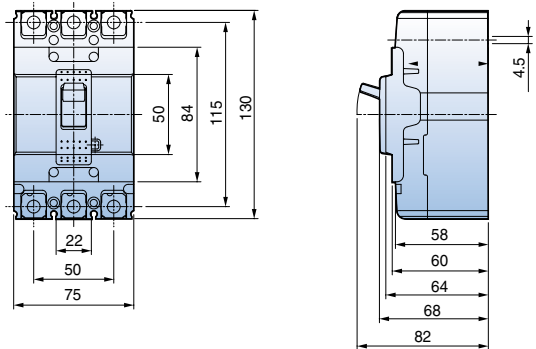


### MCCBs

AF		30AF	50AF			60AF		
Type		S-Type	N-Type	S-Type	H-Type	N-Type	S-Type	
Type and Pole	2-pole	-	-	-	ABH52c	-	-	
	3-pole	ABS33c	ABN53c	ABS53c	ABH53c	ABN63c	ABS63c	
	4-pole	ABS34c	ABN54c	ABS54c	ABH54c	ABN64c	ABS64c	
Rated current, In	A	15, 20, 30	15, 20, 30, 40, 50			15, 20, 30, 40, 50, 60		
Rated operational voltage, Ue	AC(V)	690	690	690	690	690	690	
Rated insulation voltage, Ui	V	750	750	750	750	750	750	
Rated impulse withstand voltage, Uimp	kV	8	8	8	8	8	8	
<b>Rated short-circuit breaking capacity(Icu) kA (Sym), KSC8321, IEC 60947-2</b>								
AC	690V	2.5	2.5	5	10	2.5	5	
	480/500V	7.5	7.5	10	35	7.5	10	
	415/460V	14	14	18	50	14	18	
	380V	18	18	22	50	18	22	
	220/250V	30	30	35	100	30	35	
Ics=% × Icu		100	100	100	100	100	100	
Dimensions (mm)	W × H × D	75 × 130 × 60mm	75 × 130 × 60mm			90 × 155 × 60mm	75 × 130 × 60mm	
	(3-pole)	(Fig. 1)	(Fig. 1)			(Fig. 2)	(Fig. 1)	
More info.	Ratings	32 page	36 page			36 page	38 page	
	Curves	87 page	87 page			88 page	87 page	
	Drawings	92 page	92 page			94 page	92 page	

- Note) 1. Same electrical and physical specification with MCCB.  
2. Accessory : Same application with MCCB  
3. MCCBs can be applied to both 50 and 60Hz.  
4. Marking ZCT on the Aux. cover right side

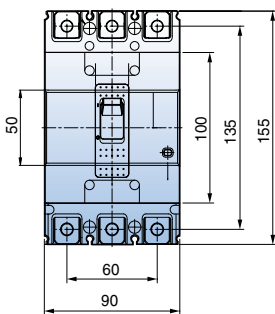
AF Type	30AF	50AF	60AF	100AF	125AF	250AF
ABN		ABN50c 14kA	ABN60c 14kA	ABN100c 18kA		ABN250c 26kA
ABS	ABS30c 14kA	ABS50c 18kA	ABS60c 18kA		ABS125c 37kA	ABS250c 37kA
ABH		ABH50c 50kA			ABH125c 50kA	ABH250c 50kA



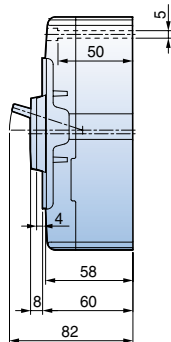
(Fig. 1)



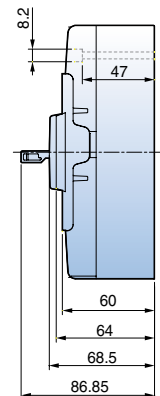
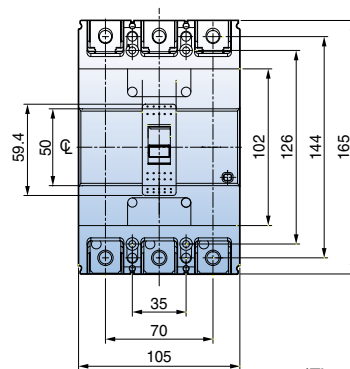
100AF			125AF			250AF		
N-Type	S-Type	H-Type	N-Type	S-Type	H-Type	N-Type	S-Type	H-Type
-	ABS102c	ABH102c	-	-	-	-	-	-
ABN103c	ABS103c	ABH103c	ABN203c	ABS203c	ABH203c	ABN203c	ABS203c	ABH203c
ABN104c	ABS104c	ABH104c	ABN204c	ABS204c	ABH204c	ABN204c	ABS204c	ABH204c
15, 20, 30, 40, 50 60, 75, 100, 125	15, 20, 30, 40, 50, 60, 75, 100, 125		100, 125, 150, 175, 200, 225, 250					
690	690	690	690	690	690	690	690	690
750	750	750	750	750	750	750	750	750
8	8	8	8	8	8	8	8	8
5	8	10	8	8	10	8	8	10
10	26	35	18	26	35	18	26	35
18	37	50	26	37	50	26	37	50
22	42	50	30	42	50	30	42	50
35	85	100	65	85	100	65	85	100
100	100	100	100	100	100	100	100	100
75 × 130 × 60mm (Fig. 1)	90 × 155 × 60mm (Fig. 2)		105 × 165 × 60mm (Fig. 3)					
40 page	42 page		44 page					
87 page	88 page		89 page					
92 page	94 page		95 page					



(Fig. 2)



(Fig. 3)



# Quick selection table

## ZCT Molded Case Circuit Breakers



### MCCBs

AF		400AF			
Type		N-Type	S-Type	H-Type	L-Type
Type and Pole	2-pole	-	-		
	3-pole	ABN403c	ABS403c	ABH403c	ABL403c
	4-pole	ABN404c	ABS404c	ABH404c	ABL404c
Rated current, I <sub>n</sub>	A	250, 300, 350, 400			
Rated operational voltage, U <sub>e</sub>	AC(V)	690	690	690	690
Rated insulation voltage, U <sub>i</sub>	V	750	750	750	750
Rated impulse withstand voltage, U <sub>imp</sub>	kV	8	8	8	8
<b>Rated short-circuit breaking capacity(I<sub>cu</sub>) kA (Sym), KSC8321, IEC 60947-2</b>					
AC	690V	5	8	10	14
	480/500V	18	35	50	65
	415/460V	37	50	65	85
	380V	42	65	70	100
	220/250V	50	75	85	125
I <sub>cs</sub> =% × I <sub>cu</sub>		100	100	100	75
Dimensions (mm)	W × H × D (3-pole)	140 × 257 × 109mm (Fig. 4)			
More info.	Ratings	46 page			
	Curves	90 page			
	Drawings	96 page			

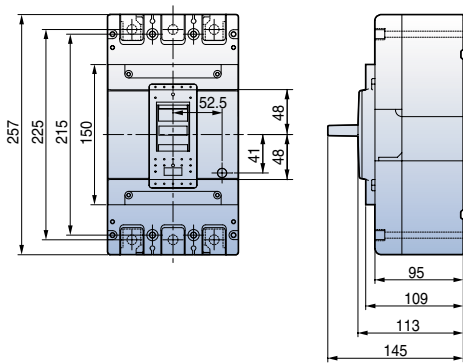
- Note) 1. Same electrical and physical specification with MCCB.  
2. Accessory : Same application with MCCB  
3. MCCBs can be applied to both 50 and 60Hz.  
4. Marking ZCT on the Aux. cover right side

Type	AF	400AF	800AF
ABN		ABN400c 37kA	ABN800c 37kA
ABS		ABS400c 50kA	ABS800c 65kA
ABH		ABH400c 65kA	
ABL		ABL400c 85kA	ABL800c 85kA

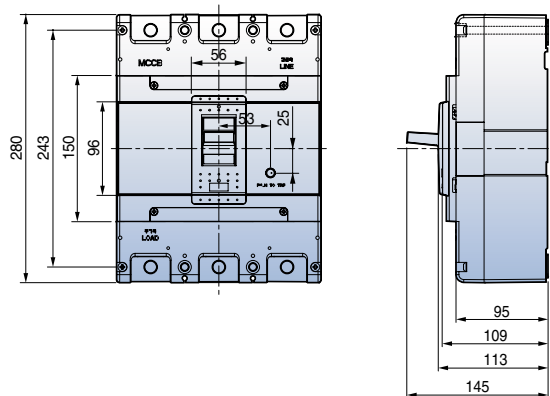




800 AF		
N-Type	S-Type	L-Type
-	-	-
ABN803c	ABS803c	ABL803c
-	-	-
500, 630, 700, 800		
690	690	690
750	750	750
8	8	8
8	10	14
25	45	65
37	65	85
45	75	100
50	85	125
100	100	75
210 × 280 × 109mm		
(Fig. 5)		
48 page		
90 page		
97 page		



(Fig. 4)



(Fig. 5)

# Quick selection table Earth Leakage Circuit Breakers



## ELCBs

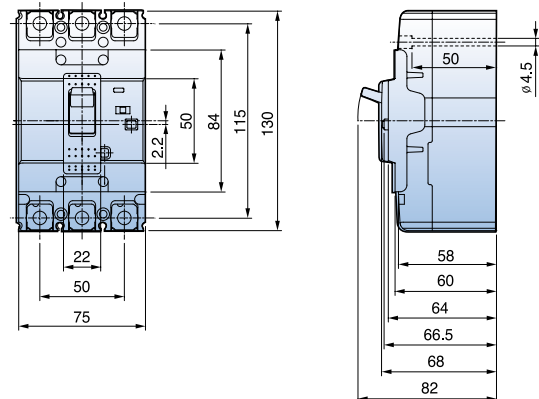
AF		30AF	50AF			60AF	
Type		S-Type	N-Type	S-Type	H-Type	N-Type	S-Type
Type and Pole	2-pole	-	EBN52c	-	-	-	-
	3-pole	EBS33c	EBN53c	EBS53c	EBH53c	EBN63c	EBS63c
	4-pole	EBS34c	-	EBS54c	EBH54c	-	EBS64c
Protective function		Overload, Short-circuit and Ground fault	Overload, Short-circuit and Ground fault	Overload, Short-circuit and Ground fault	Overload, Short-circuit and Ground fault	Overload, Short-circuit and Ground fault	Overload, Short-circuit and Ground fault
Rated current, In	A	5, 10, 15, 20, 30	15, 20, 30, 40, 50	15, 20, 30, 40, 50	15, 20, 30, 40, 50	60	
Rated residual current, I <sub>Δn</sub>	mA	30, 100/200/500mA	30, 100/200/500mA	30, 100/200/500mA	30, 100/200/500mA	30, 100/200/500mA	
Rated operational voltage, U <sub>e</sub>	AC(V)	220/460	220/460	220/460	220/460	220/460	
Rated impulse withstand voltage, U <sub>imp</sub>	kV	6	6	6	6	6	
Residual current off-time at I <sub>Δn</sub>	sec	≤0.1 sec	≤0.1 sec	≤0.1 sec	≤0.1 sec	≤0.1 sec	

### Rated short-circuit breaking capacity (I<sub>cu</sub>) kA (Sym), KSC8321, IEC 60947-2

AC	415/460V	14	14	18	50	14	18
	220/250V	30	30	35	100	30	35
Dimensions (mm)	W × H × D	75 × 130 × 60mm	75 × 130 × 60mm	90 × 155 × 60mm	75 × 130 × 60mm		
	(3-pole)	(Fig. 1)	(Fig. 1)	(Fig. 2)	(Fig. 1)		
More info.	Ratings	54 page	56 page	56 page	58 page		
	Curves	87 page	87 page	88 page	87 page		
	Drawings	100 page	100 page	101 page	100 page		

Note) MCCBs can be applied to both 50 and 60Hz.

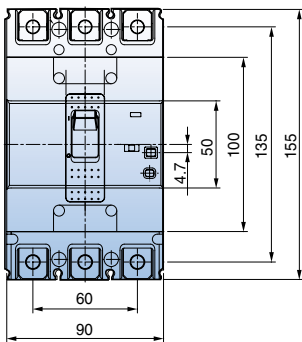
AF Type	30AF	50AF	60AF	100AF	125AF	250AF
EBN		EBN50c 14kA	EBN60c 14kA	EBN100c 18kA		EBN250c 26kA
EBS	EBS30c 14kA	EBS50c 18kA	EBS60c 18kA		EBS125c 37kA	EBS250c 37kA
EBH		EBH50c 50kA			EBH125c 50kA	EBH250c 50kA



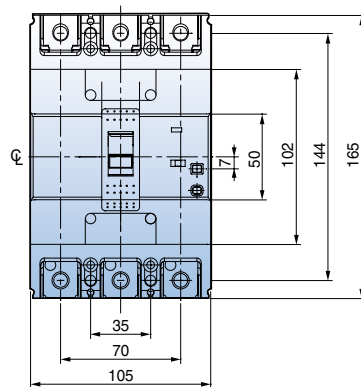
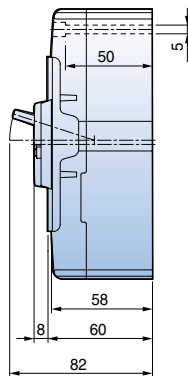
(Fig. 1)



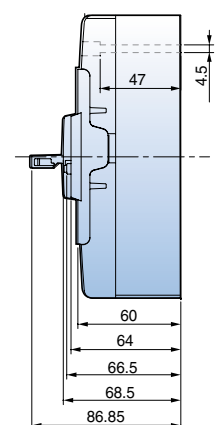
100AF		125AF		250AF		
N-Type	S-Type	H-Type	N-Type	S-Type	H-Type	
EBN102c	-	-	EBN202c	-	-	
EBN103c	EBS103c	EBH103c	EBN203c	EBS203c	EBH203c	
EBN104c	EBS104c	EBH104c	-	EBS204c	EBH204c	
Overload, Short-circuit and Ground fault	Overload, Short-circuit and Ground fault		Overload, Short-circuit and Ground fault			
60, 75, 100	15, 20, 30, 40, 50, 60, 75, 100, 125		100, 125, 150, 175, 200, 225, 250			
30, 100/200/500mA	30, 100/200/500mA		30, 100/200/500mA			
220/460	220/460		220/460			
6	6		6			
≤0.1 sec	≤0.1 sec		≤0.1 sec			
18	37	50	26	37	50	
35	85	100	65	85	100	
75 × 130 × 60mm (Fig. 1)	90 × 155 × 60mm (Fig. 2)		105 × 165 × 60mm (Fig. 3)			
60 page	62 page		64 page			
87 page	88 page		89 page			
100 page	101 page		102 page			



(Fig. 2)



(Fig. 3)



# Quick selection table Earth Leakage Circuit Breakers

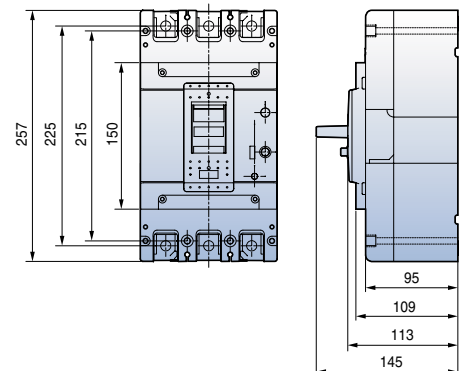


## ELCBs

AF		400AF			
Type		N-Type	S-Type	H-Type	L-Type
Type and Pole	3-pole	EBN403c	EBS403c	EBH403c	EBL403c
	4-pole	EBN404c	EBS404c	EBH404c	EBL404c
Protective function		Overload, Short-circuit and Ground fault			
Rated current, I <sub>n</sub>	A	250, 300, 350, 400			
Rated residual current, I <sub>Δn</sub>	mA	30, 100/200/500mA			
Rated operational voltage, U <sub>e</sub>	AC(V)	220/460	220/460	220/460	220/460
Rated impulse withstand voltage, U <sub>imp</sub>	kV	6	6	6	6
Residual current off-time at I <sub>Δn</sub>	sec	0.1 sec	0.1 sec	0.1 sec	0.1 sec
<b>Rated short-circuit breaking capacity (I<sub>cu</sub>) kA (Sym), KSC8321, IEC 60947-2</b>					
AC	415/460V	37	50	65	85
	220/250V	50	75	85	125
I <sub>cs</sub> =% × I <sub>cu</sub>		100	100	100	75
Dimensions (mm)	W × H × D	140 × 257 × 109mm			
	(3-pole)	(Fig. 4)			
More info.	Ratings	66 page			
	Curves	90 page			
	Drawings	103 page			

Note) MCCBs other than 1000/1200AF can be applied to both 50 and 60Hz.

Type	AF	400AF	800AF	1000AF	1200AF
EBN		EBN400c 37kA	EBN800c 37kA		
EBS		EBS400c 50kA	EBS800c 65kA	EBS1000b 65kA	EBS1200b 65kA
EBH		EBH400c 65kA			
EBL		EBL400c 85kA	EBL800c 85kA		

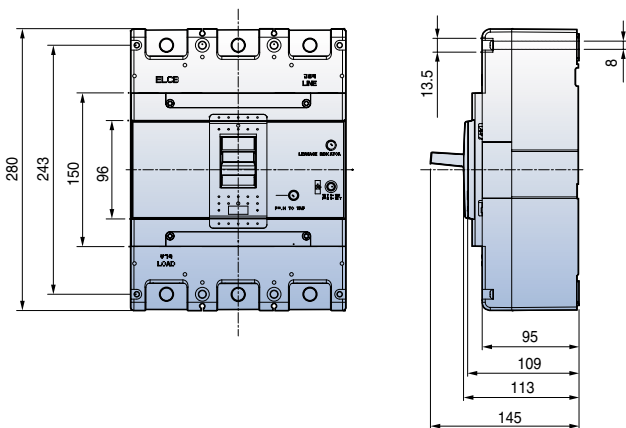


(Fig. 4)

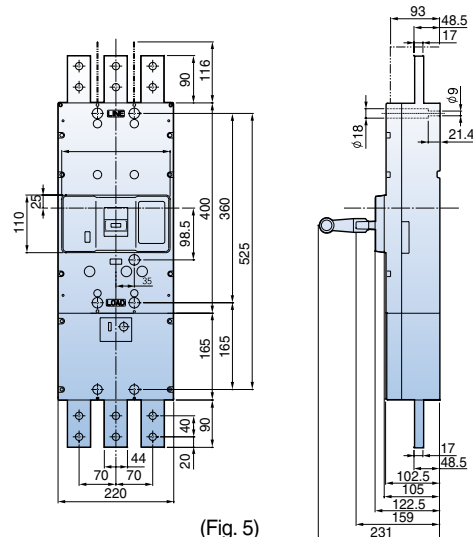




800 AF			1000 AF	1200 AF
N-Type	S-Type	L-Type	S-Type	S-Type
EBN803c	EBS803c	EBL803c	EBS1003b	EBS1203b
-	-	-	-	-
Overload, Short-circuit and Ground fault			Overload, Short-circuit and Ground fault	
500, 630, 700, 800			1000	1200
30, 100/200/500mA			100/200/500mA	100/200/500mA
220/460	220/460	220/460	220/460	220/460
6	6	6	-	-
0.1 sec	0.1 sec	0.1 sec	0.1 sec	0.1 sec
37	65	85	85	85
50	85	125	125	125
100	100	75	-	-
210 × 280 × 109mm (Fig. 5)			220 × 565 × 105mm (Fig. 6)	
68 page			70 page	
90 page			91 page	
104 page			105 page	



(Fig. 5)



(Fig. 5)

# 30AF MCCB

## ABE30b

Metasol



ABE32b



ABE33b

### Ratings

Frame size		30AF		
<b>Type and Pole</b>		<b>E-Type</b>		
	2-pole	<b>ABE32b</b>		
	3-pole	<b>ABE33b</b>		
	4-pole	-		
Rated current, I <sub>n</sub>		3-5-10-15-20-30A		
Rated operational voltage, U <sub>e</sub>		AC : 460V		
		-		
Rated insulation voltage, U <sub>i</sub>		AC : 460V		
Rated impulse withstand voltage, U <sub>imp</sub>		6kV		
<b>Rated short-circuit breaking capacity, I<sub>cu</sub></b>		<b>E-Type</b>		
AC	690V	-		
IEC 60947-2 (I <sub>cu</sub> )	480/500V	-		
	<b>460V</b>	<b>2.5kA</b>		
	415V	2.5kA		
	380V	2.5kA		
	<b>220/250V</b>	<b>5kA</b>		
DC	500V (3P)	-		
	250V (2P)	-		
<b>Protective function</b>		Overload, Short-circuit		
Type of trip unit		Hydraulic-Magnetic		
Magnetic trip range		12I <sub>n</sub>		
Endurance	Mechanical	8500 operations		
	Electrical	1500 operations		
Connection	Standard	Front connection		
	Optional	-		
Mounting		Standard		
		Screw fixing		
<b>Dimensions (mm)</b>		Pole	2p	3p
		a	50	75
		b	96	96
		c1 <small>Note)</small>	60	60
		c2 <small>Note)</small>	-	-
		d	80	80
		Weight, kg	Standard	0.5
<b>Certification</b>		Pole	2p	3p
CE marking		☐	○	○

Note) Depth by door cut size : c1 for large cut, c2 for small cut

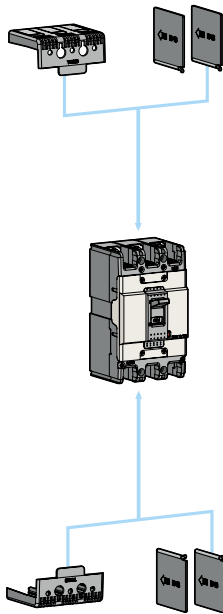
#### For more information

- Drawings ▶ 92 page
- Trip curves ▶ 87 page
- Accessories ▶ 72 page
- Connection and mounting ▶ 100 page

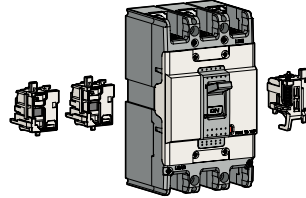
## Ordering types

### Breaker types

ABE type (2.5kA/460V)		
Rated current, In	2-pole	3-pole
3 A	ABE32b/3	ABE33b/3
5 A	ABE32b/5	ABE33b/5
10 A	ABE32b/10	ABE33b/10
15 A	ABE32b/15	ABE33b/15
20 A	ABE32b/20	ABE33b/20
30 A	ABE32b/30	ABE33b/30

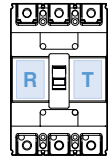


### Accessories



#### Electrical auxiliaries

AX	Auxiliary Switch
AL	Alarm Switch
SHT	Shunt Trip



#### Maximum possibilities

T-position	One of above auxiliaries
R-position	Option of AX or AL

Note) For more detail see 72 page



#### External accessories

ABE30b	Name
IB13	Insulation barrier
TBS23	Short type

Note) For more detail see 80 page

# 30AF MCCB ABS30c

Metasol



ABS52c



ABS53c



ABS54c

## Ratings

Frame size		<b>30AF</b>			
<b>Type and Pole</b>		<b>S-Type</b>			
2-pole		<b>ABS32c</b>			
3-pole		<b>ABS33c</b>			
4-pole		<b>ABS34c</b>			
Rated current, I <sub>n</sub>		(3-5-10)-15-20-30A			
Rated operational voltage, U <sub>e</sub>		AC: 690V			
		DC: 500V			
Rated insulation voltage, U <sub>i</sub>		AC: 750V			
Rated impulse withstand voltage, U <sub>imp</sub>		8kV			
<b>Rated short-circuit breaking capacity, I<sub>cu</sub></b>		<b>S-Type</b>			
AC 690V				2.5 kA	
480/500V				7.5 kA	
IEC 60947-2 (I <sub>cu</sub> )		<b>460V</b>		<b>14 (10)kA</b>	
		415V		14 (10)kA	
		380V		18 (14)kA	
		<b>220/250V</b>		<b>30 (25)kA</b>	
DC 500V(3P)				5 kA	
250V(2P)				5 kA	
<b>Protective function</b>		Overload, Short-circuit			
Type of trip unit		Thermal-Magnetic			
Magnetic trip range		400A			
Endurance		Mechanical		25000 operations	
		Electrical		10000 operations	
Connection		Standard		Front connection	
		Optional		Rear connection	
				Plug-in	
Mounting		Standard		Screw fixing	
<b>Dimensions (mm)</b>		Pole	2p	3p	4p
		a	50	75	100
		b	130	130	130
		c1 <i>Note)</i>	60	60	60
		c2 <i>Note)</i>	64	64	64
		d	82	82	82
		Weight, kg	Standard	0.5	0.7
<b>Certification</b>		Pole	2p	3p	4p
CE marking			○	○	○

*Note)* Depth by door cut size : c1 for large cut, c2 for small cut

### For more information

- Drawings ▶ 93 page
- Trip curves ▶ 87 page
- Accessories ▶ 72 page
- Connection and mounting ▶ 110 page

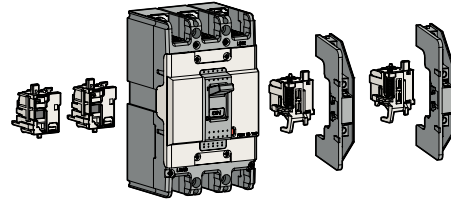
## Ordering types

### Breaker types

ABS type (10kA/460V)			
Rated current, In	2-pole	3-pole	4-pole
3 A	ABS32c/3	ABS33c/3	ABS34c/3
5 A	ABS32c/5	ABS33c/5	ABS34c/5
10 A	ABS32c/10	ABS33c/10	ABS34c/10

ABS type (14kA/460V)			
Rated current, In	2-pole	3-pole	4-pole
15 A	ABS32c/15	ABS33c/15	ABS34c/15
20 A	ABS32c/20	ABS33c/20	ABS34c/20
30 A	ABS32c/30	ABS33c/30	ABS34c/30

### Accessories



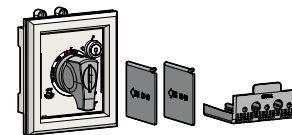
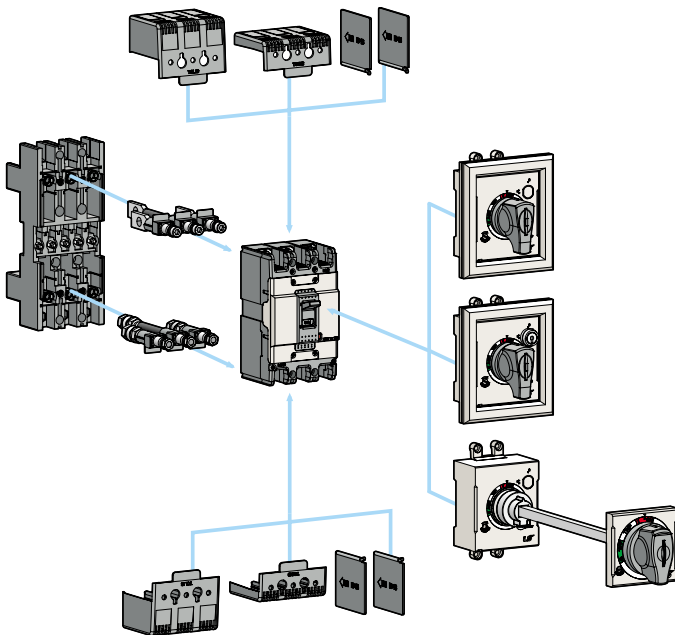
### Electrical auxiliaries

AX	Auxiliary Switch	
AL	Alarm Switch	
AX+AL	Combination switch	
SHT	Shunt Trip	
UVT	Undervoltage trip	

### Maximum possibilities

T-position	One of above auxiliaries
R-position	Option of AX or AL or AX+AL

Note) For more detail see 72 page



### External accessories

ABS30c	Name
IB13	Insulation barrier
TCL13	Terminal cover (Long)
TCS13	Terminal cover (Short)
DH100	Rotary handle (Direct)
DHK100	Rotary handle (Direct, Key lock)
EH100	Rotary handle (Extended)
RTR1	Rear terminal (Round)
PB-A3	Plug-in kit
PHL100C	Pad handle lock

Note) For more detail see 80 page

# 50AF MCCB

## ABN50c, ABS50c, ABH50c

Metasol



ABS52c



ABS53c



### Ratings

Frame size		50AF									
<b>Type and Pole</b>		<b>N-Type</b>			<b>S-Type</b>			<b>H-Type</b>			
2-pole		ABN52c			ABS52c			ABH52c			
3-pole		ABN53c			ABS53c			ABH53c			
4-pole		ABN54c			ABS54c			ABH54c			
Rated current, In		15-20-30-40-50A									
Rated operational voltage, Ue		AC: 690V DC: 500V									
Rated insulation voltage, Ui		AC: 750V									
Rated impulse withstand voltage, Uimp		8kV									
<b>Rated short-circuit breaking capacity, Icu</b>		<b>N-Type</b>			<b>S-Type</b>			<b>H-Type</b>			
AC 690V		2.5kA			5kA			10kA			
480/500V		7.5kA			10kA			35kA			
IEC 60947-2 (Icu)		460V			14kA			18kA			
IEC 60947-2 (Ics)		415V			14kA			18kA			
380V		18kA			22kA			50kA			
220/250V		30kA			35kA			100kA			
DC 500V(3P)		5kA			10kA			30kA			
250V(2P)		5kA			10kA			30kA			
<b>Protective function</b>		Overload, Short-circuit									
Type of trip unit		Thermal-Magnetic									
Magnetic trip range		12 × In (30A and under: 400A)									
Endurance		Mechanical			25000 operations						
		Electrical			10000 operations						
Connection		Standard			Front connection						
		Optional			Rear connection						
		Plug-in									
Mounting		Standard			Screw fixing						
<b>Dimensions (mm)</b>		Pole	2p	3p	4p	2p	3p	4p	2p	3p	4p
a			50	75	100	50	75	100	60	90	120
b				130			130			155	
c1 <i>Note)</i>				60			60			60	
c2 <i>Note)</i>				64			64			64	
d				82			82			82	
Weight, kg		Standard	0.5	0.7	0.9	0.5	0.7	0.9	0.7	1	1.2
<b>Certification</b>		Pole	2p	3p	4p	2p	3p	4p	2p	3p	4p
CE marking			⊕	⊕	⊕	⊕	⊕	⊕	⊕	⊕	⊕

*Note)* Depth by door cut size : c1 for large cut, c2 for small cut

#### For more information

- Drawings ▶ 93 page
- Trip curves ▶ 87, 88 page
- Accessories ▶ 72 page
- Connection and mounting ▶ 110 page

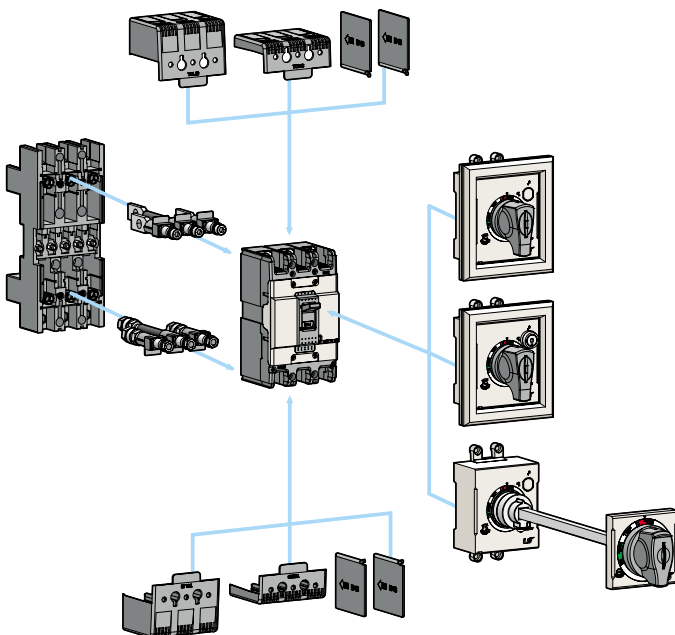
## Ordering types

### Breaker types

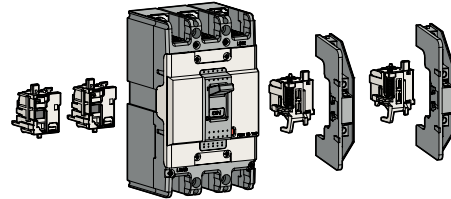
ABN type (14kA/460V)			
Rated current, In	2-pole	3-pole	4-pole
15 A	ABN52c/15	ABN53c/15	ABN54c/15
20 A	ABN52c/20	ABN53c/20	ABN54c/20
30 A	ABN52c/30	ABN53c/30	ABN54c/30
40 A	ABN52c/40	ABN53c/40	ABN54c/40
50 A	ABN52c/50	ABN53c/50	ABN54c/50

ABS type (18kA/460V)			
Rated current, In	2-pole	3-pole	4-pole
15 A	ABS52c/15	ABS53c/15	ABS54c/15
20 A	ABS52c/20	ABS53c/20	ABS54c/20
30 A	ABS52c/30	ABS53c/30	ABS54c/30
40 A	ABS52c/40	ABS53c/40	ABS54c/40
50 A	ABS52c/50	ABS53c/50	ABS54c/50

ABH type (50kA/460V)			
Rated current, In	2-pole	3-pole	4-pole
15 A	ABH52c/15	ABH53c/15	ABH54c/15
20 A	ABH52c/20	ABH53c/20	ABH54c/20
30 A	ABH52c/30	ABH53c/30	ABH54c/30
40 A	ABH52c/40	ABH53c/40	ABH54c/40
50 A	ABH52c/50	ABH53c/50	ABH54c/50

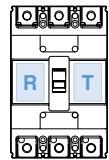


### Accessories



#### Electrical auxiliaries

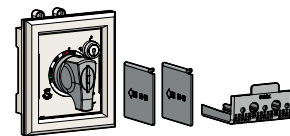
<b>AX</b>	Auxiliary Switch
<b>AL</b>	Alarm Switch
<b>AX+AL</b>	Combination switch
<b>SHT</b>	Shunt Trip
<b>UVT</b>	Undervoltage trip



#### Maximum possibilities

<b>T-position</b>	One of above auxiliaries
<b>R-position</b>	Option of AX or AL or AX+AL

(Note) For more detail see 72 page



#### External accessories

ABN50c ABS50c	ABH50c	Name
IB13	IB23	Insulation barrier
TCL13	TCL23	Terminal cover (Long)
TCS13	TCS23	Terminal cover (Short)
DH100	DH125	Rotary handle (Direct)
DHK100	DHK125	Rotary handle (Direct, Key lock)
EH100	EH125	Rotary handle (Extended)
-	RTB2	Rear terminal (Bar)
RTR1	RTR2	Rear terminal (Round)
PB-A3	PB-C3	Plug-in kit
PHL100	PHL125	Pad handle lock

(Note) For more detail see 80 page

# 60AF MCCB

## ABN60c, ABS60c

Metasol



ABS62c



ABS63c



ABS64c

### Ratings

Frame size		60AF						
<b>Type and Pole</b>		<b>N-Type</b>			<b>S-Type</b>			
	2-pole	ABN62c			ABS62c			
	3-pole	ABN63c			ABS63c			
	4-pole	ABN64c			ABS64c			
Rated current, I <sub>n</sub>		15-20-30-40-50-60A						
Rated operational voltage, U <sub>e</sub>		AC: 690V						
		DC: 500V						
Rated insulation voltage, U <sub>i</sub>		AC: 750V						
Rated impulse withstand voltage, U <sub>imp</sub>		8kV						
<b>Rated short-circuit breaking capacity, I<sub>cu</sub></b>		<b>N-Type</b>			<b>S-Type</b>			
AC	690V	2.5kA			5kA			
	480/500V	7.5kA			10kA			
IEC 60947-2 (I <sub>cu</sub> )		460V			18kA			
I <sub>cs</sub> =100%I <sub>cu</sub>	415V	14kA			18kA			
	380V	18kA			22kA			
	220/250V	30kA			35kA			
DC	500V(3P)	5kA			10kA			
	250V(2P)	5kA			10kA			
<b>Protective function</b>		Overload, Short-circuit						
Type of trip unit		Thermal-Magnetic						
Magnetic trip range		12 × I <sub>n</sub> (30A and under: 400A)						
Endurance	Mechanical	25000 operations						
	Electrical	10000 operations						
Connection	Standard	Front connection						
	Optional	Rear connection						
		Plug-in						
Mounting		Standard Screw fixing						
<b>Dimensions (mm)</b>		Pole	2p	3p	4p	2p	3p	4p
	a		50	75	100	50	75	100
	b			130			130	
	c1 <i>Note)</i>			60			60	
	c2 <i>Note)</i>			64			64	
	d			82			82	
	Weight, kg	Standard	0.5	0.7	0.9	0.5	0.7	0.9
<b>Certification</b>		Pole	2p	3p	4p	2p	3p	4p
CE marking			⊕	⊕	⊕	⊕	⊕	⊕

*Note)* Depth by door cut size : c1 for large cut, c2 for small cut

#### For more information

- Drawings ▶ 93 page
- Trip curves ▶ 87 page
- Accessories ▶ 72 page
- Connection and mounting ▶ 110 page



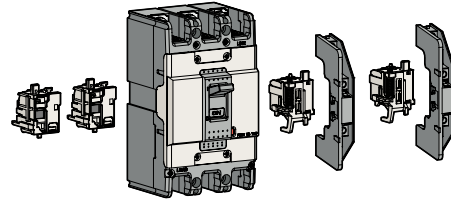
## Ordering types

### Breaker types

ABN type (14kA/460V)			
Rated current, In	2-pole	3-pole	4-pole
15 A	ABN62c/15	ABN63c/15	ABN64c/15
20 A	ABN62c/20	ABN63c/20	ABN64c/20
30 A	ABN62c/30	ABN63c/30	ABN64c/30
40 A	ABN62c/40	ABN63c/40	ABN64c/40
50 A	ABN62c/50	ABN63c/50	ABN64c/50
60 A	ABN62c/60	ABN63c/60	ABN64c/60

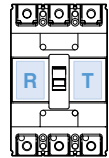
ABS type (18kA/460V)			
Rated current, In	2-pole	3-pole	4-pole
15 A	ABS62c/15	ABS63c/15	ABS64c/15
20 A	ABS62c/20	ABS63c/20	ABS64c/20
30 A	ABS62c/30	ABS63c/30	ABS64c/30
40 A	ABS62c/40	ABS63c/40	ABS64c/40
50 A	ABS62c/50	ABS63c/50	ABS64c/50
60 A	ABS62c/60	ABS63c/60	ABS64c/60

### Accessories



#### Electrical auxiliaries

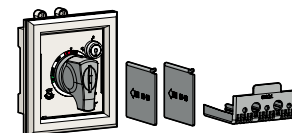
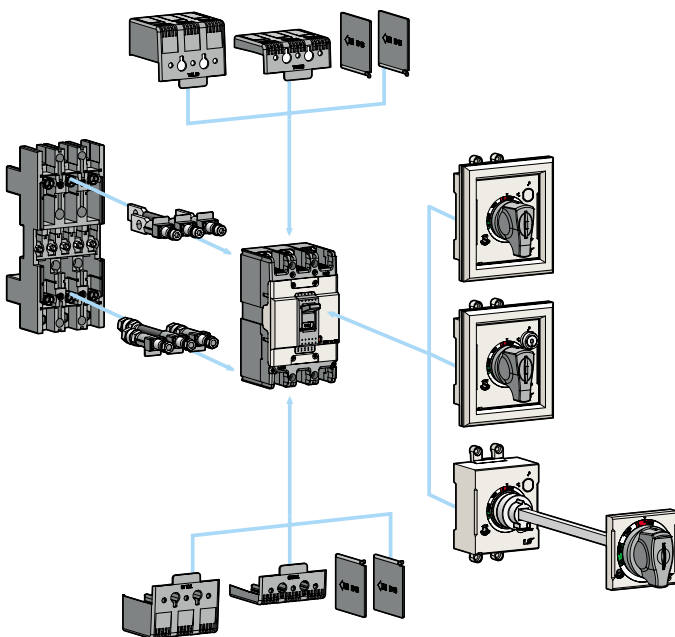
<b>AX</b>	Auxiliary Switch
<b>AL</b>	Alarm Switch
<b>AX+AL</b>	Combination switch
<b>SHT</b>	Shunt Trip
<b>UVT</b>	Undervoltage trip



#### Maximum possibilities

<b>T-position</b>	One of above auxiliaries
<b>R-position</b>	Option of AX or AL or AX+AL

Note) For more detail see 72 page



#### External accessories

ABS60c ABN60c	Name
<b>IB13</b>	Insulation barrier
<b>TCL13</b>	Terminal cover (Long)
<b>TCS13</b>	Terminal cover (Short)
<b>DH100</b>	Rotary handle (Direct)
<b>DHK100</b>	Rotary handle (Direct, Key lock)
<b>EH100</b>	Rotary handle (Extended)
<b>RTB1</b>	Rear terminal (Bar)
<b>RTR1</b>	Rear terminal (Round)
<b>PB-A3</b>	Plug-in kit
<b>PHL100</b>	Pad handle lock

Note) For more detail see 80 page

# 100AF MCCB

## ABN100c

Metasol



ABN102c



ABN103c



ABN104c

### Ratings

Frame size	<b>100AF</b>			
<b>Type and Pole</b>	<b>N-Type</b>			
2-pole				<b>ABN102c</b>
3-pole				<b>ABN103c</b>
4-pole				<b>ABN104c</b>
Rated current, I <sub>n</sub>	15-20-30-40-50-60-75-100A			
Rated operational voltage, U <sub>e</sub>	AC: 690V			
	DC: 500V			
Rated insulation voltage, U <sub>i</sub>	AC: 750V			
Rated impulse withstand voltage, U <sub>imp</sub>	8kV			
<b>Rated short-circuit breaking capacity, I<sub>cu</sub></b>				<b>N-Type</b>
AC 690V	480/500V			5kA
				10kA
IEC 60947-2 (I <sub>cu</sub> )	<b>460V</b>			<b>18kA</b>
I <sub>cs</sub> =100%I <sub>cu</sub>	415V			18kA
	380V			22kA
DC 500V(3P)	<b>220/250V</b>			<b>35kA</b>
				10kA
DC 250V(2P)				10kA
				10kA
<b>Protective function</b>	Overload, Short-circuit			
Type of trip unit	Thermal-Magnetic			
Magnetic trip range	400A			
Endurance	Mechanical	25000 operations		
	Electrical	10000 operations		
Connection	Standard	Front connection		
	Optional	Rear connection		
Mounting		Plug-in		
	Standard	Screw fixing		
<b>Dimensions (mm)</b>	Pole	2p	3p	4p
	a	50	75	100
	b	130	130	130
	c1 <i>Note)</i>	60	60	60
	c2 <i>Note)</i>	64	64	64
	d	82	82	82
	Weight, kg	Standard	0.5	0.7
<b>Certification</b>	Pole	2p	3p	4p
CE marking		○	○	○

*Note)* Depth by door cut size : c1 for large cut, c2 for small cut

#### For more information

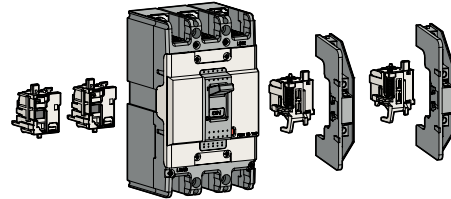
- Drawings ▶ 93 page
- Trip curves ▶ 87 page
- Accessories ▶ 72 page
- Connection and mounting ▶ 110 page

## Ordering types

### Breaker types

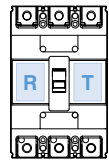
ABN type (14kA/460V)			
Rated current, In	2-pole	3-pole	4-pole
15 A	ABN102c/15	ABN103c/15	ABN104c/15
20 A	ABN102c/20	ABN103c/20	ABN104c/20
30 A	ABN102c/30	ABN103c/30	ABN104c/30
40 A	ABN102c/40	ABN103c/40	ABN104c/40
50 A	ABN102c/50	ABN103c/50	ABN104c/50
60 A	ABN102c/60	ABN103c/60	ABN104c/60
75 A	ABN102c/75	ABN103c/75	ABN104c/75
100 A	ABN102c/100	ABN103c/100	ABN104c/100

### Accessories



#### Electrical auxiliaries

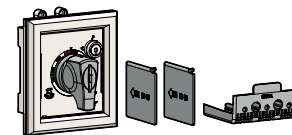
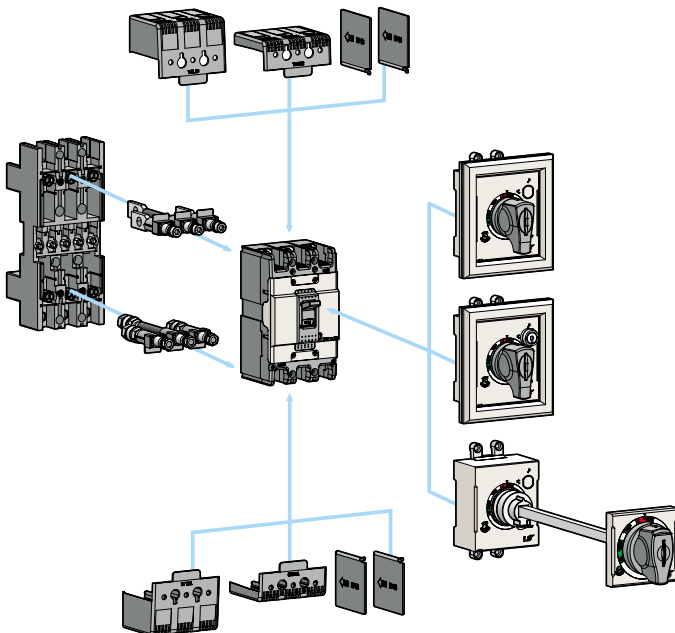
<b>AX</b>	Auxiliary Switch
<b>AL</b>	Alarm Switch
<b>AX+AL</b>	Combination switch
<b>SHT</b>	Shunt Trip
<b>UVT</b>	Undervoltage trip



#### Maximum possibilities

<b>T-position</b>	One of above auxiliaries
<b>R-position</b>	Option of AX or AL or AX+AL

Note) For more detail see 72 page



#### External accessories

ABN100c	Name
<b>IB13</b>	Insulation barrier
<b>TCL13</b>	Terminal cover (Long)
<b>TCS13</b>	Terminal cover (Short)
<b>DH100</b>	Rotary handle (Direct)
<b>DHK100</b>	Rotary handle (Direct, Key lock)
<b>EH100</b>	Rotary handle (Extended)
<b>RTB1</b>	Rear terminal (Bar)
<b>RTR1</b>	Rear terminal (Round)
<b>PB-A3</b>	Plug-in kit
<b>PHL100</b>	Pad handle lock

Note) For more detail see 80 page

# 125AF MCCB

## ABS125c, ABH125c

Metasol



ABS102c



ABS103c



ABS104c

### For more information

- Drawings ▶ 94 page
- Trip curves ▶ 88 page
- Accessories ▶ 72 page
- Connection and mounting ▶ 110 page

## Ratings

Frame size		125AF						
<b>Type and Pole</b>		<b>S-Type</b>			<b>H-Type</b>			
2-pole		<b>ABS102c</b>			<b>ABH102c</b>			
3-pole		<b>ABS103c</b>			<b>ABH103c</b>			
4-pole		<b>ABS104c</b>			<b>ABH104c</b>			
Rated current, I <sub>n</sub>		15-20-30-40-50-60-75-100-125A						
Rated operational voltage, U <sub>e</sub>		AC: 690V						
		DC: 500V						
Rated insulation voltage, U <sub>i</sub>		AC: 750V						
Rated impulse withstand voltage, U <sub>imp</sub>		8kV						
<b>Rated short-circuit breaking capacity, I<sub>cu</sub></b>		<b>S-Type</b>			<b>H-Type</b>			
AC 690V		8kA			10kA			
480/500V		26kA			35kA			
IEC 60947-2 (I <sub>cu</sub> )		<b>460V</b>			<b>37kA</b>			
I <sub>cs</sub> =100%I <sub>cu</sub>		415V			50kA			
		380V			50kA			
		<b>220/250V</b>			<b>85kA</b>			
DC 500V(3P)		20kA			30kA			
250V(2P)		20kA			30kA			
<b>Protective function</b>		Overload, Short-circuit						
Type of trip unit		Thermal-Magnetic						
Magnetic trip range		12 × I <sub>n</sub> (30A and under: 400A)						
Endurance		Mechanical		25000 operations				
		Electrical		10000 operations				
Connection		Standard		Front connection				
		Optional		Rear connection				
				Plug-in				
Mounting		Standard		Screw fixing				
<b>Dimensions (mm)</b>		Pole	2p	3p	4p	2p	3p	4p
		a	60	90	120	60	90	120
		b	155			155		
		c1 <i>Note)</i>	60			60		
		c2 <i>Note)</i>	64			64		
		d	82			82		
Weight, kg		Standard	0.7	1	1.2	0.7	1	1.2
<b>Certification</b>		Pole	2p	3p	4p	2p	3p	4p
CE marking			⊕	⊕	⊕	⊕	⊕	⊕

*Note)* Depth by door cut size : c1 for large cut, c2 for small cut

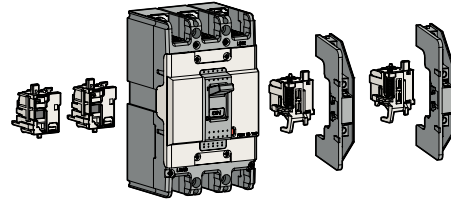
## Ordering types

### Breaker types

ABS type (37kA/460V)			
Rated current, In	2-pole	3-pole	4-pole
15 A	ABS102c/15	ABS103c/15	ABS104c/15
20 A	ABS102c/20	ABS103c/20	ABS104c/20
30 A	ABS102c/30	ABS103c/30	ABS104c/30
40 A	ABS102c/40	ABS103c/40	ABS104c/40
50 A	ABS102c/50	ABS103c/50	ABS104c/50
60 A	ABS102c/60	ABS103c/60	ABS104c/60
75 A	ABS102c/75	ABS103c/75	ABS104c/75
100 A	ABS102c/100	ABS103c/100	ABS104c/100
125 A	ABS102c/125	ABS103c/125	ABS104c/125

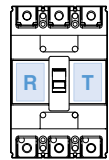
ABH type (50kA/460V)			
Rated current, In	2-pole	3-pole	4-pole
15 A	ABH102c/15	ABH103c/15	ABH104c/15
20 A	ABH102c/20	ABH103c/20	ABH104c/20
30 A	ABH102c/30	ABH103c/30	ABH104c/30
40 A	ABH102c/40	ABH103c/40	ABH104c/40
50 A	ABH102c/50	ABH103c/50	ABH104c/50
60 A	ABH102c/60	ABH103c/60	ABH104c/60
75 A	ABH102c/75	ABH103c/75	ABH104c/75
100 A	ABH102c/100	ABH103c/100	ABH104c/100
125 A	ABH102c/125	ABH103c/125	ABH104c/125

### Accessories



#### Electrical auxiliaries

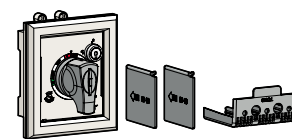
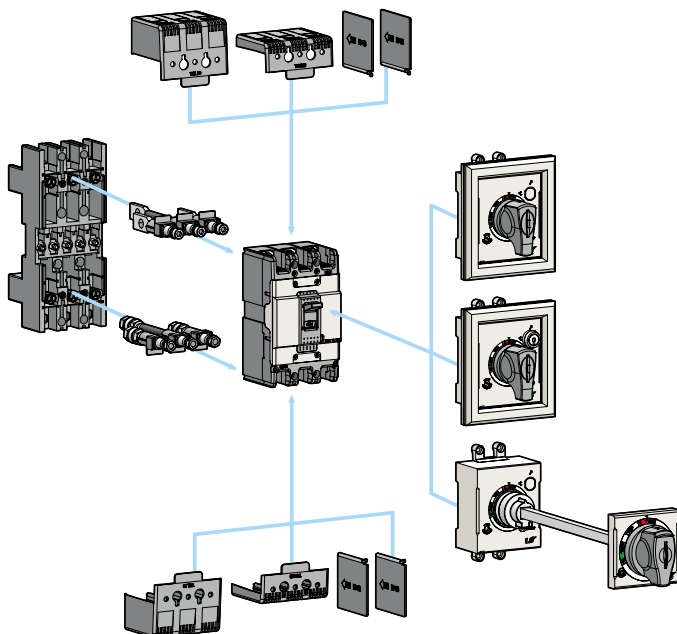
<b>AX</b>	Auxiliary Switch
<b>AL</b>	Alarm Switch
<b>AX+AL</b>	Combination switch
<b>SHT</b>	Shunt Trip
<b>UVT</b>	Undervoltage trip



#### Maximum possibilities

<b>T-position</b>	One of above auxiliaries
<b>R-position</b>	Option of AX or AL or AX+AL

Note) For more detail see 72 page



#### External accessories

ABS125c ABH125c	Name
<b>IB23</b>	Insulation barrier
<b>TCL23</b>	Terminal cover (Long)
<b>TCS23</b>	Terminal cover (Short)
<b>DH125</b>	Rotary handle (Direct)
<b>DHK125</b>	Rotary handle (Direct, Key lock)
<b>EH125</b>	Rotary handle (Extended)
<b>RTB2</b>	Rear terminal (Bar)
<b>RTR2</b>	Rear terminal (Round)
<b>PB-C3</b>	Plug-in kit
<b>PHL125</b>	Pad handle lock

Note) For more detail see 80 page

# 250AF MCCB

ABN250c, ABS250c, ABH250c

Metasol



ABS202c



ABS203c



ABS204c

## Ratings

Frame size		250AF										
<b>Type and Pole</b>		<b>N-Type</b>			<b>S-Type</b>			<b>H-Type</b>				
2-pole		ABN202c			ABS202c			ABH202c				
3-pole		ABN203c			ABS203c			ABH203c				
4-pole		ABN204c			ABS204c			ABH204c				
Rated current, In		100-125-150-175-200-225-250A										
Rated operational voltage, Ue		AC: 690V										
		DC: 500V										
Rated insulation voltage, Ui		AC: 750V										
Rated impulse withstand voltage, Uimp		8kV										
<b>Rated short-circuit breaking capacity, Icu</b>		<b>N-Type</b>			<b>S-Type</b>			<b>H-Type</b>				
AC 690V		8kA			8kA			10kA				
480/500V		18kA			26kA			35kA				
IEC 60947-2 (Icu)		460V			26kA			37kA				
IEC 60947-2 (Icu)		26kA			37kA			50kA				
IEC 60947-2 (Icu)		415V			26kA			37kA				
IEC 60947-2 (Icu)		380V			30kA			42kA				
IEC 60947-2 (Icu)		220/250V			65kA			85kA				
IEC 60947-2 (Icu)		100kA			100kA			100kA				
DC 500V(3P)		10kA			20kA			30kA				
DC 250V(2P)		10kA			20kA			30kA				
<b>Protective function</b>		Overload, Short-circuit										
Type of trip unit		Thermal-Magnetic										
Magnetic trip range		12 × In										
Endurance		Mechanical			25000 operations							
		Electrical			10000 operations							
Connection		Standard			Front connection							
		Optional			Rear connection							
					Plug-in							
Mounting		Standard			Screw fixing							
<b>Dimensions (mm)</b>		Pole		2p	3p	4p	2p	3p	4p	2p	3p	4p
		a		105	105	140	105	105	140	105	105	140
		b		165			165			165		
		c1 Note)		60			60			60		
		c2 Note)		64			64			64		
		d		87			87			87		
Weight, kg		Standard	1.1	1.2	1.6	1.1	1.2	1.6	1.1	1.2	1.6	
<b>Certification</b>		Pole	2p	3p	4p	2p	3p	4p	2p	3p	4p	
CE marking		CE		○			○			○		

Note) Depth by door cut size : c1 for large cut, c2 for small cut

### For more information

- Drawings ▶ 95 page
- Trip curves ▶ 89 page
- Accessories ▶ 72 page
- Connection and mounting ▶ 110 page

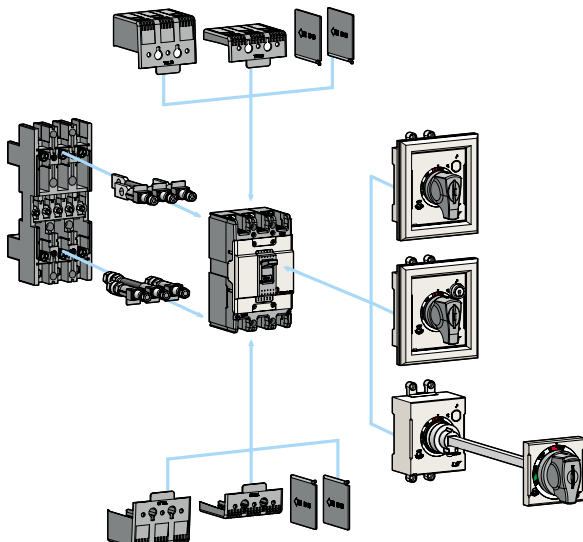
## Ordering types

### Breaker types

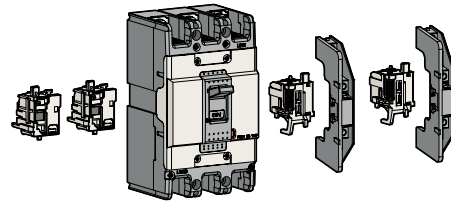
ABN type (25kA/460V)			
Rated current, In	2-pole	3-pole	4-pole
100 A	ABN202c/100	ABN203c/100	ABN204c/100
125 A	ABN202c/125	ABN203c/125	ABN204c/125
150 A	ABN202c/150	ABN203c/150	ABN204c/150
175 A	ABN202c/175	ABN203c/175	ABN204c/175
200 A	ABN202c/200	ABN203c/200	ABN204c/200
225 A	ABN202c/225	ABN203c/225	ABN204c/225
250 A	ABN202c/250	ABN203c/250	ABN204c/250

ABS type (37kA/460V)			
Rated current, In	2-pole	3-pole	4-pole
100 A	ABS202c/100	ABS203c/100	ABS204c/100
125 A	ABS202c/125	ABS203c/125	ABS204c/125
150 A	ABS202c/150	ABS203c/150	ABS204c/150
175 A	ABS202c/175	ABS203c/175	ABS204c/175
200 A	ABS202c/200	ABS203c/200	ABS204c/200
225 A	ABS202c/225	ABS203c/225	ABS204c/225
250 A	ABS202c/250	ABS203c/250	ABS204c/250

ABH type (50kA/460V)			
Rated current, In	2-pole	3-pole	4-pole
100 A	ABH202c/100	ABH203c/100	ABH204c/100
125 A	ABH202c/125	ABH203c/125	ABH204c/125
150 A	ABH202c/150	ABH203c/150	ABH204c/150
175 A	ABH202c/175	ABH203c/175	ABH204c/175
200 A	ABH202c/200	ABH203c/200	ABH204c/200
225 A	ABH202c/225	ABH203c/225	ABH204c/225
250 A	ABH202c/250	ABH203c/250	ABH204c/250

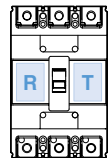


### Accessories



#### Electrical auxiliaries

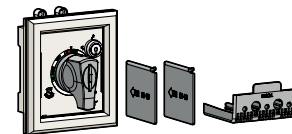
<b>AX</b>	Auxiliary Switch
<b>AL</b>	Alarm Switch
<b>AX+AL</b>	Combination switch
<b>SHT</b>	Shunt Trip
<b>UVT</b>	Undervoltage trip



#### Maximum possibilities

<b>T-position</b>	One of above auxiliaries
<b>R-position</b>	Option of AX or AL or AX+AL

Note) For more detail see 72 page



#### External accessories

ABH250c	Name
<b>B33</b>	Insulation barrier
<b>TCL33</b>	Terminal cover (Long)
<b>TCS33</b>	Terminal cover (Short)
<b>DH250</b>	Rotary handle (Direct)
<b>DHK250</b>	Rotary handle (Direct, Key lock)
<b>EH250</b>	Rotary handle (Extended)
<b>RTB3</b>	Rear terminal (Bar)
<b>RTR3</b>	Rear terminal (Round)
<b>PBA250C</b>	Plug-in kit
<b>PHL250</b>	Pad handle lock

Note) For more detail see 80 page

# 400AF MCCB

## ABN400c, ABS400c, ABH400c, ABL400c

Metasol



ABS403c



ABL404c

### Ratings

Frame size		400AF													
<b>Type and Pole</b>		<b>N-Type</b>			<b>S-Type</b>			<b>H-Type</b>			<b>L-Type</b>				
2-pole		ABN402c			ABS402c			ABH402c			ABL402c				
3-pole		ABN403c			ABS403c			ABH403c			ABL403c				
4-pole		ABN404c			ABS404c			ABH404c			ABL404c				
Rated current, In		250-300-350-400A													
Rated operational voltage, Ue		AC: 690V DC: 500V													
Rated insulation voltage, Ui		AC: 750V													
Rated impulse withstand voltage, Uimp		8kV													
<b>Rated short-circuit breaking capacity, Icu</b>		<b>N-Type</b>			<b>S-Type</b>			<b>H-Type</b>			<b>L-Type</b>				
AC 690V		5kA			8kA			10kA			14kA				
480/500V		18kA			35kA			50kA			65kA				
IEC 60947-2 (Icu)		415/460V			37kA			50kA			65kA				
380V		42kA			65kA			70kA			100kA				
220/250V		50kA			75kA			85kA			125kA				
DC 500V(3P)		10kA			20kA			40kA			40kA				
250V(3P)		10kA			20kA			40kA			40kA				
Ics=100%Icu		125V			100%			100%			75%				
<b>Protective function</b>		Overload, Short-circuit													
Type of trip unit		Thermal-Magnetic													
Magnetic trip range		8~12In													
Endurance		Mechanical			4000 operations										
		Electrical			1000 operations										
Connection		Standard			Front connection										
		Optional			Rear connection										
					Plug-in										
Mounting		Standard			Screw fixing										
<b>Dimensions (mm)</b>		Pole		2p	3p	4p	2p	3p	4p	2p	3p	4p	2p	3p	4p
		a		140	140	184	140	140	184	140	140	184	140	140	184
		b		257			257			257			257		
		c1 <small>Note)</small>		109			109			109			109		
		c2 <small>Note)</small>		113			113			113			113		
		d		145			145			145			145		
Weight, kg		Standard		5.2	6.2	7.8	5.2	6.2	7.8	5.2	6.2	7.8	5.2	6.2	7.8
<b>Certification</b>		Pole		2p	3p	4p	2p	3p	4p	2p	3p	4p	2p	3p	4p
CE marking		CE		○			○			○			○		

Note) Depth by door cut size : c1 for large cut, c2 for small cut

#### For more information

- Drawings ▶ 96 page
- Trip curves ▶ 90 page
- Accessories ▶ 72 page
- Connection and mounting ▶ 111 page



## Ordering types

### Breaker types

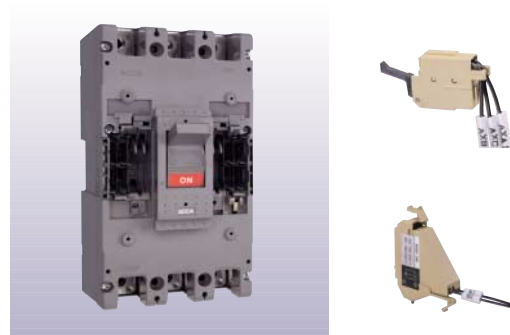
ABN type (37kA/460V)			
Rated current, In	2-pole	3-pole	4-pole
250 A	ABN402c/250	ABN403c/250	ABN404c/250
300 A	ABN402c/300	ABN403c/300	ABN404c/300
350 A	ABN402c/350	ABN403c/350	ABN404c/350
400 A	ABN402c/400	ABN403c/400	ABN404c/400

ABS type (50kA/460V)			
Rated current, In	2-pole	3-pole	4-pole
250 A	ABS402c/250	ABS403c/250	ABS404c/250
300 A	ABS402c/300	ABS403c/300	ABS404c/300
350 A	ABS402c/350	ABS403c/350	ABS404c/350
400 A	ABS402c/400	ABS403c/400	ABS404c/400

ABH type(65kA/460V)			
Rated current, In	2-pole	3-pole	4-pole
250 A	ABH402c/250	ABH403c/250	ABH404c/250
300 A	ABH402c/300	ABH403c/300	ABH404c/300
350 A	ABH402c/350	ABH403c/350	ABH404c/350
400 A	ABH402c/400	ABH403c/400	ABH404c/400

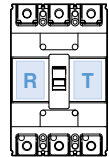
ABL type(85kA/460V)			
Rated current, In	2-pole	3-pole	4-pole
250 A	ABL402c/250	ABL403c/250	ABL404c/250
300 A	ABL402c/300	ABL403c/300	ABL404c/300
350 A	ABL402c/350	ABL403c/350	ABL404c/350
400 A	ABL402c/400	ABL403c/400	ABL404c/400

### Accessories



### Electrical auxiliaries

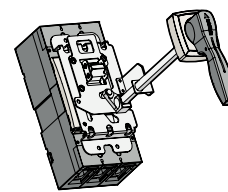
AX	Auxiliary Switch
AL	Alarm Switch
SHT	Shunt Trip
UVT	Undervoltage trip



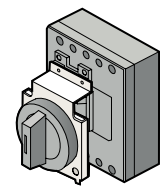
### Maximum possibilities

T-position	Option of 2AX, 2AL and SHT or UVT
R-position	Option of 2AX, 2AL and SHT or UVT

Note) For more detail see 73 page



E-70U



N-70

### External accessories

IBL400	Insulation barrier
T1-43A	Terminal cover (Long) - 2, 3pole
T1-44A	Terminal cover (Long) - 4pole
N-70	Rotary handle (Direct)
E-70U	Rotary handle (Extended)
MI-43	Mechanical interlock - 2, 3pole
MI-44	Mechanical interlock - 4pole
X-402	Rear terminal - 2pole
X-403	Rear terminal - 3pole
X-404	Rear terminal - 4pole
PB-I3-FR	Plug-in kit

Note) For more detail see 80 page

# 800AF MCCB

ABN800c, ABS800c, ABL800c

Metasol



ABS803c



ABL804c

## Ratings

Frame size		800AF									
<b>Type and Pole</b>		<b>N-Type</b>			<b>S-Type</b>			<b>L-Type</b>			
2-pole		ABN802c			ABS802c			ABL802c			
3-pole		ABN803c			ABS803c			ABL803c			
4-pole		ABN804c			ABS804c			ABL804c			
Rated current, In		500-630-700-800A									
Rated operational voltage, Ue		AC: 690V									
		DC: 500V									
Rated insulation voltage, Ui		AC: 750V									
Rated impulse withstand voltage, Uimp		8kV									
<b>Rated short-circuit breaking capacity, Icu</b>		<b>N-Type</b>			<b>S-Type</b>			<b>L-Type</b>			
AC 690V		8kA			10kA			14kA			
480/500V		25kA			45kA			65kA			
IEC 60947-2 (Icu)		415/460V			37kA			65kA			
380V		45kA			75kA			100kA			
220/250V		50kA			85kA			125kA			
DC 500V(3P)		10kA			20kA			40kA			
250V(3P)		10kA			20kA			40kA			
Ics=100%Icu		125V			100%			100%			
75%											
<b>Protective function</b>		Overload, Short-circuit									
Type of trip unit		Thermal-Magnetic									
Magnetic trip range		8~12In									
Endurance		Mechanical			2500 operations						
		Electrical			500 operations						
Connection		Standard			Front connection						
		Optional			Rear connection						
					Plug-in						
Mounting		Standard			Screw fixing						
<b>Dimensions (mm)</b>		Pole	2p	3p	4p	2p	3p	4p	2p	3p	4p
a			210	210	280	210	210	280	210	210	280
b				280			280			280	
c1 <i>Note)</i>				109			109			109	
c2 <i>Note)</i>				113			113			113	
d				145			145			145	
Weight, kg		Standard	11	11.5	18.2	11	11.5	18.2	11	11.5	18.2
<b>Certification</b>		Pole	2p	3p	4p	2p	3p	4p	2p	3p	4p
CE marking		CE		o			o			o	

*Note)* Depth by door cut size : c1 for large cut, c2 for small cut

### For more information

- Drawings ▶ 97 page
- Trip curves ▶ 90 page
- Accessories ▶ 72 page
- Connection and mounting ▶ 111 page

## Ordering types

### Breaker types

ABN type (37kA/460V)			
Rated current, In	2-pole	3-pole	4-pole
500 A	ABN802c/500	ABN803c/500	ABN804c/500
630 A	ABN802c/630	ABN803c/630	ABN804c/630
700 A	ABN802c/700	ABN803c/700	ABN804c/700
800 A	ABN802c/800	ABN803c/800	ABN804c/800

ABS type (65kA/460V)			
Rated current, In	2-pole	3-pole	4-pole
500 A	ABS802c/500	ABS803c/500	ABS804c/500
630 A	ABS802c/630	ABS803c/630	ABS804c/630
700 A	ABS802c/700	ABS803c/700	ABS804c/700
800 A	ABS802c/800	ABS803c/800	ABS804c/800

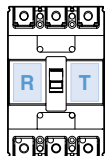
ABL type(85kA/460V)			
Rated current, In	2-pole	3-pole	4-pole
500 A	ABL802c/500	ABL803c/500	ABL804c/500
630 A	ABL802c/630	ABL803c/630	ABL804c/630
700 A	ABL802c/700	ABL803c/700	ABL804c/700
800 A	ABL802c/800	ABL803c/800	ABL804c/800

### Accessories



#### Electrical auxiliaries

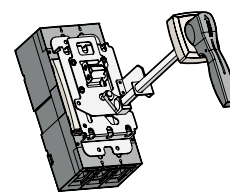
AX	Auxiliary Switch
AL	Alarm Switch
SHT	Shunt Trip
UVT	Undervoltage trip



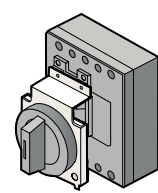
#### Maximum possibilities

T-position	Option of 2AX, 2AL and SHT or UVT
R-position	Option of 2AX, 2AL and SHT or UVT

Note) For more detail see 73 page



E-80U



N-80

#### External accessories

IBL800	Insulation barrier
T1-63A	Terminal cover (Long) - 2, 3pole
T1-64A	Terminal cover (Long) - 4pole
N-80	Rotary handle (Direct)
E-80U	Rotary handle (Extended)
MI-83S	Mechanical interlock - 2, 3pole
MI-84S	Mechanical interlock - 4pole
X-802	Rear terminal - 2pole
X-803	Rear terminal - 3pole
X-804	Rear terminal - 4pole
PB-J3-FR	Plug-in kit

Note) For more detail see 80 page

# 1000/1200AF MCCB

## ABS1000b/1200b, ABL1000b/1200b

Metasol



### Ratings

Frame size		1000AF		1200AF		
<b>Type and Pole</b>		<b>S-Type</b>	<b>L-Type</b>	<b>S-Type</b>	<b>L-Type</b>	
		2-pole	-	-	-	-
		3-pole	<b>ABS1003b</b>	<b>ABL1003b</b>	<b>ABS1203b</b>	<b>ABL1203b</b>
		4-pole	<b>ABS1004b</b>	<b>ABL1004b</b>	<b>ABS1204b</b>	<b>ABL1204b</b>
Rated current, In		1000A		1200A		
Rated operational voltage, Ue		AC: 600V				
Rated insulation voltage, Ui		690V				
Rated impulse withstand voltage, Uimp		6kV				
<b>Rated short-circuit breaking capacity, Icu</b>		<b>S-Type</b>		<b>L-Type</b>		
IEC 60947-2 (Icu)	AC 690V	45kA		65kA		
	480/500V	50kA		75kA		
	<b>415/460V</b>	<b>65kA</b>		<b>85kA</b>		
	380V	65kA		85kA		
	<b>220/250V</b>	<b>100kA</b>		<b>125kA</b>		
Ics=100%Icu	125V	50kA		50kA		
<b>Protective function</b>		Overload, Short-circuit				
Type of trip unit		Thermal-Magnetic				
Magnetic trip range		3-6 × In				
Endurance	Mechanical	2500 operations				
	Electrical	500 operations				
Connection		Standard Front connection				
Mounting		Standard Screw fixing				
<b>Dimensions (mm)</b>		Pole	3p	4p		
	a		220	290		
	b		400	400		
	c		105	105		
	d		159	159		
	Weight, kg	Standard	19.6	25.7		
<b>Certification</b>		Pole	3p	4p		
CE marking						

Note) Please specify the frequency when ordering.

#### For more information

- Drawings ▶ 98 page
- Trip curves ▶ 91 page

## Ordering types

### Breaker types

ABS type (65kA/460V)		
Rated current, In	3-pole	4-pole
1000 A	ABS1003b/1000	ABS1004b/1000
1200 A	ABS1203b/1200	ABS1204b/1200

ABL type (85kA/460V)		
Rated current, In	3-pole	4-pole
1000 A	ABL1003b/1000	ABL1004b/1000
1200 A	ABL1203b/1200	ABL1204b/1200

### Option of below items for T-position

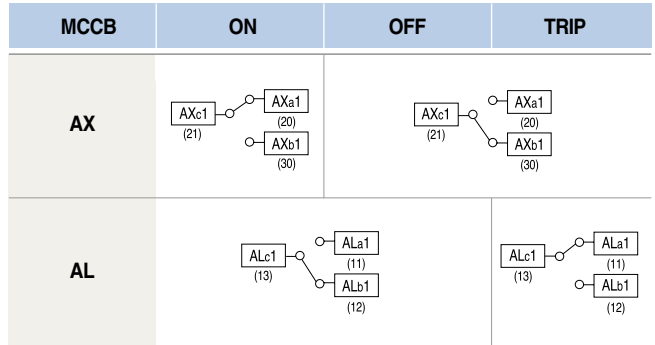
<b>AX1</b>	Auxiliary Switch (1c)
<b>AX2</b>	Auxiliary Switch (2c)
<b>AL1</b>	Alarm Switch (1c)
<b>AL2</b>	Alarm Switch (2c)
<b>AX1+AL</b>	Auxiliary (1c) + Alarm (1c) Switch
<b>AX2+AL</b>	Auxiliary (2c) + Alarm (1c) Switch



### Option of below items for R-position

<b>SHT</b>	Shunt Trip
<b>UVT</b>	Undervoltage trip

### Contact operation for Auxiliary and Alarm Switches



### Contact rating for Auxiliary and Alarm Switches

Voltage (V)	AC		DC	
	Current (A)		Current (A)	
	Resistive load	Inductive load	Resistive load	Inductive load
125	20	20	30	5
250	20	20	125	0.05
500	10	5	250	0.03

### Rating for Shunt trip (SHT)

Control voltage	Time rating	Operational voltage
AC 100~110V 200~220V 380~440V	Continuous	85~110% of control voltage
DC 48V 100~110V 200~220V		75~125% of control voltage

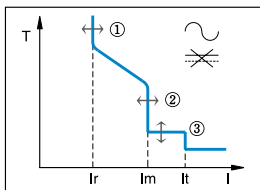
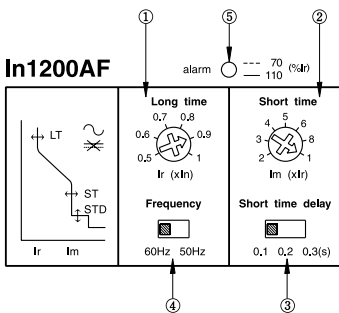
### Rating for Undervoltage release (UVT)

Control voltage	Time rating	Operational voltage	Trip voltage
AC 100~110V 200~220V 380~440V	Continuous	85~110% of control voltage	20~70% of control voltage
DC 100V 200V		85~125% of control voltage	20~70% of control voltage

# 1200AF Electronic MCCB

## ABS1203bE

Metasol



### For more information

- Drawings ▶ 99 page
- Trip curves ▶ 92 page

## Ratings

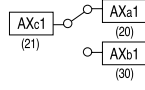
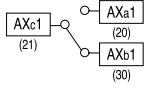
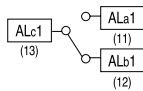
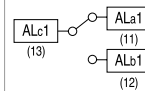
Frame size		<b>1200AF</b>	
<b>Type and Pole</b>		<b>S-Type</b>	
	2-pole	-	
	3-pole	<b>ABS1203bE</b>	
	4-pole	-	
Rated current, In		1200A	
Rated operational voltage, Ue		AC: 600V	
Rated insulation voltage, Ui		AC: 600V	
Rated impulse withstand voltage, Uimp		6kV	
<b>Type</b>	Long time	Current, IR	(0.5-0.6-0.7-0.8-0.9-1.0) × In, adjustable...①
	pick-up	time	5sec ± 20% at 6 × Ir, fixed
	Short time	Current, Im	(2-3-4-5-6-8-10) × In, adjustable...②
	pick-up	time	0.1-0.2-0.3 sec, adjustable...③
	Instantaneous	Current, It	11 × In, fixed
	pick-up	time	within 0.03 sec, fixed
⑤ LED	Pre-Alarm		between 70 to 110% of set current Ir: LED flickering over 110% of set current Ir: stays on
④	Rated frequency		50-60Hz selectable by the switch of the trip unit
<b>Rated short-circuit breaking capacity, Icu</b>		<b>S-Type</b>	
	AC 690V	45kA	
	480/500V	50kA	
	<b>415/460V</b>	<b>65kA</b>	
	380V	65kA	
	<b>220/250V</b>	<b>100kA</b>	
Ics=100%Icu		50%	
<b>Protective function</b>		Overload, Short-circuit	
Type of trip unit		Electronic type	
Endurance	Mechanical	2500 operations	
	Electrical	500 operations	
Connection	Standard	Front connection	
Mounting	Standard	Screw fixing	
<b>Dimensions (mm)</b>		Pole	3p
	a	220	
	b	400	
	c	105	
	d	159	
Weight, kg	Standard	21	

## Ordering types

### Breaker types

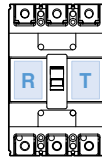
ABS type (65kA/460V)	
Rated current, In	3P
1200 A	ABS1203bE

### Contact operation for Auxiliary and Alarm Switches

MCCB	ON	OFF	TRIP
AX			
AL			

### Option of below items for T-position

AX1	Auxiliary Switch (1c)
AX2	Auxiliary Switch (2c)
AL1	Alarm Switch (1c)
AL2	Alarm Switch (2c)
AX1+AL	Auxiliary (1c) + Alarm (1c) Switch
AX2+AL	Auxiliary (2c) + Alarm (1c) Switch



### Contact rating for Auxiliary and Alarm Switches

Voltage (V)	AC		DC		Current (A)
	Resistive load	Inductive load	Voltage (V)	Resistive load	
125	20	20	30	6	5
250	20	20	125	0.4	0.05
500	10	5	250	0.2	0.03

### Option of below items for R-position

SHT	Shunt Trip
UVT	Undervoltage trip

### Rating for Shunt trip (SHT)

Control voltage	Time rating	Operational voltage
AC 100~110V 200~220V 380~440V	Continuous	85~110% of control voltage
DC 48V 100~110V 200~220V		75~125% of control voltage

### Rating for Undervoltage release (UVT)

Control voltage	Time rating	Operational voltage	Trip voltage
AC 100~110V 200~220V 380~440V	Continuous	85~110% of control voltage	20~70% of control voltage
DC 100V 200V		85~125% of control voltage	20~70% of control voltage

# 30AF ELCB

## EBS30c

Metasol



EBS33c

### Ratings

Frame size		<b>30AF</b>		
<b>Type and Pole</b>		<b>S-Type</b>		
	2-pole(2-sensor)	-		
	3-pole(3-sensor)	<b>EBS33c</b>		
	4-pole(3-sensor)	<b>EBS34c</b>		
Rated current, I <sub>n</sub>		5-10-15-20-30A		
Rated residual current, I <sub>Δn</sub>		30, 100/200/500mA (Adjustable)		
Residual current off-time at I <sub>Δn</sub>		≤0.1 sec		
Rated operational voltage, U <sub>e</sub>		AC: 220/460V		
Rated impulse withstand voltage, U <sub>imp</sub>		6kV		
Wiring system	2-pole(2-sensor)	-		
	3-pole(3-sensor)	1 ∅ 2W, 1 ∅ 3W, 3 ∅ 3W		
	4-pole(3-sensor)	1 ∅ 2W, 1 ∅ 3W, 3 ∅ 3W, 3 ∅ 4W		
<b>Rated short-circuit breaking capacity, I<sub>cu</sub></b>		<b>S-Type</b>		
	AC <b>460V</b>	<b>14 kA</b>		
	IEC 60947-2 (I <sub>cu</sub> )	14 kA		
	I <sub>cs</sub> =100%I <sub>cu</sub>	<b>30 kA</b>		
<b>Protective function</b>		Overload, Short-circuit and Ground fault		
Type of trip unit		Thermal-Magnetic		
Magnetic trip range		400A		
Endurance	Mechanical	25000 operations		
	Electrical	10000 operations		
Connection	Standard	Front connection		
	Optional	Rear connection		
Mounting		Plug-in		
Standard		Screw fixing		
<b>Dimensions (mm)</b>		Pole	3p	4p
	a	75	100	
	b	130	130	
	c1 <i>Note</i>	60	60	
	c2 <i>Note</i>	64	64	
	d	82	82	
	Weight, kg	Standard	0.7	0.9
<b>Certification</b>		Pole	3p	4p
CE marking		CE	○	○

*Note*) Depth by door cut size : c1 for large cut, c2 for small cut

#### For more information

- Drawings ▶ 100 page
- Trip curves ▶ 87 page
- Accessories ▶ 72 page
- Connection and mounting ▶ 110 page



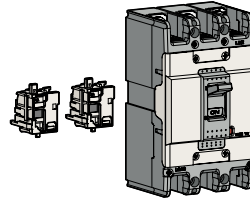
## Ordering types

### Breaker types

EBS type (14kA/460V)		
Rated current, I <sub>n</sub>	Rated residual current, I <sub>Δn</sub> : 30mA	
	3-pole	4-pole
5 A	EBS33c/5/30	EBS34c/5/30
10 A	EBS33c/10/30	EBS34c/10/30
15 A	EBS33c/15/30	EBS34c/15/30
20 A	EBS33c/20/30	EBS34c/20/30
30 A	EBS33c/30/30	EBS34c/30/30

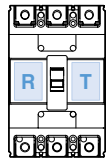
EBS type (14kA/460V)		
Rated current, I <sub>n</sub>	Rated residual current, I <sub>Δn</sub> : 100/200/500mA	
	3-pole	4-pole
5 A	EBS33c/5/100	EBS34c/5/100
10 A	EBS33c/10/100	EBS34c/10/100
15 A	EBS33c/15/100	EBS34c/15/100
20 A	EBS33c/20/100	EBS34c/20/100
30 A	EBS33c/30/100	EBS34c/30/100

### Accessories



#### Electrical auxiliaries

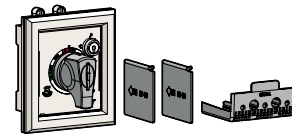
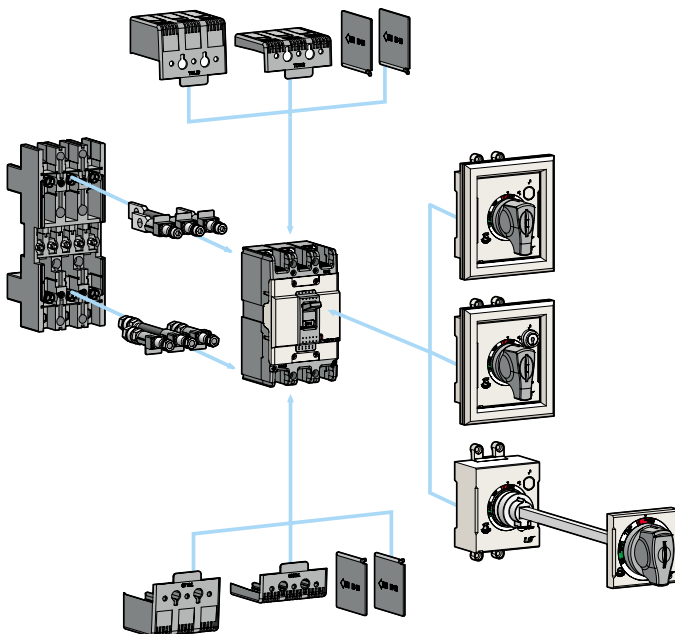
<b>AX</b>	Auxiliary Switch
<b>AL</b>	Alarm Switch
<b>AX+AL</b>	Combination switch



#### Maximum possibilities

<b>T-position</b>	Not available
<b>R-position</b>	Option of AX or AL or AX+AL

Note) For more detail see 72 page



#### External accessories

EBS30c	Name
<b>IB13</b>	Insulation barrier
<b>TCL13</b>	Terminal cover (Long)
<b>TCS13</b>	Terminal cover (Short)
<b>DH100</b>	Rotary handle (Direct)
<b>DHK100</b>	Rotary handle (Direct, Key lock)
<b>EH100</b>	Rotary handle (Extended)
<b>RTR1</b>	Rear terminal (Round)
<b>PB-A3</b>	Plug-in kit
<b>PHL100</b>	Pad handle lock

Note) For more detail see 80 page

# 50AF ELCB

## EBN50c, EBS50c, EBH50c

Metasol



EBN53c



EBS53c

### Ratings

Frame size		50AF													
<b>Type and Pole</b>		<b>N-Type</b>		<b>S-Type</b>		<b>H-Type</b>									
2-pole(2-sensor)		EBN52c		-		-									
3-pole(3-sensor)		EBN53c		EBS53c		EBH53c									
4-pole(3-sensor)		-		EBS54c		EBH54c									
Rated current, I <sub>n</sub>		15-20-30-40-50A													
Rated residual current, I <sub>Δn</sub>		30, 100/200/500mA (Adjustable)													
Residual current off-time at I <sub>Δn</sub>		≤0.1 sec													
Rated operational voltage, U <sub>e</sub>		AC: 220/460V													
Rated impulse withstand voltage, U <sub>imp</sub>		6kV													
Wiring system		2-pole(2-sensor)		1 Ø 2W											
		3-pole(3-sensor)		1 Ø 2W, 1 Ø 3W, 3 Ø 3W											
		4-pole(3-sensor)		1 Ø 2W, 1 Ø 3W, 3 Ø 3W, 3 Ø 4W											
<b>Rated short-circuit breaking capacity, I<sub>cu</sub></b>		<b>N-Type</b>		<b>S-Type</b>		<b>H-Type</b>									
AC 460V		14kA		18kA		50kA									
IEC 60947-2 (I <sub>cu</sub> )		415V		18kA		50kA									
I <sub>cs</sub> =100%I <sub>cu</sub>		220/250V		35kA		100kA									
<b>Protective function</b>		Overload, Short-circuit and Ground fault													
Type of trip unit		Thermal-Magnetic													
Magnetic trip range		12 × I <sub>n</sub> (30A and under: 400A)													
Endurance		Mechanical		25000 operations											
		Electrical		10000 operations											
Connection		Standard		Front connection											
		Optional		Rear connection											
				Plug-in											
Mounting		Standard		Screw fixing											
<b>Dimensions (mm)</b>		Pole		2p		3p		3p		4p		3p		4p	
		a		75		75		75		100		90		120	
		b		130		130		130		130		155		155	
		c1 <small>Note</small>		60		60		60		60		60		60	
		c2 <small>Note</small>		64		64		64		64		64		64	
		d		82		82		82		82		82		82	
Weight, kg		Standard		0.5		0.7		0.7		0.9		1		1.2	
<b>Certification</b>		Pole		2p		3p		3p		4p		3p		4p	
CE marking		CE		○		○		○		○		○		○	

Note) Depth by door cut size : C1 for large cut, C2 for small cut

#### For more information

- Drawings ▶ 100 page
- Trip curves ▶ 87, 88 page
- Accessories ▶ 72 page
- Connection and mounting ▶ 110 page

## Ordering types

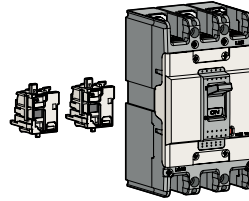
### Breaker types

EBN type (14kA/460V)				
Rated current, In	Rated residual current, I $\Delta$ n: 30mA		Rated residual current, I $\Delta$ n: 100/200/500mA	
	2-pole	3-pole	2-pole	3-pole
15 A	EBN52c/15/30	EBN53c/15/30	EBN52c/15/100	EBN53c/15/100
20 A	EBN52c/20/30	EBN53c/20/30	EBN52c/20/100	EBN53c/20/100
30 A	EBN52c/30/30	EBN53c/30/30	EBN52c/30/100	EBN53c/30/100
40 A	EBN52c/40/30	EBN53c/40/30	EBN52c/40/100	EBN53c/40/100
50 A	EBN52c/50/30	EBN53c/50/30	EBN52c/50/100	EBN53c/50/100

EBS type (18kA/460V)				
Rated current, In	Rated residual current, I $\Delta$ n: 30mA		Rated residual current, I $\Delta$ n: 100/200/500mA	
	3-pole	4-pole	3-pole	4-pole
15 A	EBS53c/15/30	EBS54c/15/30	EBS53c/15/100	EBS54c/15/100
20 A	EBS53c/20/30	EBS54c/20/30	EBS53c/20/100	EBS54c/20/100
30 A	EBS53c/30/30	EBS54c/30/30	EBS53c/30/100	EBS54c/30/100
40 A	EBS53c/40/30	EBS54c/40/30	EBS53c/40/100	EBS54c/40/100
50 A	EBS53c/50/30	EBS54c/50/30	EBS53c/50/100	EBS54c/50/100

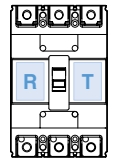
EBH type (37kA/460V)				
Rated current, In	Rated residual current, I $\Delta$ n: 30mA		Rated residual current, I $\Delta$ n: 100/200/500mA	
	3-pole	4-pole	3-pole	4-pole
15 A	EBH53c/15/30	EBH54c/15/30	EBH53c/15/100	EBH54c/15/100
20 A	EBH53c/20/30	EBH54c/20/30	EBH53c/20/100	EBH54c/20/100
30 A	EBH53c/30/30	EBH54c/30/30	EBH53c/30/100	EBH54c/30/100
40 A	EBH53c/40/30	EBH54c/40/30	EBH53c/40/100	EBH54c/40/100
50 A	EBH53c/50/30	EBH54c/50/30	EBH53c/50/100	EBH54c/50/100

### Accessories



#### Electrical auxiliaries

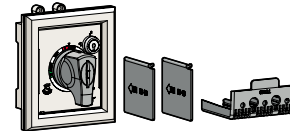
AX	Auxiliary Switch
AL	Alarm Switch
AX+AL	Combination switch



#### Maximum possibilities

T-position	Not available
R-position	Option of AX or AL or AX+AL

Note) For more detail see 72 page



#### External accessories

EBN50c EBS50c	EBH50c	Name
IB13	IB23	Insulation barrier
TCL13	TCL23	Terminal cover (Long)
TCS13	TCS23	Terminal cover (Short)
DH100	DH125	Rotary handle (Direct)
DHK100	DHK125	Rotary handle (Direct, Key lock)
EH100	EH125	Rotary handle (Extended)
-	RTB2	Rear terminal (Bar)
RTR1	RTR2	Rear terminal (Round)
PB-A3	PB-C3	Plug-in kit
PHL100	PHL125	Pad handle lock

Note) For more detail see 80 page

# 60AF ELCB

## EBN60c, EBS60c

Metasol



EBN63c



EBS63c

### Ratings

Frame size		60AF			
Type and Pole		N-Type	S-Type		
2-pole(2-sensor)		-	-		
3-pole(3-sensor)		<b>EBN63c</b>	<b>EBS63c</b>		
4-pole(3-sensor)		-	<b>EBS64c</b>		
Rated current, I <sub>n</sub>		60A			
Rated residual current, I <sub>Δn</sub>		30, 100/200/500mA (Adjustable)			
Residual current off-time at I <sub>Δn</sub>		≤0.1 sec			
Rated operational voltage, U <sub>e</sub>		AC: 220/460V			
Rated impulse withstand voltage, U <sub>imp</sub>		6kV			
Wiring system	2-pole(2-sensor)	-			
	3-pole(3-sensor)	1 ∅ 2W, 1 ∅ 3W, 3 ∅ 3W			
	4-pole(3-sensor)	1 ∅ 2W, 1 ∅ 3W, 3 ∅ 3W, 3 ∅ 4W			
Rated short-circuit breaking capacity, I <sub>cu</sub>		N-Type	S-Type		
AC 460V		<b>14kA</b>	<b>18kA</b>		
IEC 60947-2 (I <sub>cu</sub> )		14kA	18kA		
I <sub>cs</sub> =100%I <sub>cu</sub>		<b>30kA</b>	<b>35kA</b>		
Protective function		Overload, Short-circuit and Ground fault			
Type of trip unit		Thermal-Magnetic			
Magnetic trip range		12 × I <sub>n</sub>			
Endurance	Mechanical	25000 operations			
	Electrical	10000 operations			
Connection	Standard	Front connection			
	Optional	Rear connection			
Mounting		Plug-in			
	Standard	Screw fixing			
Dimensions (mm)		Pole	3p	3p	4p
		a	75	75	100
		b	130	130	130
		c1 <small>Note)</small>	60	60	60
		c2 <small>Note)</small>	64	64	64
		d	82	82	82
		Weight, kg	Standard	0.7	0.7
Certification		Pole	3p	3p	4p
CE marking		Ⓢ	○	○	○

Note) Depth by door cut size : C1 for large cut, C2 for small cut

#### For more information

- Drawings ▶ 100 page
- Trip curves ▶ 87 page
- Accessories ▶ 72 page
- Connection and mounting ▶ 110 page

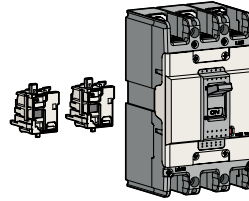
## Ordering types

### Breaker types

EBN type (14kA/460V)			
Rated current, In	Rated residual current, I $\Delta$ n: 30mA		Rated residual current, I $\Delta$ n: 100/200/500mA
	3-pole		3-pole
60 A	EBN63c/60/30		EBN63c/60/100

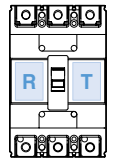
EBS type (18kA/460V)				
Rated current, In	Rated residual current, I $\Delta$ n: 30mA		Rated residual current, I $\Delta$ n: 100/200/500mA	
	3-pole	4-pole	3-pole	4-pole
60 A	EBS63c/60/30	EBS64c/60/30	EBS63c/60/100	EBS64c/60/100

### Accessories



#### Electrical auxiliaries

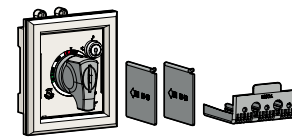
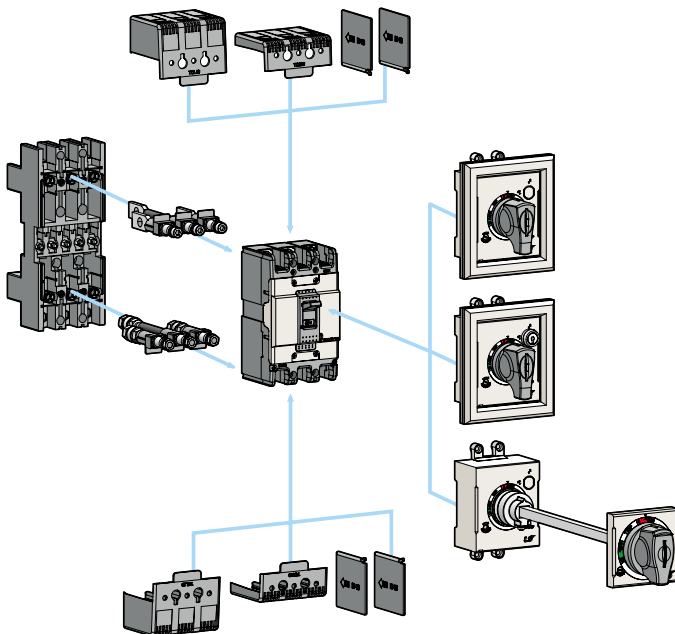
<b>AX</b>	Auxiliary Switch
<b>AL</b>	Alarm Switch
<b>AX+AL</b>	Combination switch



#### Maximum possibilities

<b>T-position</b>	Not available
<b>R-position</b>	Option of AX or AL or AX+AL

Note) For more detail see 72 page



#### External accessories

EBS60c EBN60c	Name
<b>IB13</b>	Insulation barrier
<b>TCL13</b>	Terminal cover (Long)
<b>TCS13</b>	Terminal cover (Short)
<b>DH100</b>	Rotary handle (Direct)
<b>DHK100</b>	Rotary handle (Direct, Key lock)
<b>EH100</b>	Rotary handle (Extended)
<b>RTB1</b>	Rear terminal (Bar)
<b>RTR1</b>	Rear terminal (Round)
<b>PB-A3</b>	Plug-in kit
<b>PHL100</b>	Pad handle lock

Note) For more detail see 80 page

# 100AF ELCB

## EBN100c

Metasol



EBN103c

### Ratings

Frame size		<b>100AF</b>			
<b>Type and Pole</b>		<b>N-Type</b>			
	2-pole(2-sensor)				<b>EBN102c</b>
	3-pole(3-sensor)				<b>EBN103c</b>
	4-pole(3-sensor)				<b>EBN104c</b>
Rated current, I <sub>n</sub>		60-75-100A			
Rated residual current, I <sub>Δn</sub>		30, 100/200/500mA (Adjustable)			
Residual current off-time at I <sub>Δn</sub>		≤ 0.1 sec			
Rated operational voltage, U <sub>e</sub>		AC: 220/460V			
Rated impulse withstand voltage, U <sub>imp</sub>		6kV			
Wiring system	2-pole(2-sensor)				1 ∅ 2W
	3-pole(3-sensor)				1 ∅ 2W, 1 ∅ 3W, 3 ∅ 3W
	4-pole(3-sensor)				1 ∅ 2W, 1 ∅ 3W, 3 ∅ 3W, 3 ∅ 4W
<b>Rated short-circuit breaking capacity, I<sub>cu</sub></b>		<b>N-Type</b>			
	AC <b>460V</b>				<b>18kA</b>
	IEC 60947-2 (I <sub>cu</sub> )	415V			18kA
	I <sub>cs</sub> =100%I <sub>cu</sub>	<b>220/250V</b>			<b>35kA</b>
<b>Protective function</b>		Overload, Short-circuit and Ground fault			
Type of trip unit		Thermal-Magnetic			
Magnetic trip range		12 × I <sub>n</sub>			
Endurance	Mechanical				25000 operations
	Electrical				10000 operations
Connection	Standard				Front connection
	Optional				Rear connection
					Plug-in
Mounting	Standard				Screw fixing
<b>Dimensions (mm)</b>		Pole	2p	3p	4p
	a		75	75	100
	b		130	130	130
	c1 <i>Note</i>		60	60	60
	c2 <i>Note</i>		64	64	64
	d		82	82	82
	Weight, kg	Standard	0.5	0.7	0.9
<b>Certification</b>		Pole	2p	3p	4p
CE marking		CE	○	○	○

*Note*) Depth by door cut size : c1 for large cut, c2 for small cut

#### For more information

- Drawings ▶ 100 page
- Trip curves ▶ 87 page
- Accessories ▶ 72 page
- Connection and mounting ▶ 110 page

## Ordering types

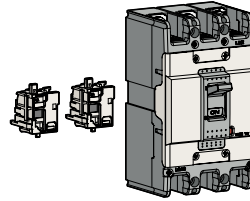
### Breaker types

EBN type (18kA/460V)			
Rated current, I <sub>n</sub>	Rated residual current, I <sub>Δn</sub> : 30mA		
	2-pole	3-pole	4-pole
60 A	EBN102c/60/30	EBN103c/60/30	EBN104c/60/30
75 A	EBN102c/75/30	EBN103c/75/30	EBN104c/75/30
100 A	EBN102c/100/30	EBN103c/100/30	EBN104c/100/30

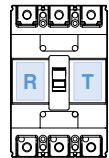
Rated current, I <sub>n</sub>	Rated residual current, I <sub>Δn</sub> : 100/200/500mA		
	2-pole	3-pole	4-pole
60 A	EBN102c/60/100	EBN103c/60/100	EBN104c/60/100
75 A	EBN102c/75/100	EBN103c/75/100	EBN104c/75/100
100 A	EBN102c/100/100	EBN103c/100/100	EBN104c/100/100

### Accessories



#### Electrical auxiliaries

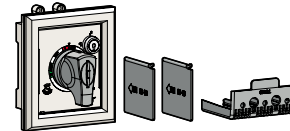
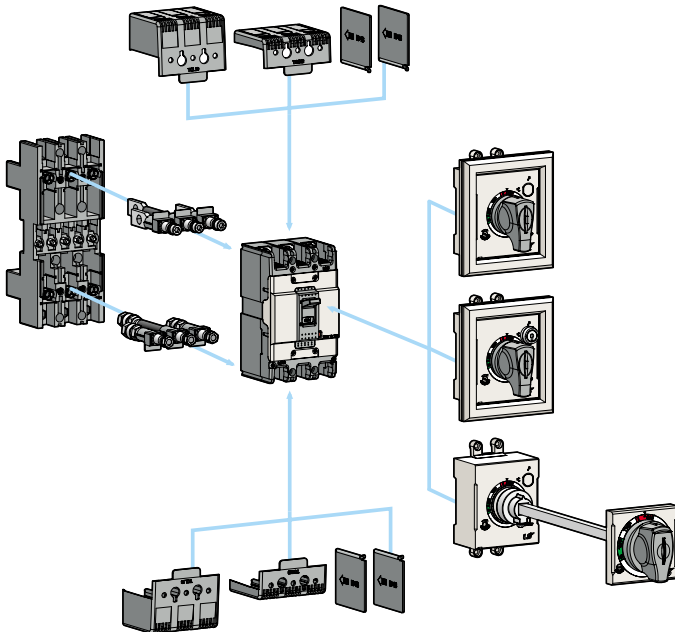
<b>AX</b>	Auxiliary Switch
<b>AL</b>	Alarm Switch
<b>AX+AL</b>	Combination switch



#### Maximum possibilities

<b>T-position</b>	Not available
<b>R-position</b>	Option of AX or AL or AX+AL

Note) For more detail see 72 page



#### External accessories

EBN100c	Name
<b>IB13</b>	Insulation barrier
<b>TCL13</b>	Terminal cover (Long)
<b>TCS13</b>	Terminal cover (Short)
<b>DH100</b>	Rotary handle (Direct)
<b>DHK100</b>	Rotary handle (Direct, Key lock)
<b>EH100</b>	Rotary handle (Extended)
<b>RTB1</b>	Rear terminal (Bar)
<b>RTR1</b>	Rear terminal (Round)
<b>PB-A3</b>	Plug-in kit
<b>PHL100</b>	Pad handle lock

Note) For more detail see 80 page

# 125AF ELCB

## EBS125c, EBH125c

Metasol



EBS103c



EBH103c

### Ratings

Frame size		125AF				
<b>Type and Pole</b>		<b>S-Type</b>		<b>H-Type</b>		
	2-pole(2-sensor)	-		-		
	3-pole(3-sensor)	<b>EBS103c</b>		<b>EBH103c</b>		
	4-pole(3-sensor)	<b>EBS104c</b>		<b>EBH104c</b>		
Rated current, I <sub>n</sub>		15-20-30-40-50-60-75-100-125A				
Rated residual current, I <sub>Δn</sub>		30, 100/200/500mA (Adjustable)				
Residual current off-time at I <sub>Δn</sub>		≤ 0.1 sec				
Rated operational voltage, U <sub>e</sub>		AC: 220/460V				
Rated impulse withstand voltage, U <sub>imp</sub>		6kV				
Wiring system	2-pole(2-sensor)	-				
	3-pole(3-sensor)	1 ∅ 2W, 1 ∅ 3W, 3 ∅ 3W				
	4-pole(3-sensor)	1 ∅ 2W, 1 ∅ 3W, 3 ∅ 3W, 3 ∅ 4W				
<b>Rated short-circuit breaking capacity, I<sub>cu</sub></b>		<b>S-Type</b>		<b>H-Type</b>		
	AC <b>460V</b>	<b>37kA</b>		<b>50kA</b>		
	IEC 60947-2 (I <sub>cu</sub> )	415V		50kA		
	I <sub>cs</sub> =100%I <sub>cu</sub>	<b>220/250V</b>		<b>100kA</b>		
<b>Protective function</b>		Overload, Short-circuit and Ground fault				
Type of trip unit		Thermal-Magnetic				
Magnetic trip range		12 × I <sub>n</sub> (30A and under: 400A)				
Endurance	Mechanical	25000 operations				
	Electrical	10000 operations				
Connection	Standard	Front connection				
	Optional	Rear connection				
		Plug-in				
Mounting	Standard	Screw fixing				
<b>Dimensions (mm)</b>		Pole	3p	4p	3p	4p
		a	90	120	90	120
		b	155	155	155	155
		c1 <small>Note)</small>	60	60	60	60
		c2 <small>Note)</small>	64	64	64	64
		d	82	82	82	82
		Weight, kg	Standard	1	1.2	1
<b>Certification</b>		Pole	3p	4p	3p	4p
CE marking		CE	○	○	○	○

Note) Depth by door cut size : c1 for large cut, c2 for small cut

#### For more information

- Drawings ▶ 101 page
- Trip curves ▶ 88 page
- Accessories ▶ 72 page
- Connection and mounting ▶ 110 page

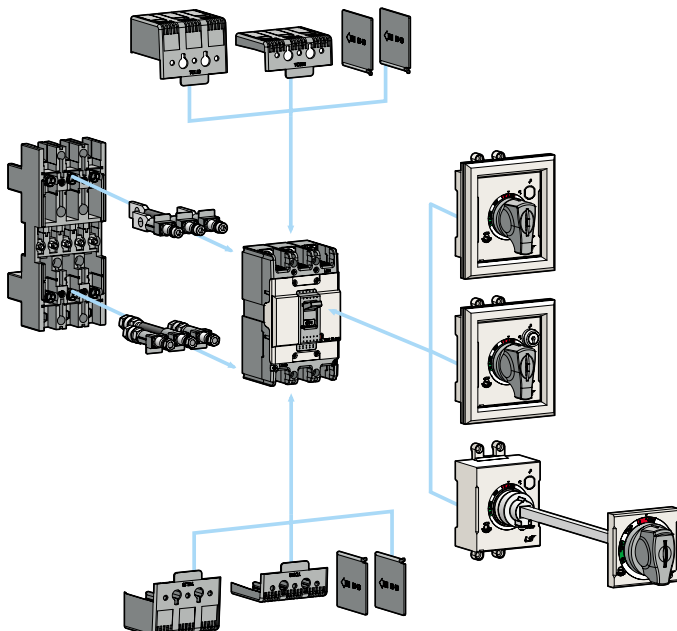


## Ordering types

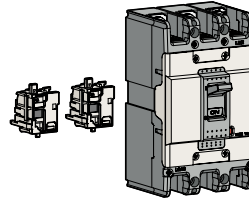
### Breaker types

EBS type (37kA/460V)				
Rated current, I <sub>n</sub>	Rated residual current, I <sub>Δn</sub> : 30mA		Rated residual current, I <sub>Δn</sub> : 100/200/500mA	
	3-pole	4-pole	3-pole	4-pole
15 A	EBS103c/15/30	EBS104c/15/30	EBS103c/15/100	EBS104c/15/100
20 A	EBS103c/20/30	EBS104c/20/30	EBS103c/20/100	EBS104c/20/100
30 A	EBS103c/30/30	EBS104c/30/30	EBS103c/30/100	EBS104c/30/100
40 A	EBS103c/40/30	EBS104c/40/30	EBS103c/40/100	EBS104c/40/100
50 A	EBS103c/50/30	EBS104c/50/30	EBS103c/50/100	EBS104c/50/100
60 A	EBS103c/60/30	EBS104c/60/30	EBS103c/60/100	EBS104c/60/100
75 A	EBS103c/75/30	EBS104c/75/30	EBS103c/75/100	EBS104c/75/100
100 A	EBS103c/100/30	EBS104c/100/30	EBS103c/100/100	EBS104c/100/100
125 A	EBS103c/125/30	EBS104c/125/30	EBS103c/125/100	EBS104c/125/100

EBH type (50kA/460V)				
Rated current, I <sub>n</sub>	Rated residual current, I <sub>Δn</sub> : 30mA		Rated residual current, I <sub>Δn</sub> : 100/200/500mA	
	3-pole	4-pole	3-pole	4-pole
15 A	EBH103c/15/30	EBH104c/15/30	EBH103c/15/100	EBH104c/15/100
20 A	EBH103c/20/30	EBH104c/20/30	EBH103c/20/100	EBH104c/20/100
30 A	EBH103c/30/30	EBH104c/30/30	EBH103c/30/100	EBH104c/30/100
40 A	EBH103c/40/30	EBH104c/40/30	EBH103c/40/100	EBH104c/40/100
50 A	EBH103c/50/30	EBH104c/50/30	EBH103c/50/100	EBH104c/50/100
60 A	EBH103c/60/30	EBH104c/60/30	EBH103c/60/100	EBH104c/60/100
75 A	EBH103c/75/30	EBH104c/75/30	EBH103c/75/100	EBH104c/75/100
100 A	EBH103c/100/30	EBH104c/100/30	EBH103c/100/100	EBH104c/100/100
125 A	EBH103c/125/30	EBH104c/125/30	EBH103c/125/100	EBH104c/125/100

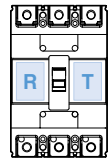


### Accessories



#### Electrical auxiliaries

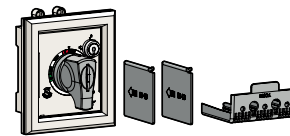
<b>AX</b>	Auxiliary Switch
<b>AL</b>	Alarm Switch
<b>AX+AL</b>	Combination switch



#### Maximum possibilities

<b>T-position</b>	Not available
<b>R-position</b>	Option of AX or AL or AX+AL

Note) For more detail see 72 page



#### External accessories

EBS125c EBH125c	Name
<b>IB23</b>	Insulation barrier
<b>TCL23</b>	Terminal cover (Long)
<b>TCS23</b>	Terminal cover (Short)
<b>DH125</b>	Rotary handle (Direct)
<b>DHK125</b>	Rotary handle (Direct, Key lock)
<b>EH125</b>	Rotary handle (Extended)
<b>RTB2</b>	Rear terminal (Bar)
<b>RTR2</b>	Rear terminal (Round)
<b>PB-C3</b>	Plug-in kit
<b>PHL125</b>	Pad handle lock

Note) For more detail see 80 page

# 250AF ELCB

## EBN250c, EBS250c, EBH250c

Metasol



EBN203c



EBS203c

### Ratings

Frame size		250AF													
<b>Type and Pole</b>		<b>N-Type</b>		<b>S-Type</b>		<b>H-Type</b>									
2-pole(2-sensor)		EBN202c		-		-									
3-pole(3-sensor)		EBN203c		EBS203c		EBH203c									
4-pole(3-sensor)		-		EBS204c		EBH204c									
Rated current, I <sub>n</sub>		100-125-150-175-200-225-250A													
Rated residual current, I <sub>Δn</sub>		30, 100/200/500mA (Adjustable)													
Residual current off-time at I <sub>Δn</sub>		≤0.1 sec													
Rated operational voltage, U <sub>e</sub>		AC: 220/460V													
Rated impulse withstand voltage, U <sub>imp</sub>		6kV													
Wiring system		2-pole(2-sensor)		1 Ø 2W											
		3-pole(3-sensor)		1 Ø 2W, 1 Ø 3W, 3 Ø 3W											
		4-pole(3-sensor)		1 Ø 2W, 1 Ø 3W, 3 Ø 3W, 3 Ø 4W											
<b>Rated short-circuit breaking capacity, I<sub>cu</sub></b>		<b>N-Type</b>		<b>S-Type</b>		<b>H-Type</b>									
AC 460V		26kA		37kA		50kA									
IEC 60947-2 (I <sub>cu</sub> )		415V		37kA		50kA									
I <sub>cs</sub> =100%I <sub>cu</sub>		220/250V		85kA		100kA									
<b>Protective function</b>		Overload, Short-circuit and Ground fault													
Type of trip unit		Thermal-Magnetic													
Magnetic trip range		12 × I <sub>n</sub>													
Endurance		Mechanical		20000 operations											
		Electrical		5000 operations											
Connection		Standard		Front connection											
		Optional		Rear connection											
Mounting		Standard		Plug-in											
				Screw fixing											
<b>Dimensions (mm)</b>		Pole		2p		3p		3p		4p		3p		4p	
		a		105		105		105		140		105		140	
		b		165		165		165		165		165		165	
		c1 <small>Note</small>		60		60		60		60		60		60	
		c2 <small>Note</small>		64		64		64		64		64		64	
		d		87		87		87		87		87		87	
Weight, kg		Standard		1.1		1.2		1.2		1.5		1.2		1.5	
<b>Certification</b>		Pole		2p		3p		3p		4p		3p		4p	
CE marking		CE		○		○		○		○		○		○	

Note) Depth by door cut size : c1 for large cut, c2 for small cut

#### For more information

- Drawings ▶ 102 page
- Trip curves ▶ 89 page
- Accessories ▶ 72 page
- Connection and mounting ▶ 110 page

## Ordering types

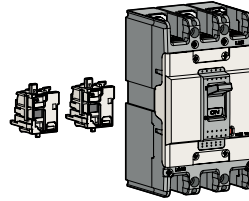
### Breaker types

EBN type (25kA/460V)				
Rated current, In	Rated residual current, I $\Delta$ n: 30mA		Rated residual current, I $\Delta$ n: 100/200/500mA	
	2-pole	3-pole	2-pole	3-pole
100 A	EBN202c/100/30	EBN203c/100/30	EBN202c/100/100	EBN203c/100/100
125 A	EBN202c/125/30	EBN203c/125/30	EBN202c/125/100	EBN203c/125/100
150 A	EBN202c/150/30	EBN203c/150/30	EBN202c/150/100	EBN203c/150/100
175 A	EBN202c/175/30	EBN203c/175/30	EBN202c/175/100	EBN203c/175/100
200 A	EBN202c/200/30	EBN203c/200/30	EBN202c/200/100	EBN203c/200/100
225 A	EBN202c/225/30	EBN203c/225/30	EBN202c/225/100	EBN203c/225/100
250 A	EBN202c/250/30	EBN203c/250/30	EBN202c/250/100	EBN203c/250/100

EBS type (37kA/460V)				
Rated current, In	Rated residual current, I $\Delta$ n: 30mA		Rated residual current, I $\Delta$ n: 100/200/500mA	
	3-pole	4-pole	3-pole	4-pole
100 A	EBS203c/100/30	EBS204c/100/30	EBS203c/100/100	EBS204c/100/100
125 A	EBS203c/125/30	EBS204c/125/30	EBS203c/125/100	EBS204c/125/100
150 A	EBS203c/150/30	EBS204c/150/30	EBS203c/150/100	EBS204c/150/100
175 A	EBS203c/175/30	EBS204c/175/30	EBS203c/175/100	EBS204c/175/100
200 A	EBS203c/200/30	EBS204c/200/30	EBS203c/200/100	EBS204c/200/100
225 A	EBS203c/225/30	EBS204c/225/30	EBS203c/225/100	EBS204c/225/100
250 A	EBS203c/250/30	EBS204c/250/30	EBS203c/250/100	EBS204c/250/100

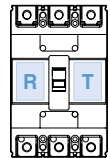
EBH type (50kA/460V)				
Rated current, In	Rated residual current, I $\Delta$ n: 30mA		Rated residual current, I $\Delta$ n: 100/200/500mA	
	3-pole	4-pole	3-pole	4-pole
100 A	EBH203c/100/30	EBH204c/100/30	EBH203c/100/100	EBH204c/100/100
125 A	EBH203c/125/30	EBH204c/125/30	EBH203c/125/100	EBH204c/125/100
150 A	EBH203c/150/30	EBH204c/150/30	EBH203c/150/100	EBH204c/150/100
175 A	EBH203c/175/30	EBH204c/175/30	EBH203c/175/100	EBH204c/175/100
200 A	EBH203c/200/30	EBH204c/200/30	EBH203c/200/100	EBH204c/200/100
225 A	EBH203c/225/30	EBH204c/225/30	EBH203c/225/100	EBH204c/225/100
250 A	EBH203c/250/30	EBH204c/250/30	EBH203c/250/100	EBH204c/250/100

### Accessories



#### Electrical auxiliaries

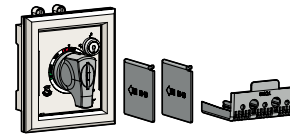
<b>AX</b>	Auxiliary Switch
<b>AL</b>	Alarm Switch
<b>AX+AL</b>	Combination switch



#### Maximum possibilities

<b>T-position</b>	Not available
<b>R-position</b>	Option of AX or AL or AX+AL

Note) For more detail see 72 page



#### External accessories

EBN250c EBS250c EBH250c	Name
<b>IB23</b>	Insulation barrier
<b>TCL33</b>	Terminal cover (Long)
<b>TCS33</b>	Terminal cover (Short)
<b>DH250</b>	Rotary handle (Direct)
<b>DHK250</b>	Rotary handle (Direct, Key lock)
<b>EH250</b>	Rotary handle (Extended)
<b>RTB3</b>	Rear terminal (Bar)
<b>RTR3</b>	Rear terminal (Round)
<b>PB-D3</b>	Plug-in kit
<b>PHL250</b>	Pad handle lock

Note) For more detail see 80 page

# 400AF ELCB

## EBN400c, EBS400c, EBH400c, EBL400c

Metasol



EBS403c



EBL404c

### Ratings

Frame size		400AF							
Type and Pole		<b>N-Type</b>		<b>S-Type</b>		<b>H-Type</b>		<b>L-Type</b>	
	3-pole(3-sensor)	<b>EBN403c</b>		<b>EBS403c</b>		<b>EBH403c</b>		<b>EBL403c</b>	
	4-pole(3-sensor)	<b>EBN404c</b>		<b>EBS404c</b>		<b>EBH404c</b>		<b>EBL404c</b>	
Rated current, I <sub>n</sub>	250-300-350-400A								
Rated residual current, I <sub>Δn</sub>	30, 100/200/500mA (Adjustable)								
Residual current off-time at I <sub>Δn</sub>	≤0.1 sec								
Rated operational voltage, U <sub>e</sub>	220/460V								
Rated impulse withstand voltage, U <sub>imp</sub>	6kV								
Wiring system	3-pole(3-sensor)	1 ∅ 2W, 1 ∅ 3W, 3 ∅ 3W							
	4-pole(3-sensor)	1 ∅ 2W, 1 ∅ 3W, 3 ∅ 3W, 3 ∅ 4W							
Rated short-circuit breaking capacity, I <sub>cu</sub>		<b>N-Type</b>		<b>S-Type</b>		<b>H-Type</b>		<b>L-Type</b>	
	AC 415/460V	<b>37kA</b>		<b>50kA</b>		<b>65kA</b>		<b>85kA</b>	
	IEC 60947-2 (Icu)	<b>220/250V</b>		<b>50kA</b>		<b>75kA</b>		<b>85kA</b>	
I <sub>cs</sub> =%I <sub>cu</sub>	100%		100%		100%		75%		
<b>Protective function</b>		Overload, Short-circuit and Ground fault							
Type of trip unit	Thermal-Magnetic								
Magnetic trip range	8~12I <sub>n</sub>								
Endurance	Mechanical	4000 operations							
	Electrical	1000 operations							
Connection	Standard	Front connection							
	Optional	Rear connection							
		Plug-in							
Mounting	Standard	Screw fixing							
Dimensions (mm)	Pole	3p	4p	3p	4p	3p	4p	3p	4p
	a	140	184	140	184	140	184	140	184
	b	257		257		257		257	
	c1 <small>Note)</small>	109		109		109		109	
	c2 <small>Note)</small>	113		113		113		113	
	d	145		145		145		145	
	Weight, kg	Standard	7	8.4	7	8.4	7	8.4	7
Certification	Pole	3p	4p	3p	4p	3p	4p	3p	4p
	CE marking	☐		-		-		-	

Note) Depth by door cut size : c1 for large cut, c2 for small cut

#### For more information

- Drawings ▶ 103 page
- Trip curves ▶ 90 page
- Accessories ▶ 72 page
- Connection and mounting ▶ 110 page

## Ordering types

### Breaker types

EBN type (25kA/460V)				
Rated current, In	Rated residual current, I $\Delta$ n: 30mA		Rated residual current, I $\Delta$ n: 100/200/500mA	
	3-pole	4-pole	3-pole	4-pole
250 A	EBN403c/250/30	EBN404c/250/30	EBN403c/250/100	EBN404c/250/100
300 A	EBN403c/300/30	EBN404c/300/30	EBN403c/300/100	EBN404c/300/100
350 A	EBN403c/350/30	EBN404c/350/30	EBN403c/350/100	EBN404c/350/100
400 A	EBN403c/400/30	EBN404c/400/30	EBN403c/400/100	EBN404c/400/100

EBS type (50kA/460V)				
Rated current, In	Rated residual current, I $\Delta$ n: 30mA		Rated residual current, I $\Delta$ n: 100/200/500mA	
	3-pole	4-pole	3-pole	4-pole
250 A	EBS403c/250/30	EBS404c/250/30	EBS403c/250/100	EBS404c/250/100
300 A	EBS403c/300/30	EBS404c/300/30	EBS403c/300/100	EBS404c/300/100
350 A	EBS403c/350/30	EBS404c/350/30	EBS403c/350/100	EBS404c/350/100
400 A	EBS403c/400/30	EBS404c/400/30	EBS403c/400/100	EBS404c/400/100

EBH type(65kA/460V)				
Rated current, In	Rated residual current, I $\Delta$ n: 30mA		Rated residual current, I $\Delta$ n: 100/200/500mA	
	3-pole	4-pole	3-pole	4-pole
250 A	EBH403c/250/30	EBH404c/250/30	EBH403c/250/100	EBH404c/250/100
300 A	EBH403c/300/30	EBH404c/300/30	EBH403c/300/100	EBH404c/300/100
350 A	EBH403c/350/30	EBH404c/350/30	EBH403c/350/100	EBH404c/350/100
400 A	EBH403c/400/30	EBH404c/400/30	EBH403c/400/100	EBH404c/400/100

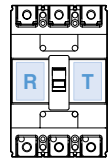
EBL type(85kA/460V)				
Rated current, In	Rated residual current, I $\Delta$ n: 30mA		Rated residual current, I $\Delta$ n: 100/200/500mA	
	3-pole	4-pole	3-pole	4-pole
250 A	EBL403c/250/30	EBL404c/250/30	EBL403c/250/100	EBL404c/250/100
300 A	EBL403c/300/30	EBL404c/300/30	EBL403c/300/100	EBL404c/300/100
350 A	EBL403c/350/30	EBL404c/350/30	EBL403c/350/100	EBL404c/350/100
400 A	EBL403c/400/30	EBL404c/400/30	EBL403c/400/100	EBL404c/400/100

### Accessories



#### Electrical auxiliaries

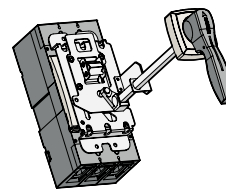
AX	Auxiliary Switch
AL	Alarm Switch
SHT	Shunt Trip
UVT	Undervoltage trip



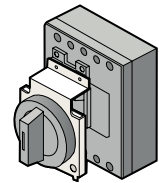
#### Maximum possibilities

T-position	Not available
R-position	Option of 2AX, 2AL and SHT or UVT

Note) For more detail see 73 page



E-70U



N-70

#### External accessories

IBL400	Insulation barrier
T1-43A	Terminal cover (Long) - 2, 3pole
T1-44A	Terminal cover (Long) - 4pole
N-70	Rotary handle (Direct)
E-70U	Rotary handle (Extended)
MI-43	Mechanical interlock - 2, 3pole
MI-44	Mechanical interlock - 4pole
X-402	Rear terminal - 2pole
X-403	Rear terminal - 3pole
X-404	Rear terminal - 4pole
PB-I3-FR	Plug-in kit

Note) For more detail see 80 page

# 800AF ELCB

## EBN803c, EBS803c, EBL803c

Metasol



EBS803c

### Ratings

Frame size		800AF		
Type and Pole	3-pole(3-sensor)	<b>N-Type</b>	<b>S-Type</b>	<b>L-Type</b>
	4-pole(3-sensor)	<b>EBS803c</b>	<b>EBS803c</b>	<b>EBL803c</b>
		-	-	-
Rated current, I <sub>n</sub>		500-630-700-800A		
Rated residual current, I <sub>Δn</sub>		30, 100/200/500mA (Adjustable)		
Residual current off-time at I <sub>Δn</sub>		≤0.1 sec		
Rated operational voltage, U <sub>e</sub>		220/460V		
Rated impulse withstand voltage, U <sub>imp</sub>		6 kV		
Wiring system	3-pole(3-sensor)	1 ∅ 2W, 1 ∅ 3W, 3 ∅ 3W		
	4-pole(3-sensor)	-		
<b>Rated short-circuit breaking capacity, I<sub>cu</sub></b>		<b>N-Type</b>	<b>S-Type</b>	<b>L-Type</b>
AC	<b>415/460V</b>	<b>37kA</b>	<b>65kA</b>	<b>85kA</b>
IEC 60947-2 (I <sub>cu</sub> )	<b>220/250V</b>	<b>50kA</b>	<b>85kA</b>	<b>125kA</b>
I <sub>cs</sub> =%I <sub>cu</sub>		100%	100%	75%
<b>Protective function</b>		Overload, Short-circuit and Ground fault		
Type of trip unit		Thermal-Magnetic		
Magnetic trip range		8~12I <sub>n</sub>		
Endurance	Mechanical	2500 operations		
	Electrical	500 operations		
Connection	Standard	Front connection		
	Optional	Rear connection		
		Plug-in		
Mounting	Standard	Screw fixing		
<b>Dimensions (mm)</b>		Pole	3p	
	a		210	
	b		280	
	c1 <small>Note)</small>		109	
	c2 <small>Note)</small>		113	
	d		145	
	Weight, kg	Standard	11.5	
<b>Certification</b>		Pole	3p	
CE marking	CE	-		

Note) Depth by door cut size : c1 for large cut, c2 for small cut

#### For more information

- Drawings ▶ 104 page
- Trip curves ▶ 90 page
- Accessories ▶ 72 page
- Connection and mounting ▶ 110 page

## Ordering types

### Breaker types

EBN type (37kA/460V)		
Rated current, In	Rated residual current, I $\Delta$ n: 30mA	Rated residual current, I $\Delta$ n: 100/200/500mA
	3p	3p
500 A	EBN803c/500/30	EBN803c/500/100
630 A	EBN803c/630/30	EBN803c/630/100
700 A	EBN803c/700/30	EBN803c/700/100
800 A	EBN803c/800/30	EBN803c/800/100

EBS type (65kA/460V)		
Rated current, In	Rated residual current, I $\Delta$ n: 30mA	Rated residual current, I $\Delta$ n: 100/200/500mA
	3p	3p
500 A	EBS803c/500/30	EBS803c/500/100
630 A	EBS803c/630/30	EBS803c/630/100
700 A	EBS803c/700/30	EBS803c/700/100
800 A	EBS803c/800/30	EBS803c/800/100

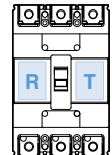
EBL type(85kA/460V)		
Rated current, In	Rated residual current, I $\Delta$ n: 30mA	Rated residual current, I $\Delta$ n: 100/200/500mA
	3p	3p
500 A	EBL803c/500/30	EBL803c/500/100
630 A	EBL803c/630/30	EBL803c/630/100
700 A	EBL803c/700/30	EBL803c/700/100
800 A	EBL803c/800/30	EBL803c/800/100

### Accessories



#### Electrical auxiliaries

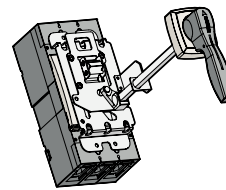
AX	Auxiliary Switch
AL	Alarm Switch
SHT	Shunt Trip
UVT	Undervoltage trip



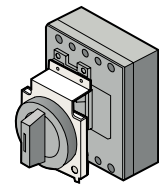
#### Maximum possibilities

T-position	Not available
R-position	Option of 2AX, 2AL and SHT or UVT

Note) For more detail see 73 page



E-80U



N-80

#### External accessories

IBL800	Insulation barrier
T1-63A	Terminal cover (Long) - 2, 3pole
T1-64A	Terminal cover (Long) - 4pole
N-80	Rotary handle (Direct)
E-80U	Rotary handle (Extended)
MI-83S	Mechanical interlock - 2, 3pole
MI-84S	Mechanical interlock - 4pole
X-802	Rear terminal - 2pole
X-803	Rear terminal - 3pole
X-804	Rear terminal - 4pole
PB-J3-FR	Plug-in kit

Note) For more detail see 80 page

# 1000/1200AF ELCB

## EBS1003b, EBS1203b

Metasol



### Ratings

Frame size	1000AF	1200AF	
Type and Pole	<b>S-Type</b>		
	3-pole(3-sensor)	<b>EBS1003b</b>	<b>EBS1203b</b>
	4-pole(4-sensor)	-	-
Rated current, I <sub>n</sub>	1000A	1200A	
Rated residual current, I <sub>Δn</sub>	100/200/500mA (Adjustable)		
Residual current off-time at I <sub>Δn</sub>	≤0.1 sec		
Rated operational voltage, U <sub>e</sub>	AC: 460V		
Wiring system	3-pole(3-sensor) 1Ø2W, 1Ø3W, 3Ø3W		
<b>Rated short-circuit breaking</b>			
		<b>S-Type</b>	<b>S-Type</b>
capacity, I <sub>cu</sub>	AC <b>415/460V</b>	<b>85kA</b>	
IEC 60947-2 (I <sub>cu</sub> )	<b>220/250V</b>	<b>125kA</b>	
<b>Protective function</b>			
Overload, Short-circuit and Ground fault			
Type of trip unit	Thermal-Magnetic		
Magnetic trip range	3-6 × I <sub>n</sub>		
Endurance	Mechanical	2500operations	
	Electrical	500operations	
Connection	Standard	Front connection	
Mounting	Standard	Screw fixing	
<b>Dimensions (mm)</b>			
	Pole	3p	
	a	220	
	b	565	
	c	105	
	d	159	
Weight, kg	Standard	27.1	

#### For more information

- Drawings ▶ 105 page
- Trip curves ▶ 91 page



## Ordering types

### Breaker types

EBS type (85kA/460V )	
<b>Rated current, In</b>	<b>3p</b>
1000 A	EBS1003b/1000/100
1200 A	EBS1203b/1200/100

### Contact operation for Auxiliary and Alarm Switches

MCCB	ON	OFF	TRIP
<b>AX</b>			
<b>AL</b>			

### Option of below items for T-position

<b>AX1</b>	Auxiliary Switch (1c)
<b>AL1</b>	Alarm Switch (1c)
<b>AX1+AL1</b>	Auxiliary (1c) + Alarm (1c) Switch



Note) R-position is not available.

### Contact rating for Auxiliary and Alarm Switches

Voltage (V)	AC		Voltage (V)	DC	
	Current (A)			Current (A)	
	Resistive load	Inductive load		Resistive load	Inductive load
125	20	20	30	6	5
250	20	20	125	0.4	0.05
500	10	5	250	0.2	0.03

# Accessories

## Electrical auxiliaries of 30~250AF

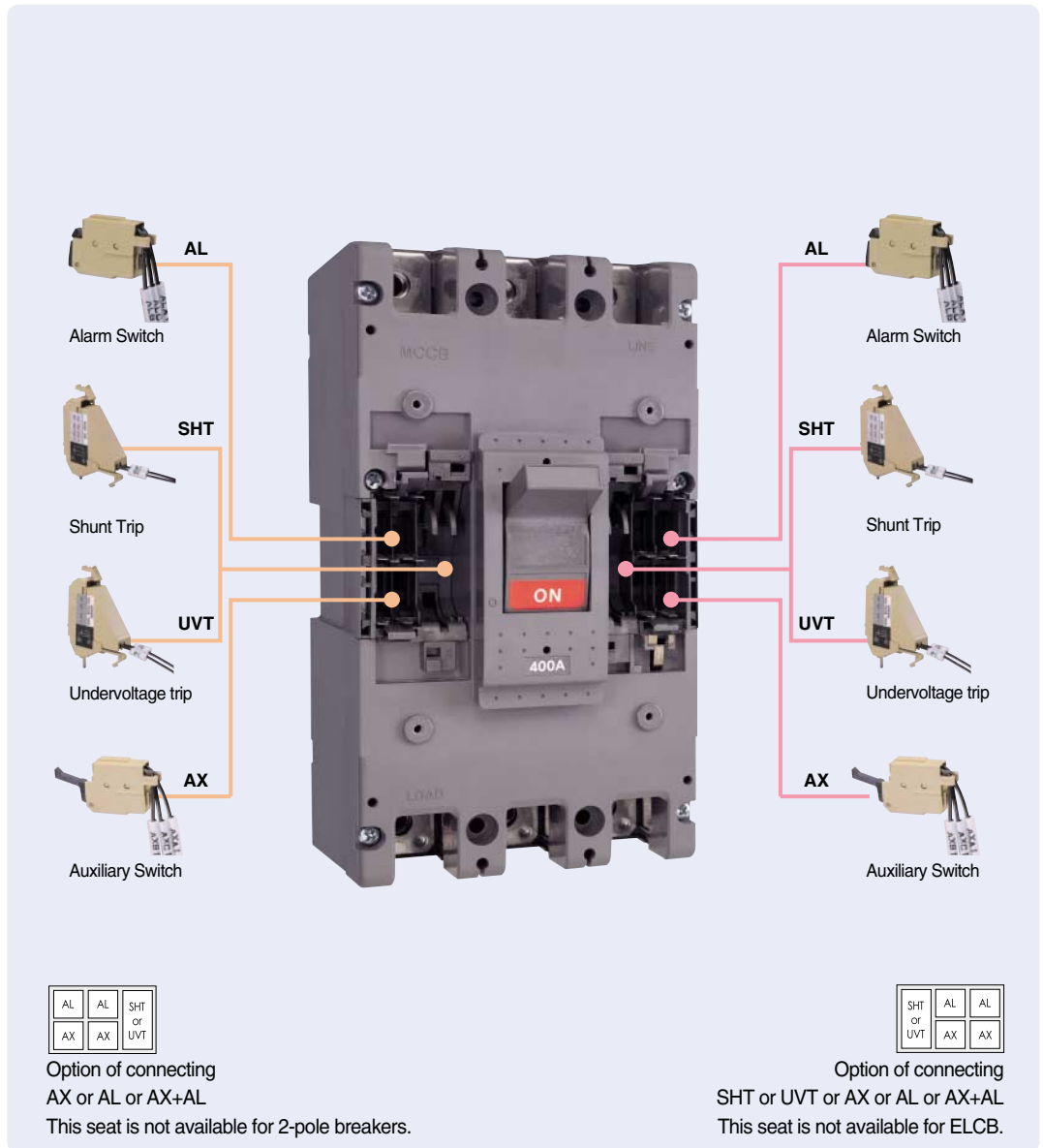
Option of connecting AX or AL or AX+AL  
This seat is not available for 2-pole MCCB.

Option of connecting SHT or UVT  
or AX or AL or AX+AL  
This seat is not available for ELCB.

### Maximum possibilities

Position	Type	ABN100c		ABH125c		ABH250c	EBN100c	EBH125c	EBH250c
		2p	3/4p	2p	3/4p	2/3/4p	2/3/4p	3/4p	2/3/4p
Left-hand seat	AX	-	1	-	1	1	1	1	1
	AL	-	1	-	1	1	1	1	1
	AX+AL	-	1	-	1	1	1	1	1
Right-hand seat	AX	1	1	1	1	1	-	-	-
	AL	1	1	1	1	1	-	-	-
	AX+AL	1	1	1	1	1	-	-	-
	SHT/UVT	1	1	1	1	1	-	-	-

## Electrical auxiliaries of 400~800AF



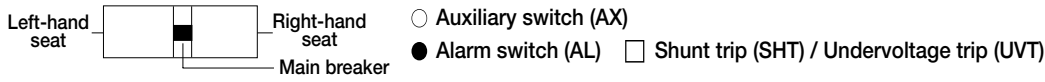
### Maximum possibilities

Position	Type	MCCB (400~800AF)	ELCB (400~800AF)
Left-hand seat	AX	2	2
	AL	2	2
	SHT/UVT	1	1
Right-hand seat	AX	2	-
	AL	2	-
	SHT/UVT	1	-

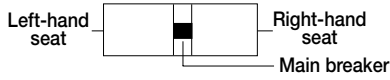
# Accessories

Metasol

## Combinations of accessories



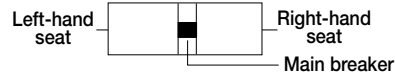
Series	MCCB (30-250AF)				MCCB (400-800AF)	MCCB (1000-1200AF)	
Type	N-Type	ABE 32b	ABE 33b	ABN 52c ABN 62c ABN 102c/102d	ABN 53c/54c ABN 63c/64c ABN 103c/104c, ABN 103d/104d ABN 202c/203c/204c	ABN 402c/403c/404c ABN 802c/803c/804c	-
	S-Type	-	-	ABS 32c ABS 52c ABS 62c ABS 102c	ABS 33c/34c ABS 53c/54c ABS 63c/64c ABS 103c/104c ABS 202c/203c/204c	ABS 402c/403c/404c ABS 802c/803c/804c	ABS 1003b ABS 1004b ABS 1203b ABS 1204b ABS 1203bE
	H-Type	-	-	ABH 52c ABH 102c	ABH 53c/54c ABH 103c/104c ABH202c/203c/204c	ABH 402c/403c/404c	-
	L-Type	-	-	-	-	ABL 402c/403c/404c ABL 802c/803c/804c	ABL 1003b ABL 1004b ABL 1203b ABL 1204b
Pole	2 Pole	3 Pole	2 Pole	2, 3, 4 Pole		2, 3, 4 Pole	3, 4 Pole
AX							
AX2							
AX3 (4)							
AL							
AL2							
AL3(4)							
SHT(UVT)							
SHT(UVT)2							
AX+AL							
AX+AL2							
AX+AL3(4)							
AX2+AL							
AX2+AL2							
AX2+AL3(4)							
AX3(4)+AL							
AX3(4)+AL2							
AX3(4)+AL3(4)							
AX+SHT(UVT)							



- Auxiliary switch (AX)  
● Alarm switch (AL)    □ Shunt trip (SHT) / Undervoltage trip (UVT)

Series		MCCB (30-250AF)				MCCB (400-800AF)	MCCB (1000-1200AF)
Type	N-Type	ABE 32b	ABE 33b	ABN 52c ABN 62c ABN 102c	ABN 53c/54c ABN 63c/64c ABN 103c/104c ABN 202c/203c/204c	ABN 402c/403c/404c ABN 802c/803c/804c	-
	S-Type	-	-	ABS 32c ABS 52c ABS 62c ABS 102c	ABS 33c/34c ABS 53c/54c ABS 63c/64c ABS 103c/104c ABS 202c/203c/204c	ABS 402c/403c/404c ABS 802c/803c/804c	ABS 1003b ABS 1004b ABS 1203b ABS 1204b ABS 1203bE
	H-Type	-	-	ABH 52c ABH 102c	ABH 53c/54c ABH 103c/104c ABH202c/203c/204c	ABH 402c/403c/404c	-
	L-Type	-	-	-	-	ABL 402c/403c/404c ABL 802c/803c/804c	ABL 1003b ABL 1004b ABL 1203b ABL 1204b
Pole		2 Pole	3 Pole	2 Pole	2, 3, 4 Pole	2, 3, 4 Pole	3, 4 Pole
AX+SHT(UVT)2							
AX2+SHT(UVT)							
AX2+SHT(UVT)2							
AX3(4)+SHT(UVT)							
AX3(4)+SHT(UVT)2							
AL+SHT(UVT)							
AL+SHT(UVT)2							
AL2+SHT(UVT)							
AL2+SHT(UVT)2							
AL3(4)+SHT(UVT)							
AL3(4)+SHT(UVT)2							
AX+AL+SHT(UVT)							
AX+AL+SHT(UVT)2							
AX2+AL2+SHT(UVT)							
AX2+AL2+SHT(UVT)2							
AX3(4)+AL3(4)+SHT(UVT)							
AX3(4)+AL3(4)+SHT(UVT)2							

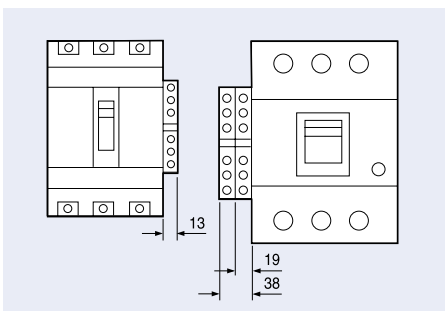
## Combinations of accessories



- Auxiliary switch (AX)
- Alarm switch (AL)  Shunt trip (SHT) / Undervoltage trip (UVT)

Series		ELCB (30-250AF)	ELCB (400-800AF)	ELCB (1000-1200AF)
Type	N-Type	EBN 52c/53c/54c EBN 63c EBN 102c/103c/104c EBN 202c/203c	EBN 403c/404c EBN 803c	-
	S-Type	EBS 33c/34c EBS 53c/54c EBS 63c/64c EBS 103c/104c EBS 203c/204c	EBS 403c/404c EBS 803c	EBS 1003b EBS 1203b
	H-Type	EBH 53c/54c EBH 53c/54c EBH 103c/104c	EBH 403c/404c	-
	L-Type	-	EBL 403c/404c EBL 803c	-
Pole		3, 4 Pole	3 Pole	3 Pole
AX				
AX2				
AL				
AL2				
SHT(UVT)				
AX+AL				
AX+AL2				
AX2+AL				
AX2+AL2				
AX+SHT(UVT)				
AX2+SHT(UVT)				
AL+SHT(UVT)				
AL2+SHT(UVT)				
AX+AL+SHT(UVT)				
AX2+AL2+SHT(UVT)				

### Terminal block type



## Auxiliary and Alarm switch

### Auxiliary switch (AX)



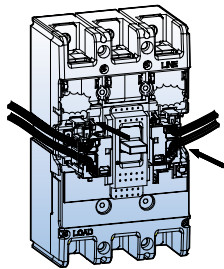
Auxiliary switch is for applications requiring remote "ON" and "OFF" indication. Each switch contains two contacts having a common connection. One is open and the other closed when the circuit breaker is open, and viceversa.

### Alarm switch (AL)



Alarm switches offer provisions for immediate audio or visual indication of a tripped breaker due to overload, short circuit, shunt trip, or undervoltage release conditions. They are particularly useful in automated plants where operators must be signaled about changes in the electrical distribution system. This switch features a closed contact when the circuit breaker is tripped automatically. In other words, this switch does not function when the breaker is operated manually. Its contact is open when the circuit breaker is reset.

### Combination switch (AX+AL)



It consists of one auxiliary switch (AX) and one alarm switch (AL) in a body to connect into the same position of the breaker.

### Contact (AX+AL)

MCCB	ON	OFF	TRIP
AX			
AL			

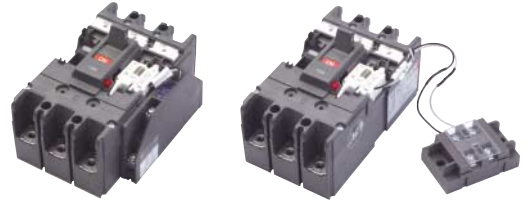
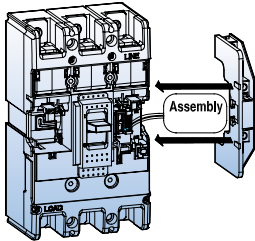
### Rating (AX+AL)

Conventional thermal current, I <sub>th</sub>	5A		
Rated operational current, I <sub>e</sub>	Voltage, U <sub>e</sub>	Current, I <sub>e</sub>	
		Resistive load	Inductive load
AC 50/60Hz	125V	5	3
	250V	3	2
	500V	-	-
DC	30V	4	3
	125V	0.4	0.4
	250V	0.2	0.2

## Accessories

### Shunt trip, SHT

The shunt trip opens the mechanism in response to an externally applied voltage signal. The releases include coil clearing contacts that automatically clear the signal circuit when the breaker has tripped. This is not available for ELCBs of 30~250AF .



#### Rating for 30~250AF

Control voltage, Ue	Power consumption		
	AC (VA)	DC (W)	mA
AC/DC 12V	0.35	0.36	30
AC/DC 24V	0.64	0.65	27
AC/DC 48V	1.09	1.1	23
AC/DC 60V	1.2	1.22	20
AC/DC 100~130V	0.73	0.75	5.8
AC/DC 200~250V	1.21	1.35	5.4
AC 380~450V	1.67	-	3.8
AC 440~500V	1.68	-	3.5
<b>Max. opening time</b>	50ms (max.)		
<b>Tightening torque of terminal screw</b>	12 kgf · cm		

Note: 1. Range of operational voltage: 0.7 ~ 1.1Vn  
Frequency (Only AC): 45Hz ~ 65Hz  
2. SHT is available in both type - Terminal block type and Lead wire type



Terminal block type



Lead wire type

#### Rating for 400~800AF

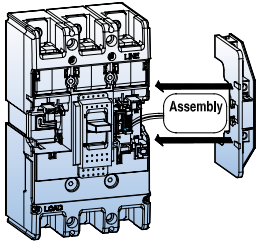
Control voltage, Ue	Power consumption		
	V	mA	W
AC/DC 24~48	AC 24	14	0.3
AC 100~125/DC 100~110	DC 24	15.4	0.4
AC 200~240/DC 200~220	AC 48	14	0.7
AC 380~460	DC 48	16	0.8
AC 480~550	AC 110	6	0.7
	DC 110	6.6	0.7
	AC 220	6.8	1.5
	DC 200	7.6	1.5
	AC 440	4.3	1.9
	AC 480	4.4	3.3
	AC 550	4.6	2.4

Note: Range of operational voltage  
AC: 0.85 ~ 1.1Vn  
DC: 0.75 ~ 1.25Vn





## Undervoltage release, UVT



The undervoltage release automatically opens a circuit breaker when voltage drops to a value ranging between 20% to 70% of the line voltage. The operation is instantaneous, and after tripping, the circuit breaker cannot be re-closed again until the voltage returns to 85% of line voltage.

Continuously energized, the undervoltage release must be operating before the circuit breaker can be closed. This is not available for ELCBs of 30~250AF .

- Range of tripping voltage: 0.2 ~ 0.7Vn
- Reset and closing of a breaker is possible when the control voltage is over 0.85Vn
- Frequency (Only AC): 45Hz ~ 65Hz

### Rating for 30~250AF



Control voltage, Ue	Power consumption		
	AC (VA)	DC (W)	mA
AC/DC 24V	0.64	0.65	27
AC/DC 48V	1.09	1.1	23
AC/DC 100~110V	0.73	0.75	5.8
AC/DC 200~220V	1.21	1.35	5.4
AC 380~440V	1.67	-	3.8
AC 440~480V	1.68	-	3.5
<b>Max.opening time</b>	50ms (max.)		
<b>Tightening torque of terminal screw</b>	12 kgf · cm		
<b>Operating voltage range</b>	Trip	20~70% Vn	
	Reset/Closing	≥ 0.85Vn	

### Rating for 400~800AF



Control voltage, Ue	Trip voltage	Reset/closing voltage	Time rating
AC/DC 48	· AC: 85~1.1Vn · DC: 85~1.25Vn	· AC: 0.2~0.7Vn · DC: 0.2~0.7Vn	Continuous
AC/DC 100~125			
AC/DC 200~240			
AC 380~440			
AC 440~480			

### Terminal numbering

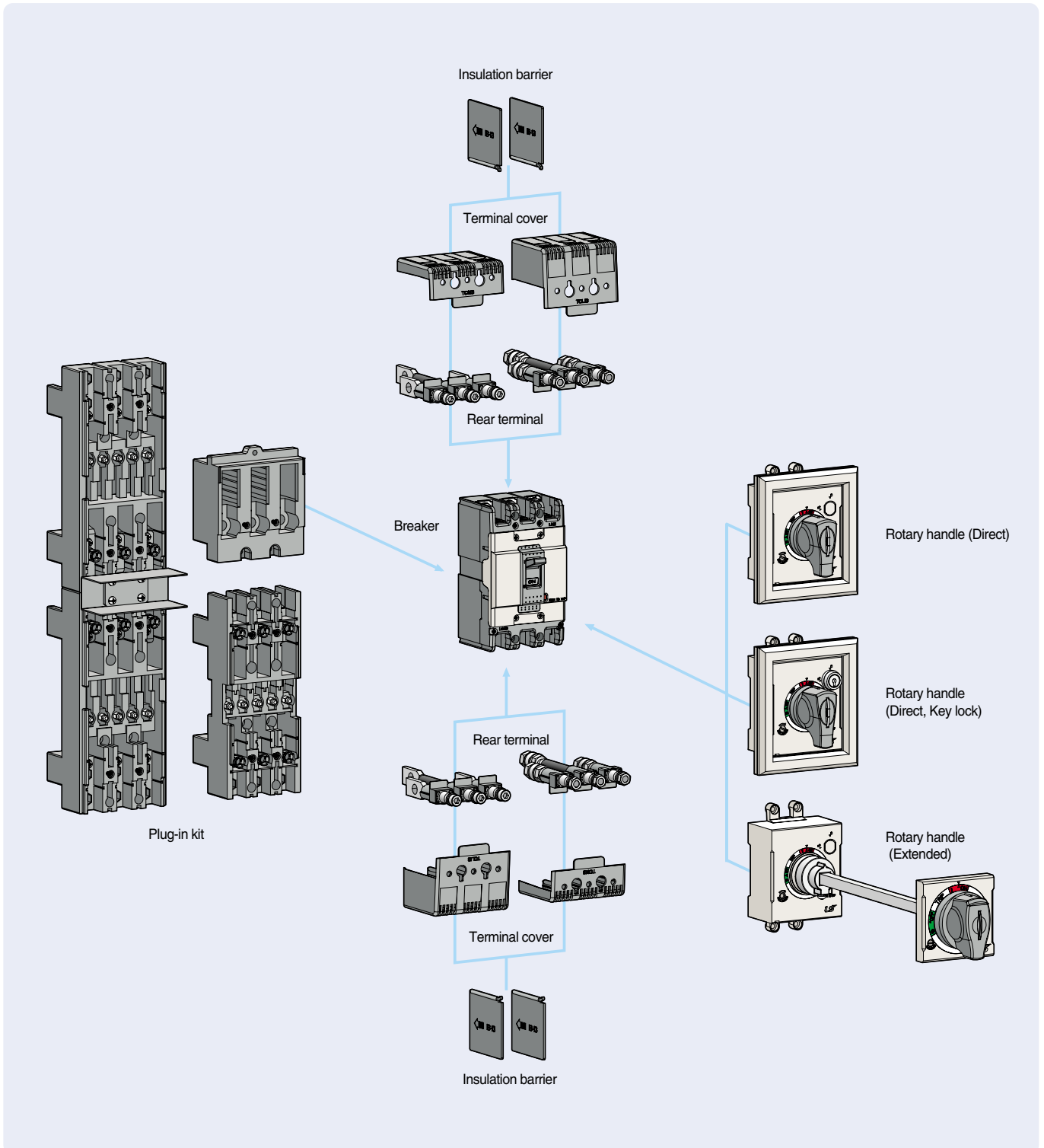
Auxiliary Switch (AX)	Alarm Switch (AL)	Shunt Trip (SHT)	Undervoltage trip (UVT)

# Accessories

Metasol

## External accessories

Wide range of external accessories provides user-friendly solution for mounting, cable connection, insulation, safety lock and remote control.



## Rotary handles

### Direct type



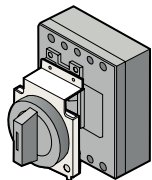
Direct type  
(DH 30~250AF)



Key lock  
(DH 30~250AF)



(N 30~250AF)

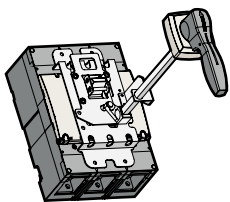


(N 400~800AF)

### Extended type



Extended type  
(30~250AF)



(400~800AF)

The rotary handle operating mechanism is available in either the direct version or in the extended version on the compartment door. It is always fitted with a compartment door lock and on a request it can be supplied with a key lock in the open position.

### Direct type , D-handle and N-handle

-D-Handle : Directly mountable to a circuit breaker. Trip button is built as standard. Key lock type is optional.

-N-Handle : Directly mountable to a circuit breaker. Door is locked in the Off state. Handle size is greater than D-Handle.

### Extended type, E-Handle

It is used in case direct type handle can not be applied because of the longer distance between the breaker and the panel door.

### Type

Direct type	Direct type (Key lock)	Extended type	Breaker type	
			MCCB	ELCB
N-30c	-	-	ABN50c/60c/100c	EBS50c/60c/100c
DH100	DHK100	EH100	ABS30c/50c/60c	EBS30c/50c/60c
N-40c	-	-	ABS125c	EBS125c
DH125	DHK125	EH125	ABH50c/125c	EBH50c/125c
N-50c	-	-	ABN/S/H250c	EBN/S/H250c
DH250	DHK250	EH250		
N-70	-	E-70U	ABN/S/H/L400c	EBN/S/H/L400c
N-80	-	E-80U	ABN/S/L630c/800c	EBN/S/L630c/800c

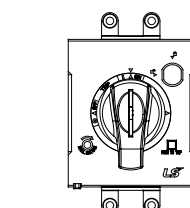
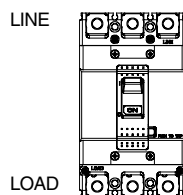
### Degree of protections

Type	Degree of protection	IP degree	
Circuit breaker with cover frame and rotary direct handle	D-handle N-handle	The access probe of 1.0mm diameter shall not penetrate.	IP40
Circuit breaker with cover frame and rotary extended handle	E-handle	Totally protected against ingress of dust and water jets from any direction	IP65

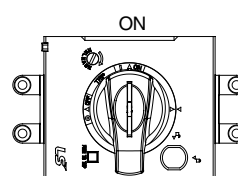
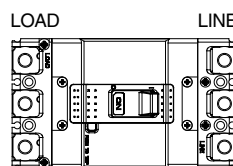
Note: IP30 for N-handle

### Type suffix according to the mounting position

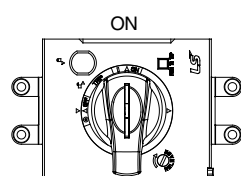
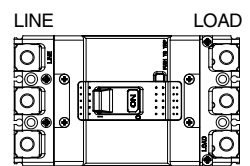
#### S-Type



#### L-Type



#### R-Type

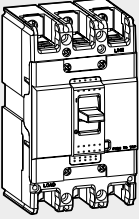
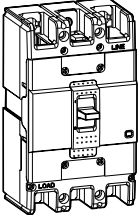
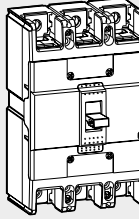


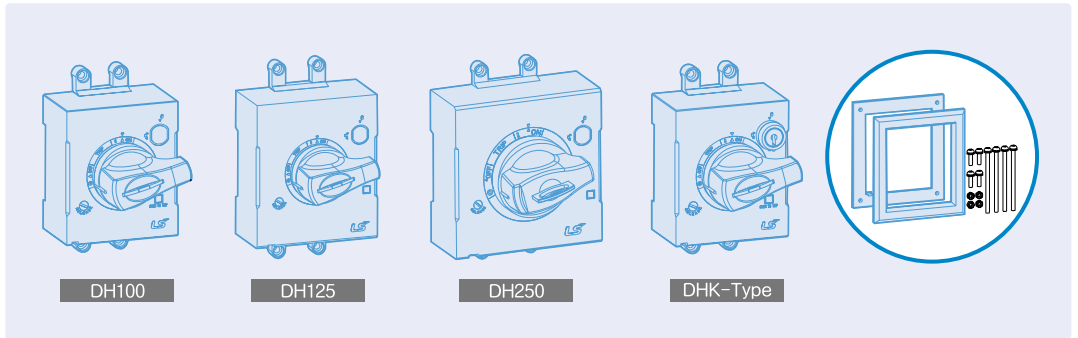
# Accessories

Metasol

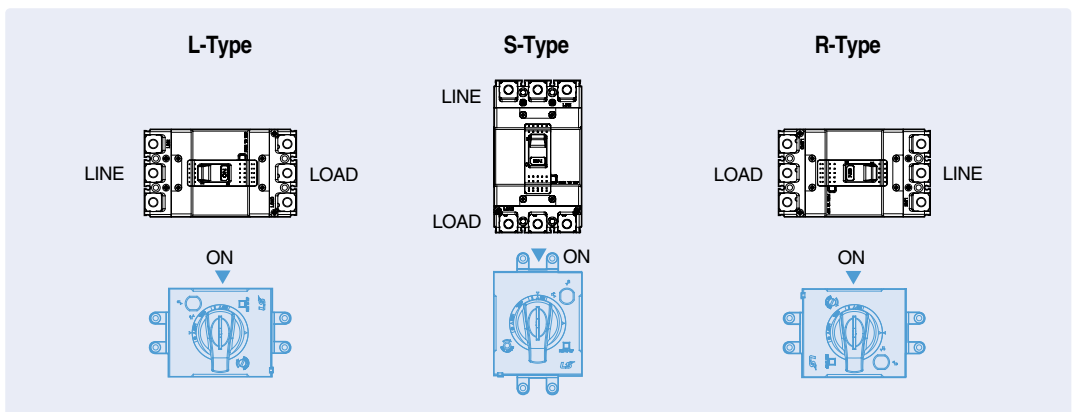
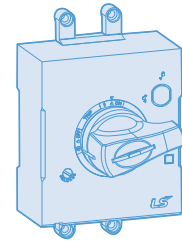
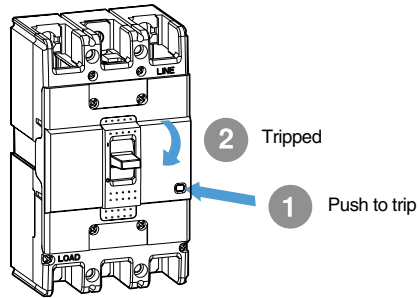
## D-handle

### MCCB and D-handle

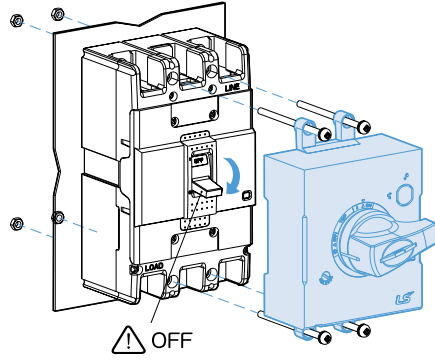
ABN100c	ABH125c	ABH250c
		



### Tripping MCCB & Install type

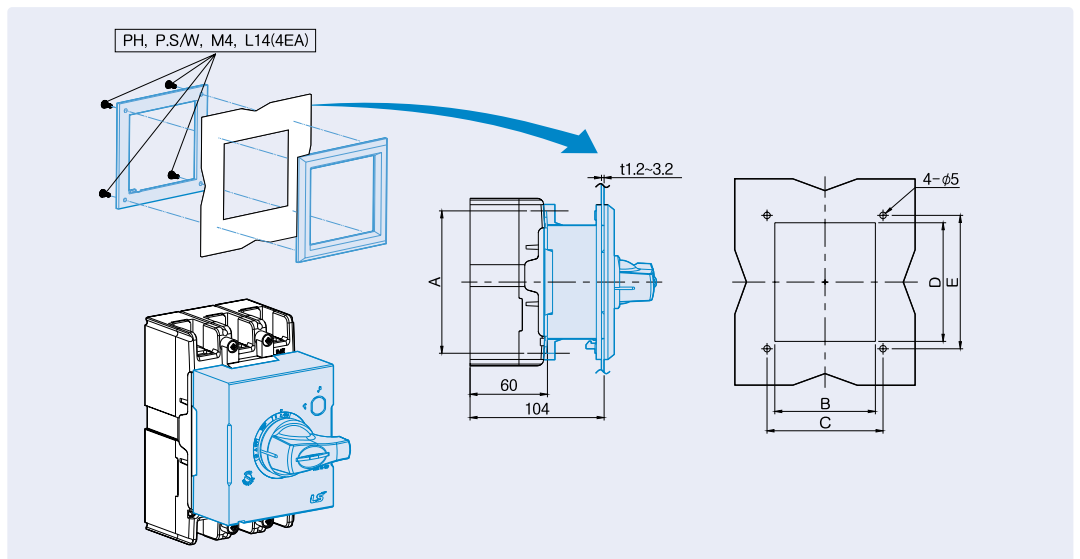


### Installing the D-handle



ABN100c, EBN100c	ABH125c, EBH125c	ABH250c, EBH250c

### Cutting Panel



D-Handle	A (mm)	B (mm)	C (mm)	D (mm)	E (mm)	Breaker
DH100	110.5	78	90	92	103.4	100AF
DH125	132	94	105	108	120	125AF
DH250	126	108	121	110	122	250AF

# Accessories

Metasol

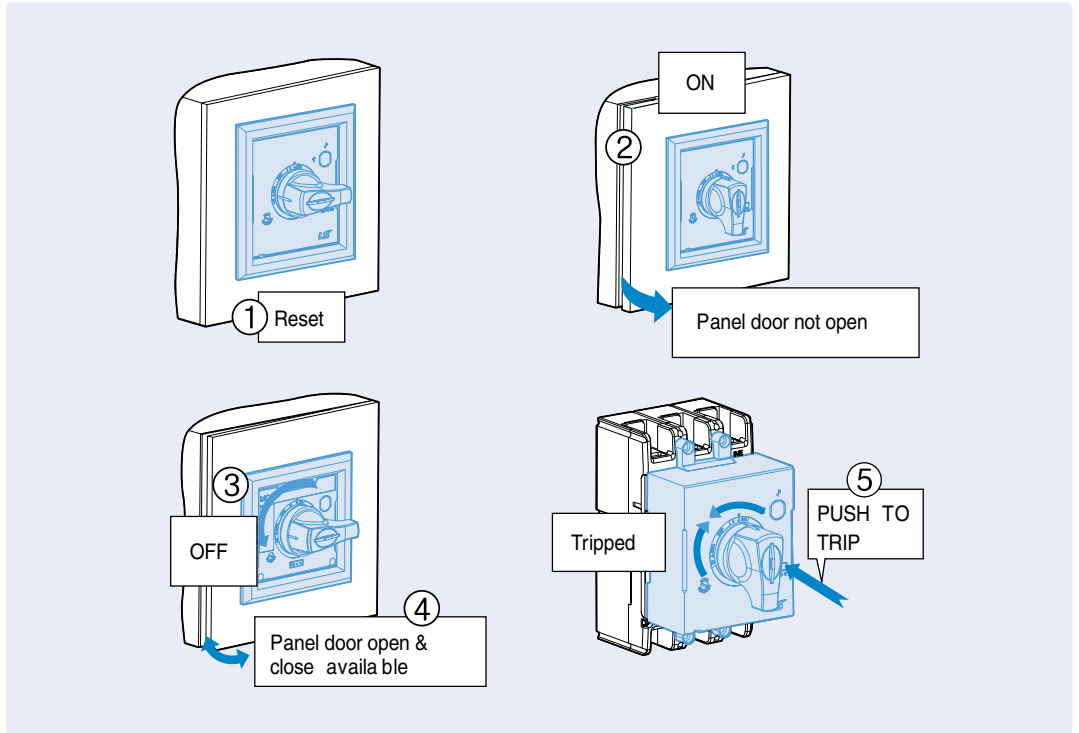
## D-handle

### Operating Test

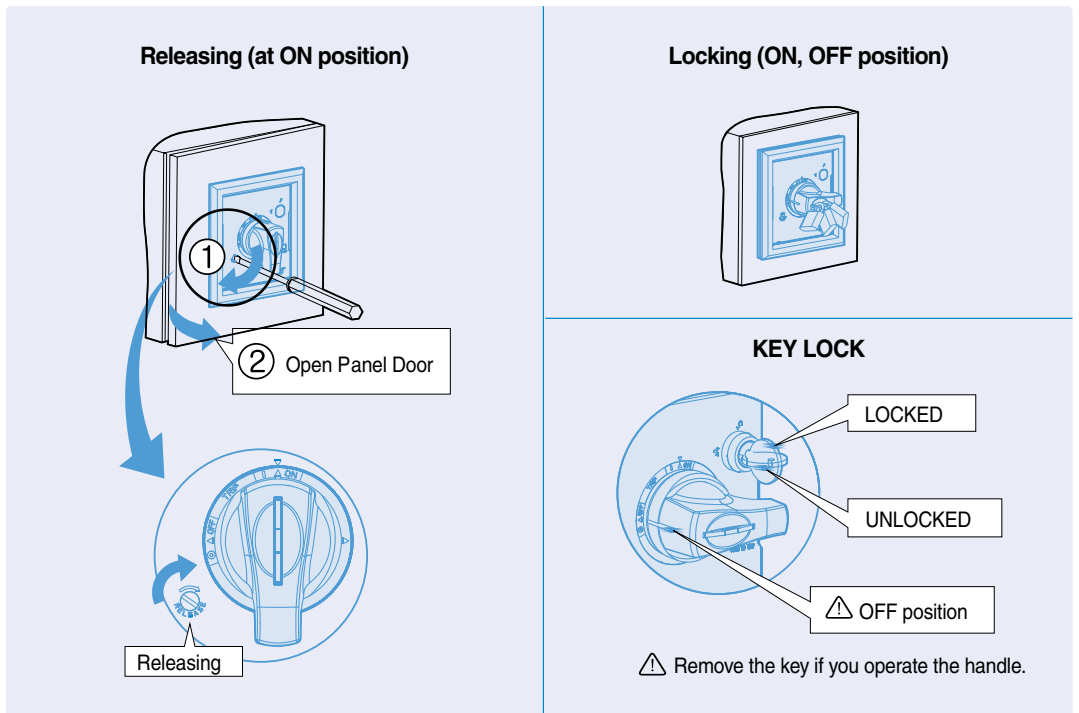
**CAUTION**

If the door is opened with much pressure when the position of handle is ON or TRIP, the handle lock lever will be damaged.

TRIP position : Panel door can't be opened

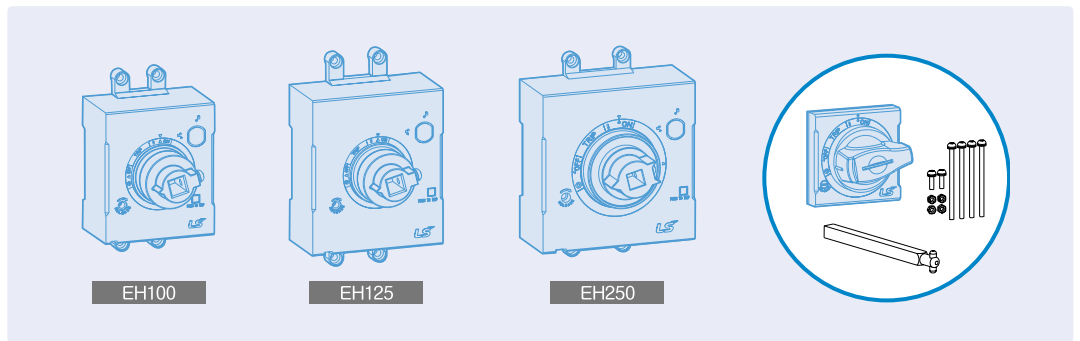
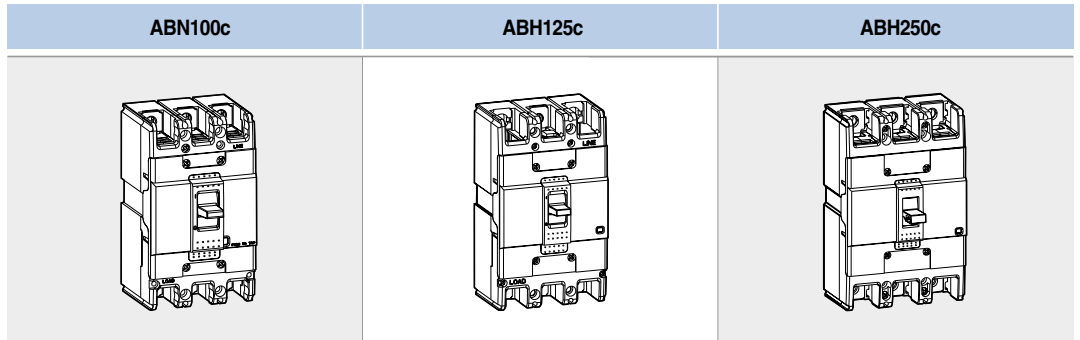


### Locking System

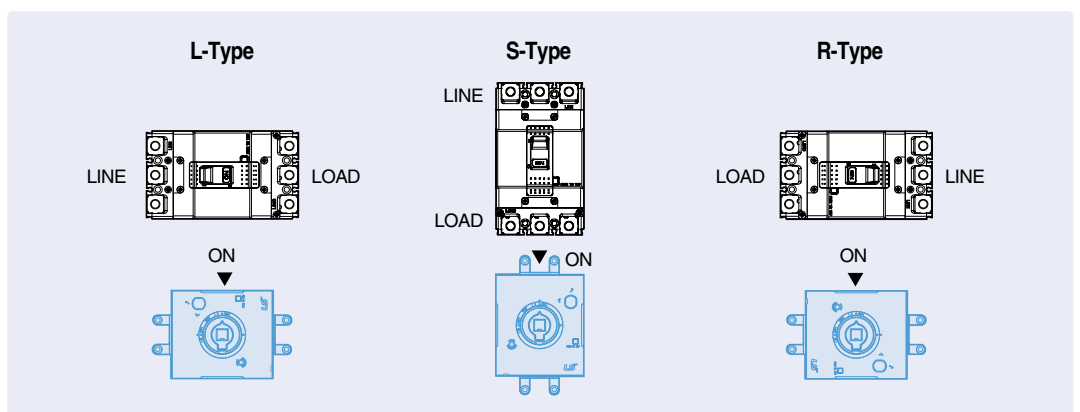
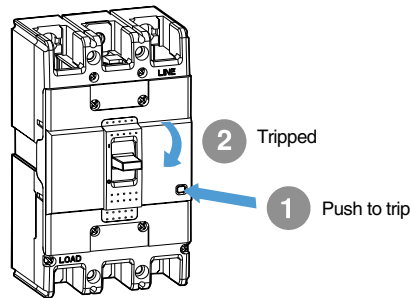


## E-handle

### MCCB and E-handle



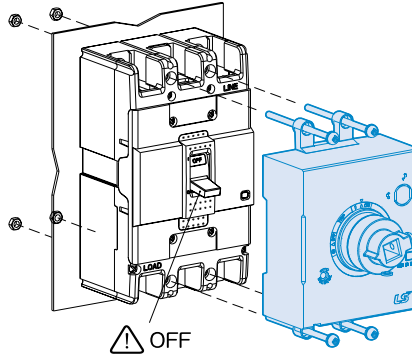
### Tripping MCCB & Install type



# Accessories

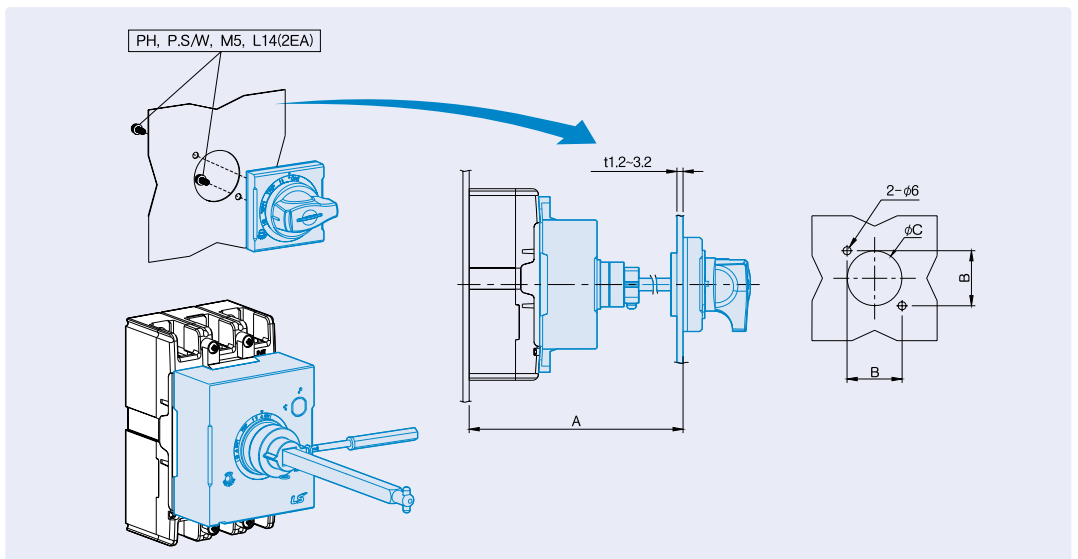
## E-handle

### Installing the E-handle



ABN100c, EBN100c	ABH125c, EBH125c	ABH250c, EBH250c

### Cutting Panel



E-Handle	A (mm)	B (mm)	C (mm)	Breaker
EH100	min 150, max 573.5 (SHAFT469mm)	47	Ø53	100AF
EH125	min 150, max 573.5 (SHAFT469mm)	47	Ø53	125AF
EH250	min 150, max 571.5 (SHAFT469mm)	47	Ø53	250AF

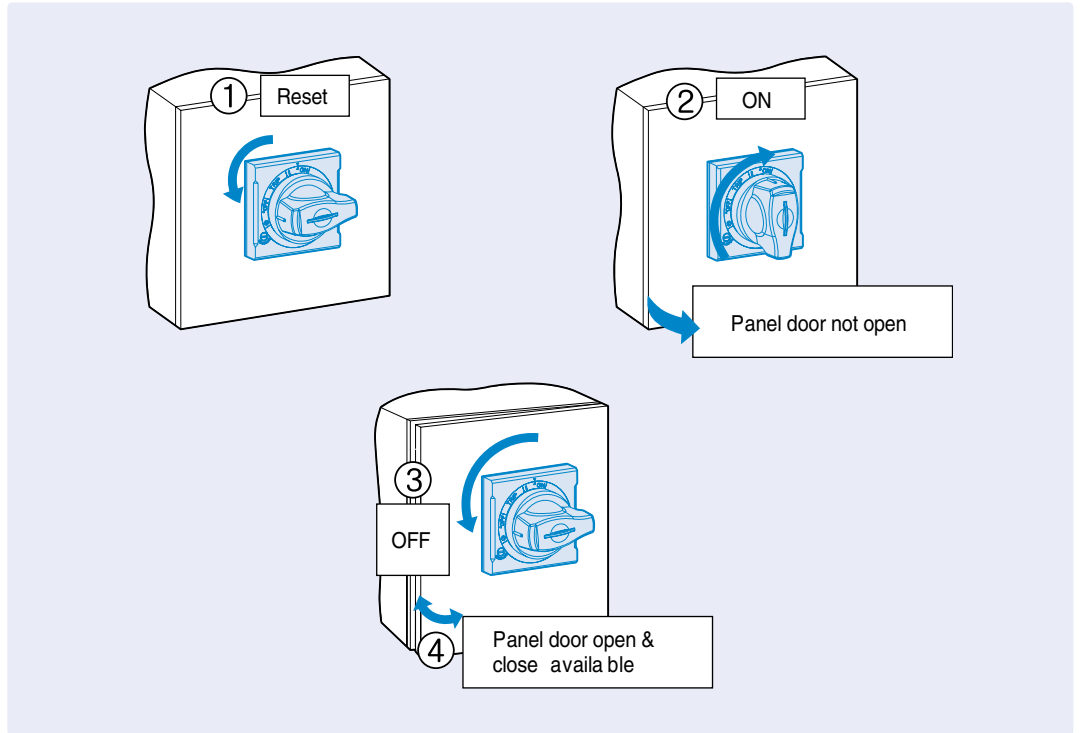


### Operating Test

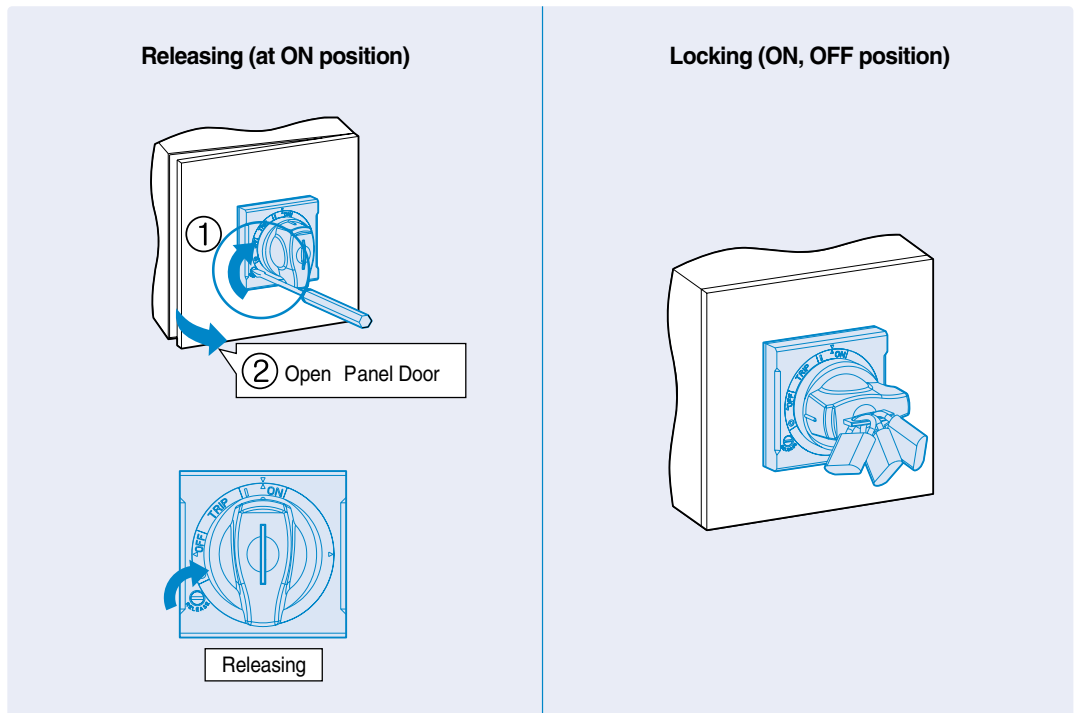
**CAUTION**

If the door is opened with much pressure when the position of handle is ON or TRIP, the handle lock lever will be damaged.

TRIP position : Panel door can't be opened



### Locking System



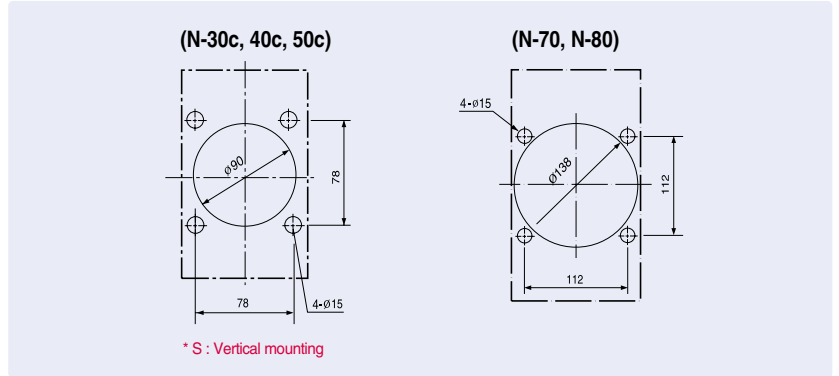
# Accessories

## N-handle

### How to mount

#### 1) Drilling on the panel door

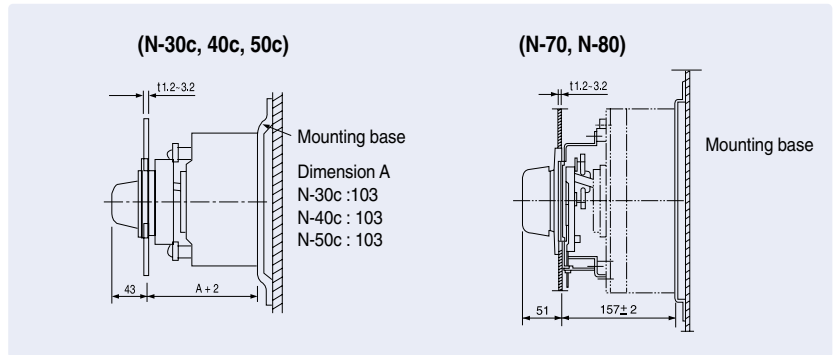
- ① All the N handles require the same size of mounting hole.
- ② Drill the holes according to the Fig. 1



<Fig 1>

#### (2) Mounting base

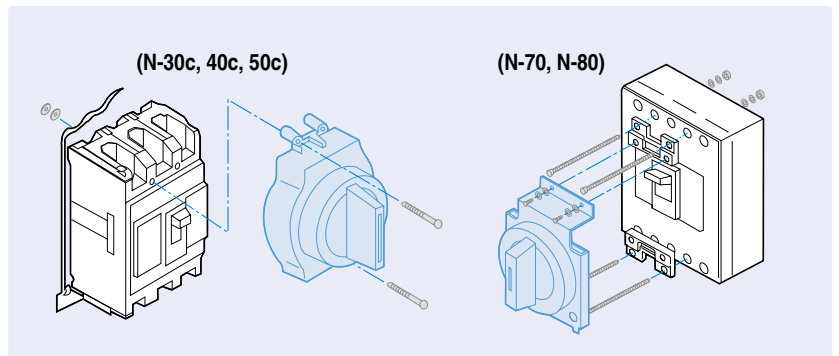
- ① Prepare a mounting base according to the Fig. 2 .  
 The distance between the door panel and the mounting base should be  $A+2$ . Dimension A is shown in the Fig.
- ② In the case of horizontal mounting turn the breaker mounting holes by 90 degrees



<Fig 2>

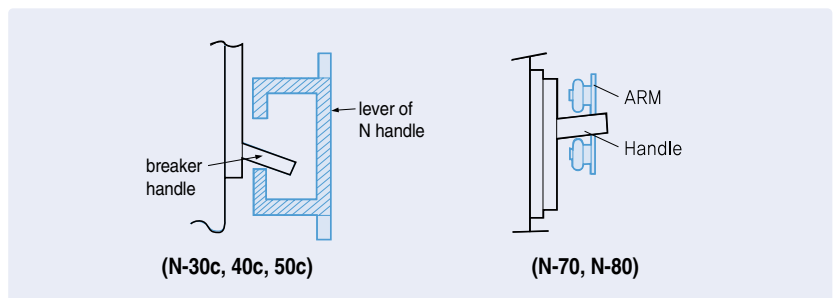
#### (3) Fixing

- ① Fixing a breaker and a handle at the same time.
  - a) As shown in the Fig. 3 a breaker and a handle can be fixed at the same time on a mounting base with the 4 (long) screws enclosed.



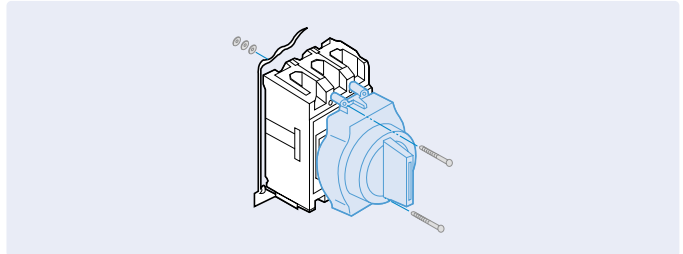
<Fig 3>

- b) Have the breaker handle and the lever of N handle be located in the position shown in Fig. 4.



<Fig 4>

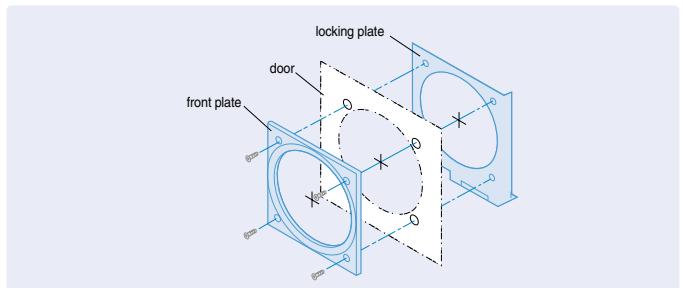
- ② Fixing a handle and a breaker step by step
- Check if there is any thin membrane in the mounting hole of the breaker cover and remove it, If exists.
  - Have the breaker handle and the lever of N handle be located in the position shown in Fig. 4.
  - Fix the N handle on the breaker with the 2 (short) screws enclosed.
  - Fix the breaker on a mounting base with the 2 (long) screws



<Fig 5>

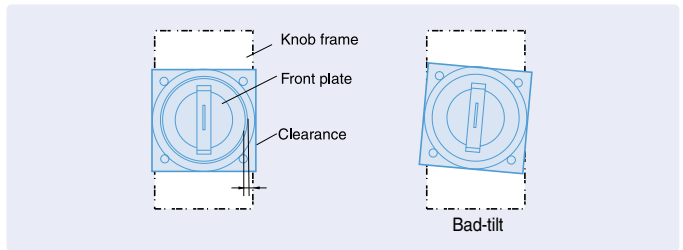
**(4) Fixing front plate and lock plate**

- ① Set the front plate and the locking plate on the door as shown in Fig. 6 fix them with screws.



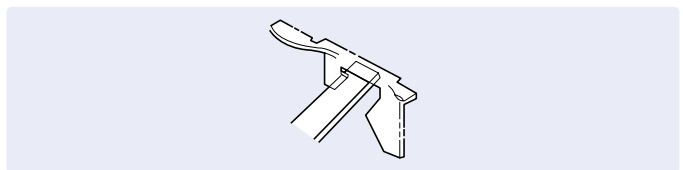
<Fig 6>

- ② Adjust if front plate or handle is at tilt against the breaker .



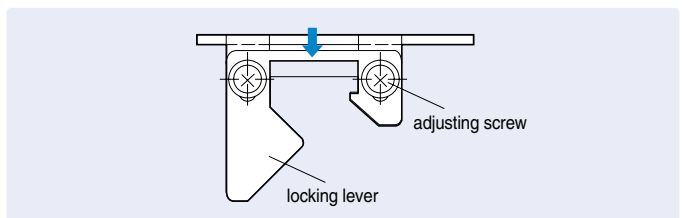
<Fig 7>

- ③ Verify that locking plate and locking lever interact on each other properly when the panel door is closed.  
 If necessary adjust them by following instructions.



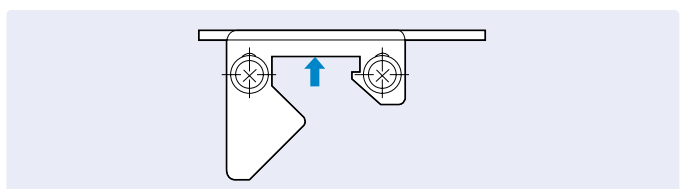
<Fig 8>

- a) In the event the panel door is not fully closed  
 This happens if the distance between the door panel and the mounting base the panels of the door is short.  
 Loosen the adjusting screw in the lock plate and move the plate in the direction of the arrow as shown in Fig. 9.



<Fig 9>

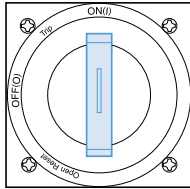
- b) In the event the door does not lock after closing the door  
 This happens if the distance between the door panel and the mounting base the panels of the door is long.  
 Loosen the adjusting screw in the lock plate and move the plate in the direction of the arrow as shown in Fig. 10.



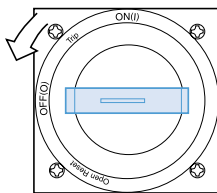
<Fig 10>

# Accessories

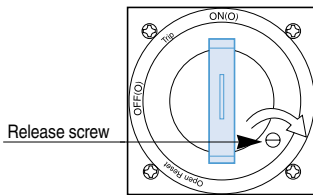
## N-handle



<Fig 11>



<Fig 12>



<Fig 13>

### (1) Operation in the door closed

- ① To have the breaker ON turn the handle to be vertical. <Fig. 11>
- ② To have the breaker OFF turn the handle to be horizontal. <Fig. 12>
- ③ If the breaker is tripped, the handle points to the TRIP position.
- ④ To reset the breaker turn the handle to Reset position.

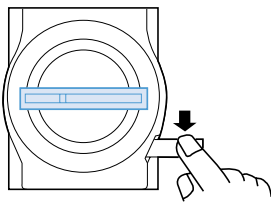
### (2) Unlocking the panel door

- ① The door is locked and will not open at ON, OFF and TRIP status.
- ② To unlock the door from OFF or TRIP status turn the handle toward OPEN direction. (Unlocked after taking the hand off the handle.)
- ③ To unlock the door from ON state turn the Release screw clockwise <Fig. 13>

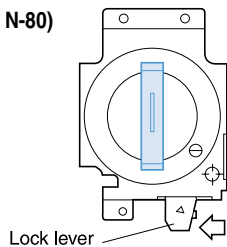
### (3) Operation of the breaker in the door open

- ① When the door is open the breaker will not be ON as the lock lever operates.
- ② To release the locking pull the lock lever to be nearly horizontal position. Then the breaker can be closed. <Fig. 14>
- ③ If the door is closed the lock lever will be reset automatically.

(N-30, 40, 50)



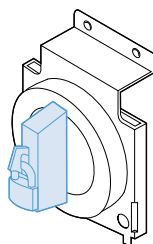
(N-70, N-80)



<Fig 14>

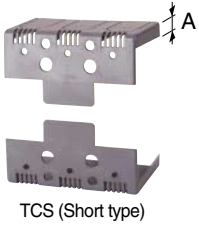
## Padlocking

- ① Lockable at ON or OFF state with a padlock. (Padlock is not supplied)
- ② Pull the lock plate on the front of the handle and fasten the lock. <Fig. 15>
- ③ If the breaker is tripped after padlocking at ON state, the handle will point to the TRIP.
- ④ Padlock diameter should be 3.5 ~ 6mm



<Fig 15>

## Terminal covers



The terminal covers are applied to the circuit-breaker to prevent accidental contact with live parts and thereby guarantee protection against direct contacts.

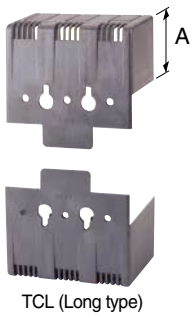
Two types by length are available and provide IP40 degree of protection.

- **Short type covers, TCS:**

For fixed circuit-breakers with rear terminals and for moving parts of plug-in.

- **Long type covers, TCL:**

For fixed circuit-breakers with front, front extended, front for cables terminals.



Type		Pole	Breaker		Size extended(A), mm	
Short Type	Long Type		MCCB	ELCB	Short Type	Long Type
TBS22	-	2P	ABE30b	-	10	-
TBS23	-	3P				
TCS12	TCL12	2P	ABN50c/60c/100c	EBS50c/60c/100c	5.5	30
TCS13	TCL13	3P	ABS30c/50c/60c	EBS30c/50c/60c		
TCS14	TCL14	4P				
TCS22	TCL22	2P	ABS125c	EBS125c	5.5	40
TCS23	TCL23	3P	ABH50c/125c	EBH50c/125c		
TCS24	TCL24	4P				
TCS33	TCL33	2/3P	ABN250c, ABS250c	EBS250c, EBN250c	5.5	50
TCS34	TCL34	4P	ABH250c	EBH250c		
-	T1-43A	2, 3P	ABN/S/H/L400c	EBS/S/H/L400c	-	120
-	T1-44A	4P				
-	T1-63A	2, 3P	ABN/S/L630c/800c	EBS/S/L630c/800c	-	141
-	T1-64A	4P				

Note: Terminal covers for 400AF and 800AF MCCBs are in acrylic.



Short type construction

Long type construction

# Accessories

Metasol

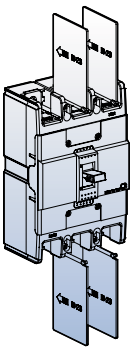
## Insulation barriers



Insulation barrier allows the insulation characteristics between the phases at the connections to be increased. They are mounted from the front, even with the circuit-breaker already installed, inserting them into the corresponding slots.

They are incompatible with both the insulating terminal covers.

It is possible to mount the phase separating partitions between two circuit-breakers side by side.



Type	Breaker	
	MCCB	ELCB
IB-13	ABN50c/60c/100c	EBN50c/60c/100c
	ABS30c/50c/60c	EBS30c/50c/60c
IB-23	ABS125c	EBS125c
	ABH50c/125c	EBH50c/125c
	ABN250c, ABS250c	EBN250c, EBS250c
	ABH250c	EBH250c
IBL400	ABN/S/H/L400c	EBN/S/H/L400c
IBL800	ABN/S/L800c	EBN/S/L800c



Insulation barriers for line side are provided as standard.

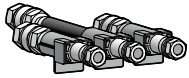
## Rear connection terminals

Rear connection terminals are used to adapt the circuit breakers to switchboards or other applications that require rear connection.

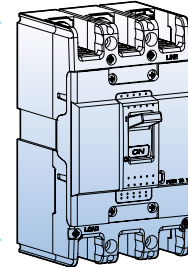
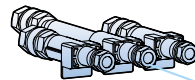
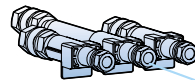
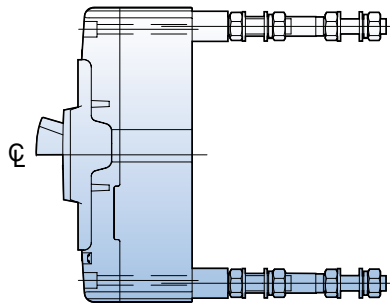
There are two kinds of rear connection terminals.

- Flat type
- Round type

### Round type terminals



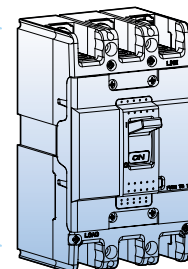
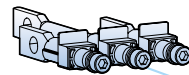
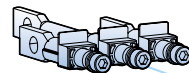
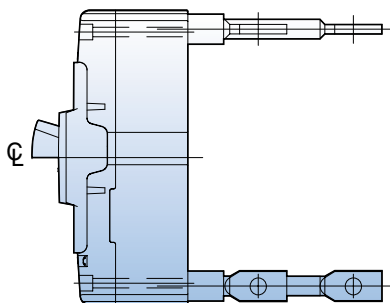
Breaker	For 2-pole	For 3-pole	For 4-pole
ABN100c 50AF	RTR1-52	RTR1-53	-
ABN100c 100AF	RTR1-102	RTR1-103	RTR1-104
ABH125c	RTR2-102	RTR2-103	RTR2-104
ABH250c	RTR3-202	RTR3-203	RTR3-204



### Flat type terminals



Breaker	For 2-pole	For 3-pole	For 4-pole
ABN100c	RTB1-102	RTB1-103	RTB1-104
ABH125c	RTB2-102	RTB2-103	RTB2-104
ABH250c	RTB3-202	RTB3-203	RTB3-204
AB□400c	X-402	X-403	X-404
AB□800c	X-802	X-803	X-804



# Accessories

Metasol

## Plug-in devices



Plug-in base

Plug-in device makes it possible to extract and/or rapidly replace the circuit breaker without having to touch connections for ship and important installations.

The plug-in base is the fixed part of the plug-in version of the circuit-breaker.

It will be installed directly on the back plate of panel.

The circuit-breaker is racked out by unscrewing the top and bottom fixing screws.

### Normal type Plug-in MCCB

- MCCB current rating upto 250A
- generally used in switchgears

### Double-row type Plug-in MCCB

- For 125AF MCCB
- generally used in branch circuits

## Type names of blocks

Breaker	Arrangement	P lug-in block	Remark
ABN100c	Normal	PB-A3-FR	
	Single-row	PB-A3-1DB	
	Double-row	PB-A3-2DB	
	Line-only	PB-A3-FRL	
ABH125c	Normal	PB-C3-FR	
	Single-row	PB-C3-1DB	
	Double-row	PB-C3-2DB	
	Line-only	PB-C3-FRL	
ABH250c	Normal	PB-D3-FR	
400AF	Normal/Line-only	PB-I3-FR/PB-I3-FRL	
800AF	Normal	PB-J3-FR	



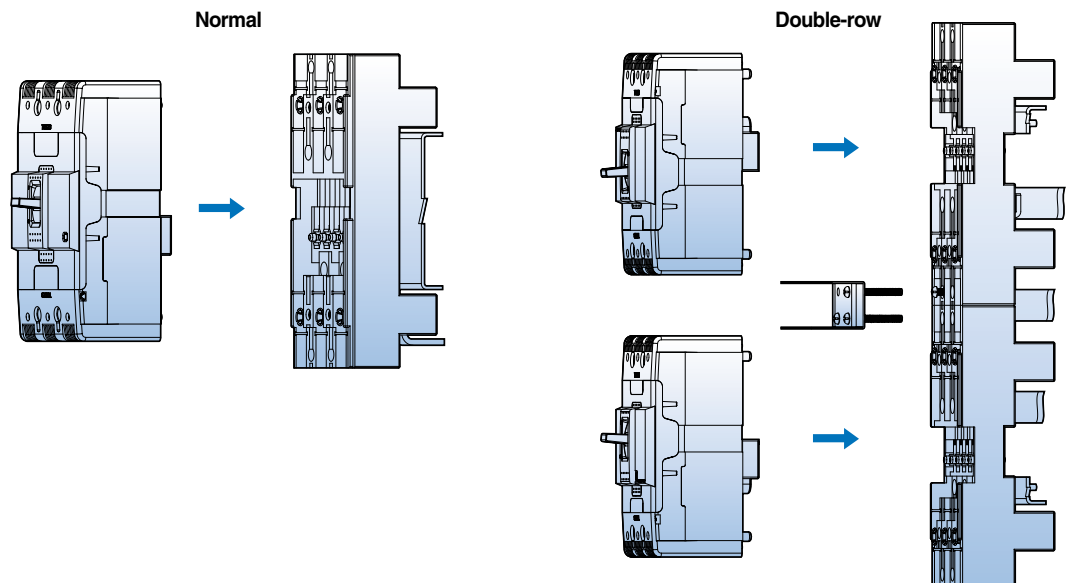
Plug-in type MCCB (plug-in terminal built)



ABH103c plug-in type



ABH203c plug-in type





# Type numbering system

## MCCB

MCCB	Type	Ampere Frame	Pole	Series	Application	Rated current	Accessory	Control voltage of accessory
<b>AB</b>	<b>S</b>	<b>10</b>	<b>3</b>	<b>C</b>	<b>M / 100A</b>	<b>AX</b>	<b>SHT=220V</b>	
<b>N</b>	N-Type	<b>3</b> 30AF	<b>2</b> 2-pole		- General purpose		<b>AX</b> Auxiliary Switch	
<b>S</b>	S-Type	<b>5</b> 50AF	<b>3</b> 3-pole		<b>M</b> Motor protection		<b>AL</b> Alarm Switch	<b>SHT</b>
<b>H</b>	H-Type	<b>6</b> 60AF	<b>4</b> 4-pole				<b>SHT</b> Shunt Trip	AC/DC 12V
<b>L</b>	L-Type	<b>10</b> 100/125AF					<b>UVT</b> Undervoltage trip	AC/DC 24V
		<b>20</b> 225/250AF					<b>DH</b> Rotary handle (Direct)	AC/DC 48V
		<b>40</b> 400AF					<b>EH</b> Rotary handle (Extended)	AC/DC 60V
		<b>80</b> 800AF					<b>RTR</b> Rear terminal	AC/DC
		<b>100</b> 1000AF					<b>RTB</b> Rear terminal	100V-130V
		<b>120</b> 1200AF						AC/DC
								200V-250V
								AC 380V-450V
								AC 440V-500V
								<b>UVT</b>
								AC/DC 24V
								AC/DC 48V
								AC/DC
								100V-110V
								AC/DC
								200V-220V
								AC 380V-440V
								AC 440V-480V

## ELCB

ELCB	Type	Ampere Frame	Pole	Series	Rated residual current	Accessory
<b>EB</b>	<b>S</b>	<b>10</b>	<b>3</b>	<b>C / 100A</b>	<b>30mA</b>	<b>AX</b>
<b>N</b>	N-Type	<b>3</b> 30AF	<b>2</b> 2-pole		30mA	<b>AX</b> Auxiliary Switch
<b>S</b>	S-Type	<b>5</b> 50AF	<b>3</b> 3-pole		100/200/500mA	<b>AL</b> Alarm Switch
<b>H</b>	H-Type	<b>6</b> 60AF	<b>4</b> 4-pole			<b>DH</b> Rotary handle (Direct)
<b>L</b>	L-Type	<b>10</b> 100/125AF				<b>EH</b> Rotary handle (Extended)
		<b>20</b> 225/250AF				<b>RTR</b> Rear terminal
		<b>40</b> 400AF				<b>RTB</b> Rear terminal
		<b>80</b> 800AF				
		<b>100</b> 1000AF				
		<b>120</b> 1200AF				

# Characteristics curves

Metasol

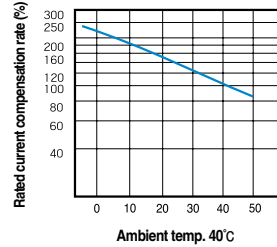
## Breaker types

### MCCB

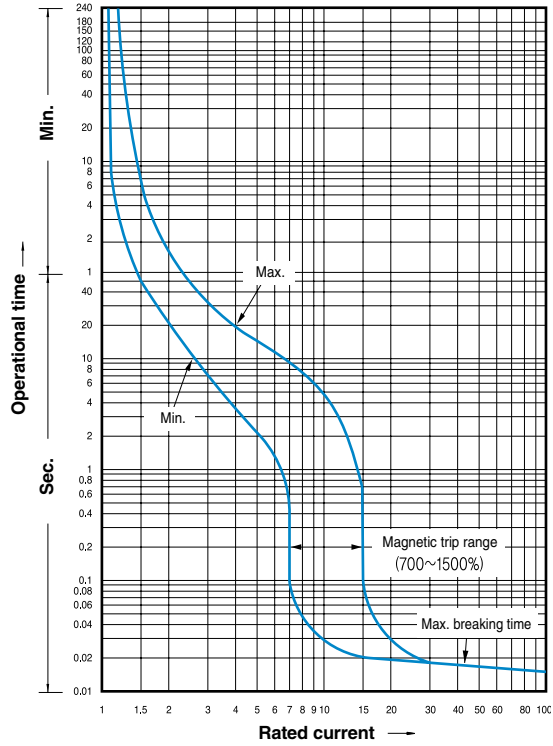
ABE30b

## Compensation curves

### ABE30b



## Rated current: 3~30A (ABE)



## Breaker types

### MCCB

ABN50c/60c/100c/100d

ABS30c/50c/60c

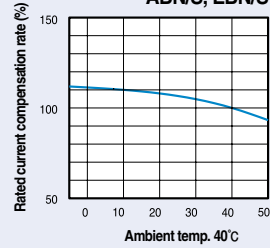
### ELCB

EBN50c/60c/100c

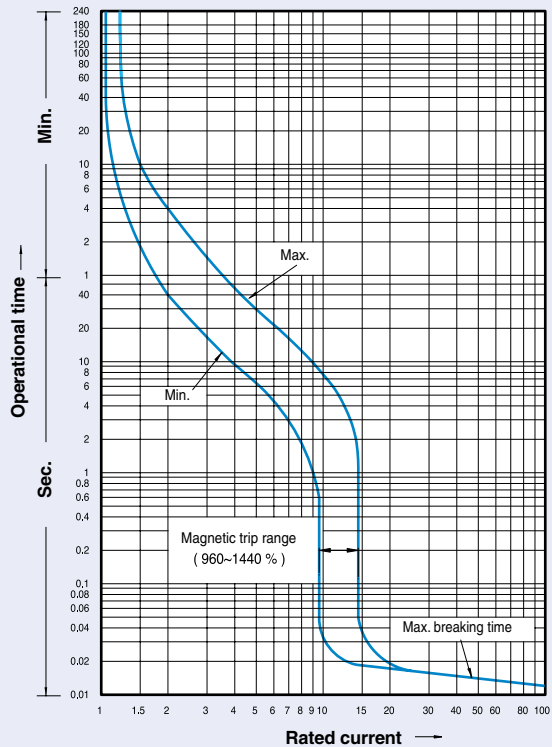
EBS30c/50c/60c

## Compensation curves

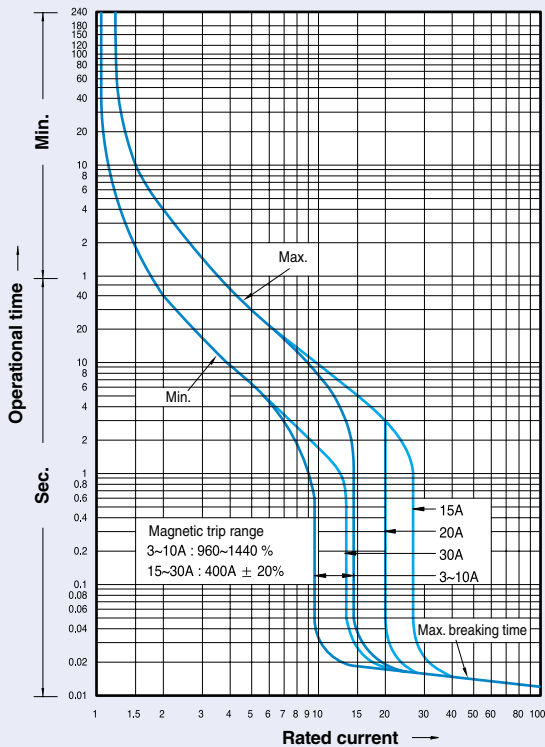
### ABN/S, EBN/S



## Rated current: 40~100A (ABN/S,EBN/S)



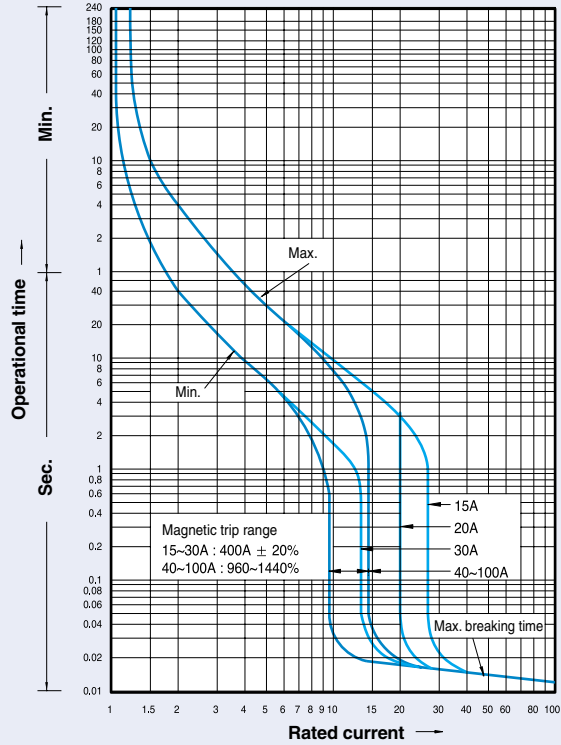
## Rated current: 3~30A (ABN/S,EBN/S)



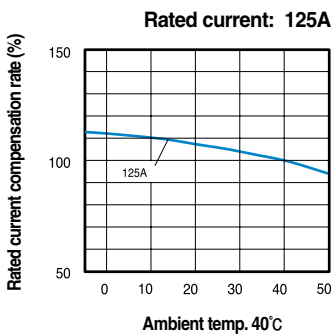
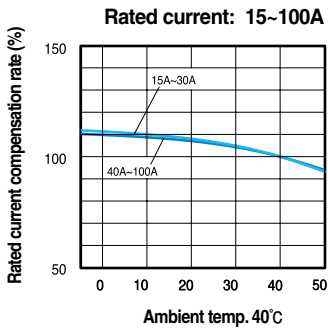
### Breaker types

MCCB
ABS125c
ABH50c/125c
ELCB
EBS125c
EBH50c/125c

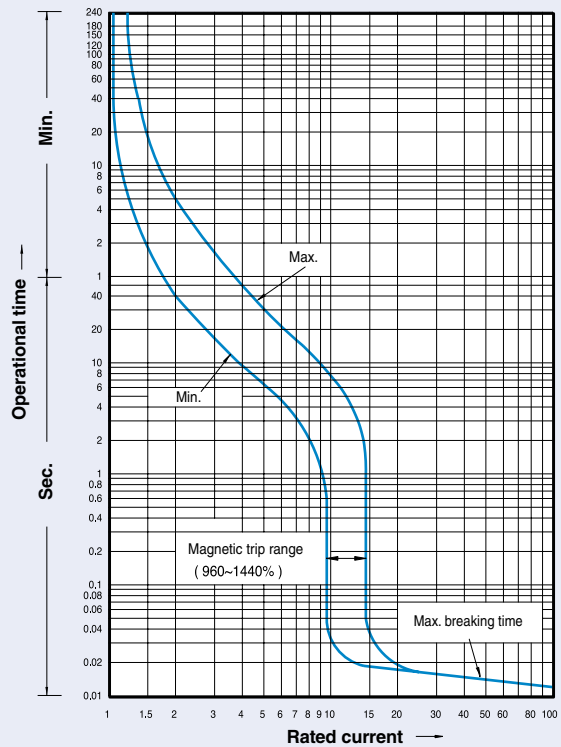
### Rated current: 15~30A, 40~100A



### Compensation curves



### Rated current: 125A



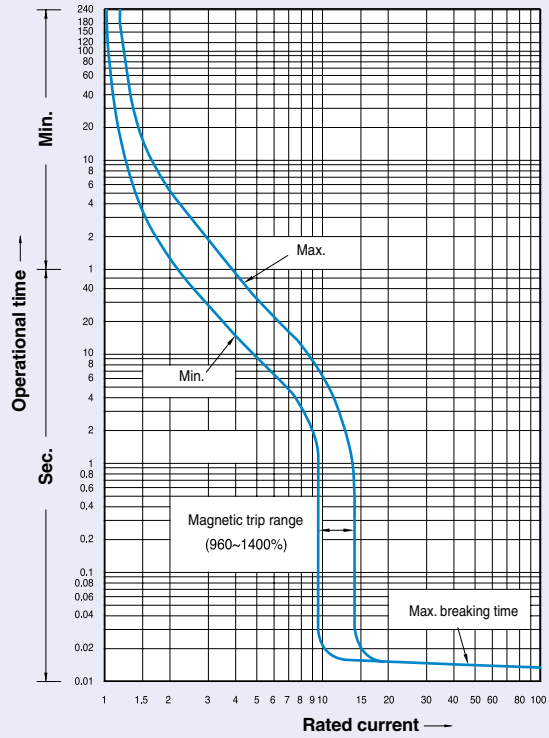
# Characteristics curves

Metasol

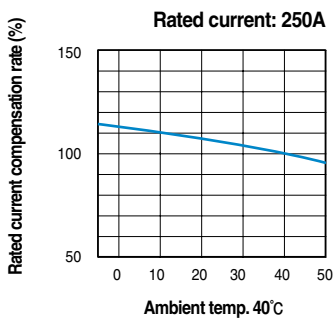
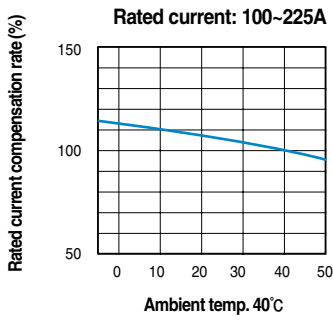
## Breaker types

MCCB
ABN250c, ABS250c
ABH250c
ELCB
EBN250c, EBS250c
EBH250c

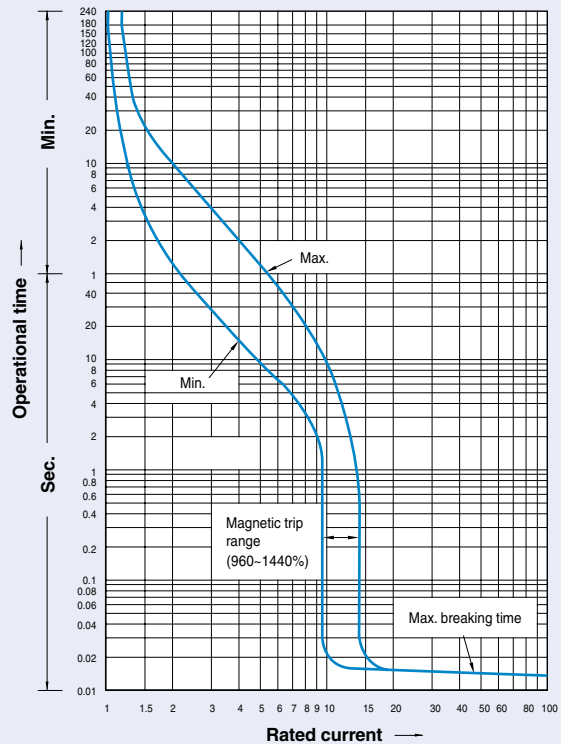
## Rated current: 100~225A



## Compensation curves



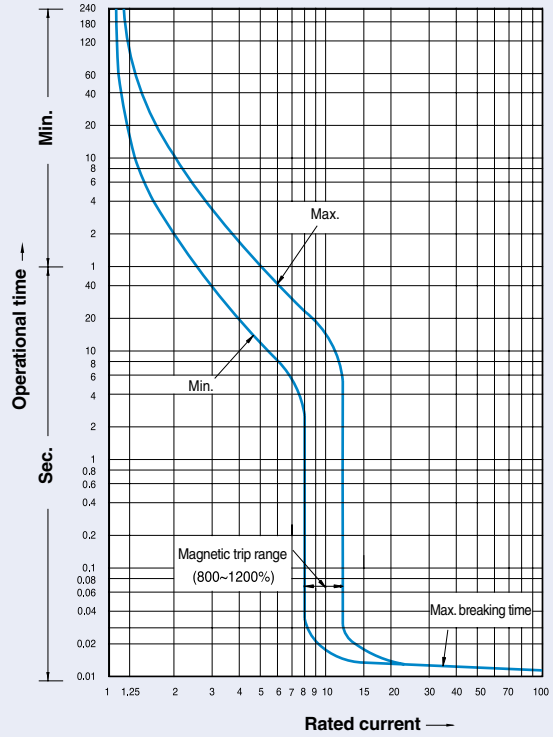
## Rated current: 250A



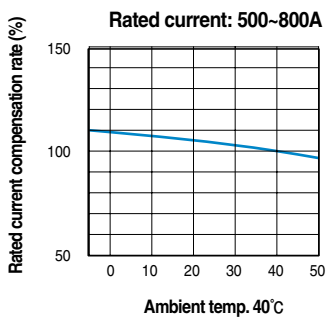
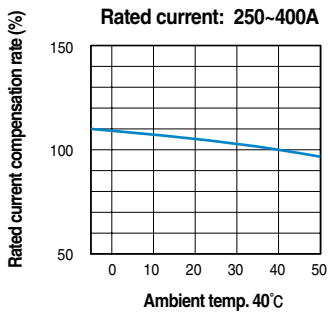
### Breaker types

MCCB
ABN400c, ABS400c, ABH400c, ABL400c
ABN800c, ABS800c, ABL800c
ELCB
EBN400c, EBS400c, EBH400c, EBL400c
EBN800c, EBS800c, EBL800c

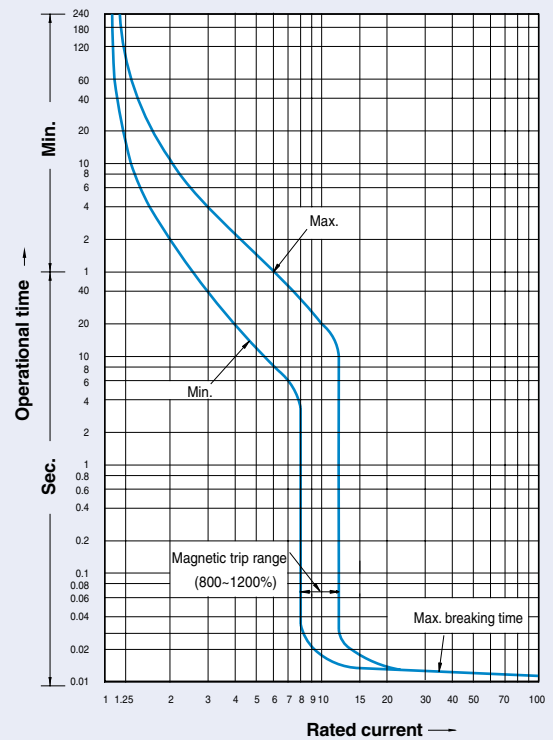
### Rated current: 250~400A



### Compensation curves



### Rated current: 500~800A

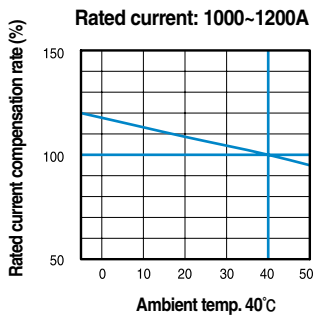


# Characteristics curves

## Breaker types

<b>MCCB</b>
ABS1000b, ABL1000b
ABS1200b, ABL1200b
<b>ELCB</b>
EBS1003b, EBS1203b

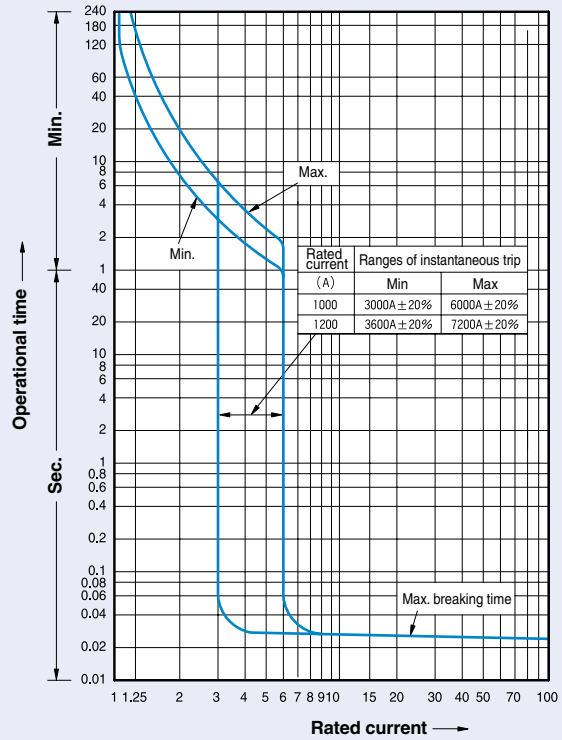
## Compensation curves



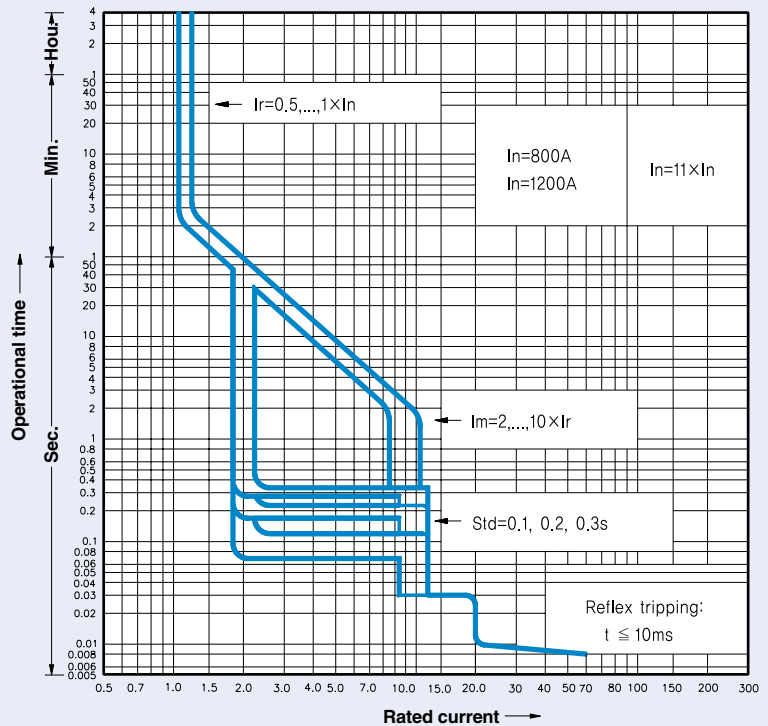
## Breaker types

<b>MCCB</b>
ABS1200bE

## Rated current: 1000~1200A



## Rated current: 1200A



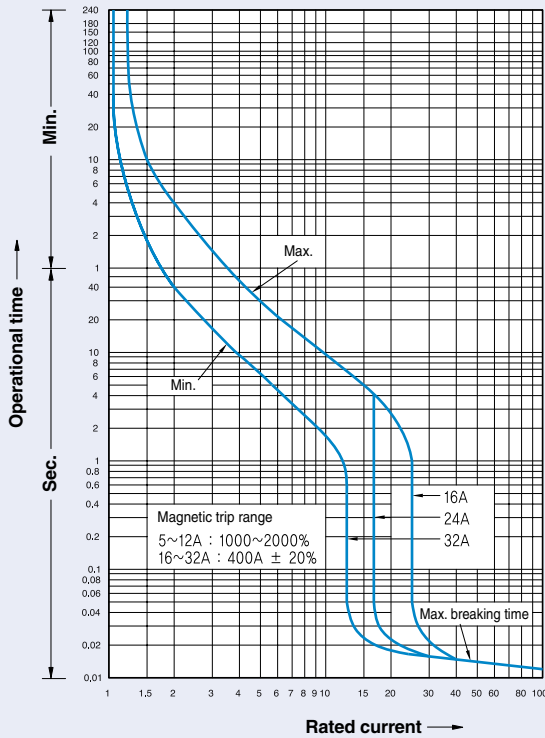
# Characteristics curves

## Motor Protection type

### Breaker types

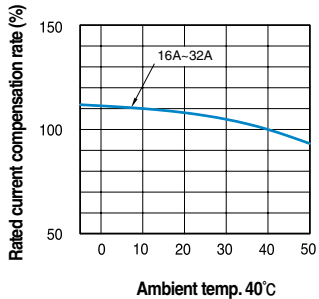
MCCB
ABN50cM/60cM/100cM/100dM
ABS30cM/50cM/60cM

### Rated current: 16~32A

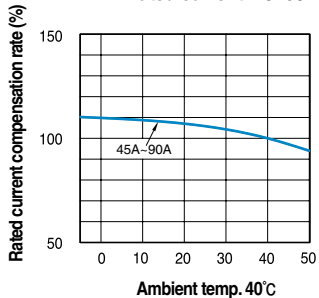


### Compensation curves

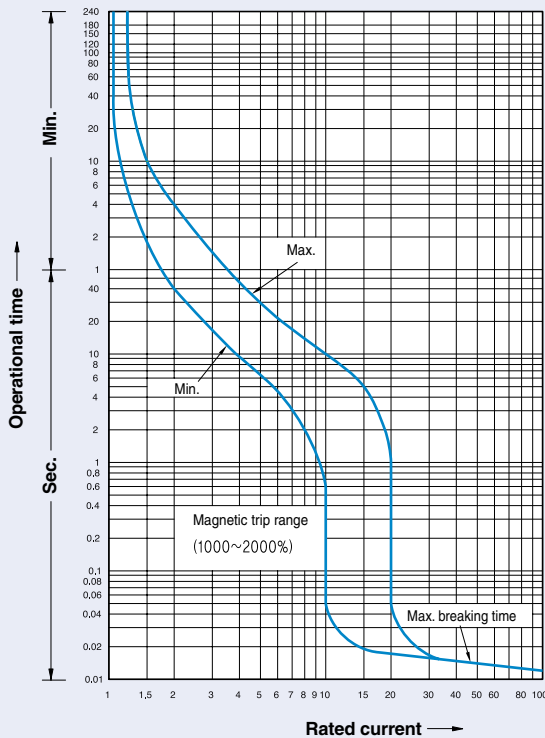
#### Rated current: 16~32A



#### Rated current: 45~90A



### Rated current: 45~90A



# Characteristics curves

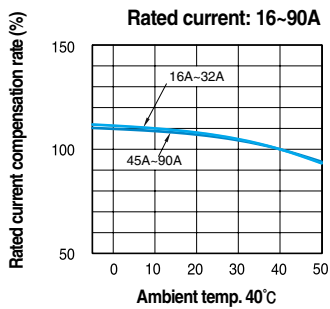
## Motor Protection type

Metasol

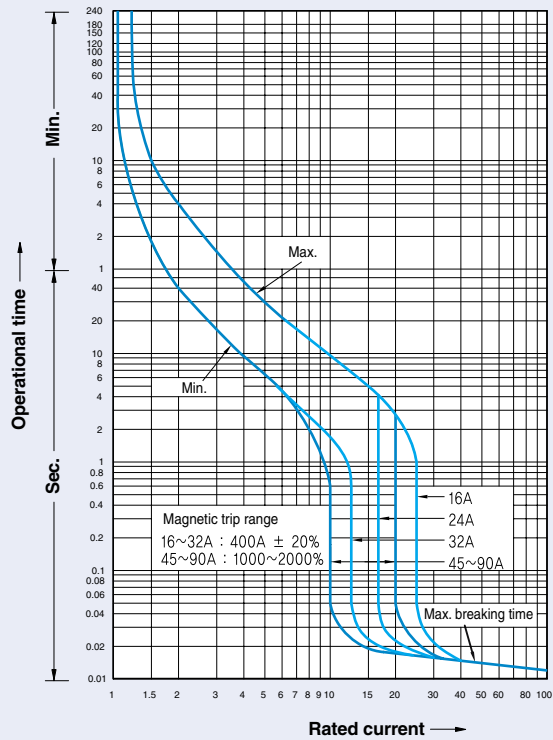
### Breaker types

MCCB
ABS125cM
ABH50cM/125cM

### Compensation curves



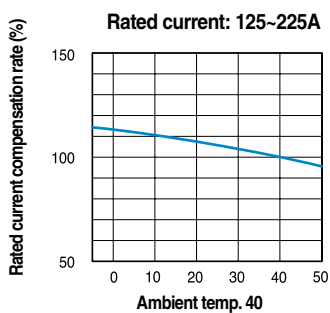
### Rated current: 16~90A



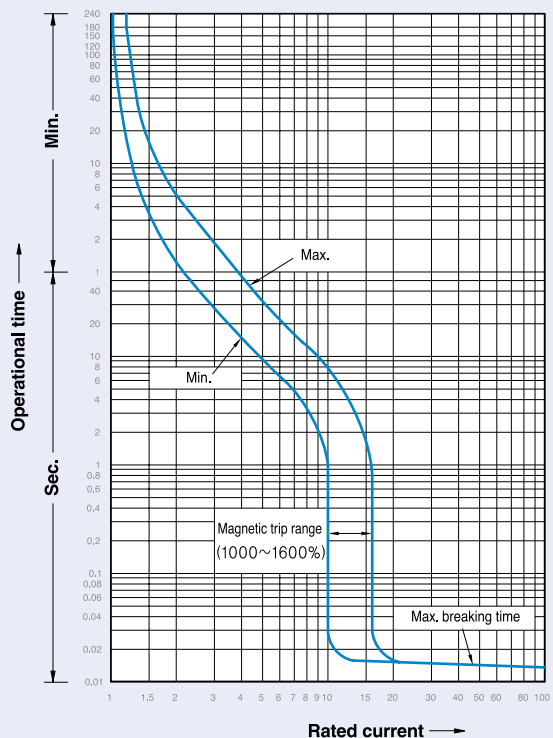
### Breaker types

MCCB
ABN250cM, ABS250cM
ABH250cM

### Compensation curves



### Rated current: 125~225A

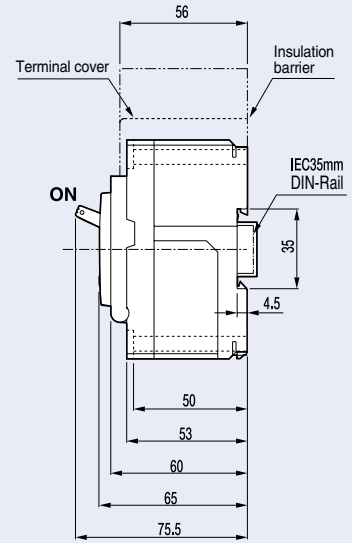
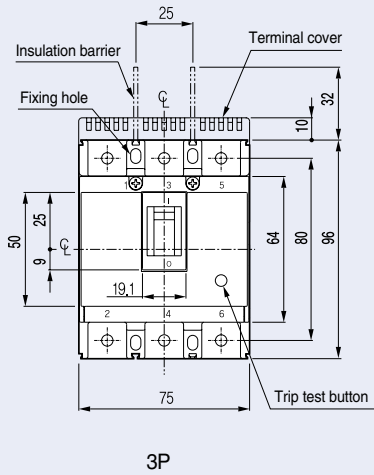
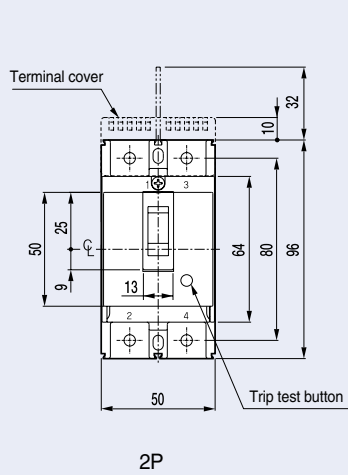




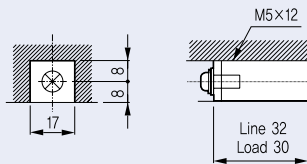
# Dimensions

## MCCB

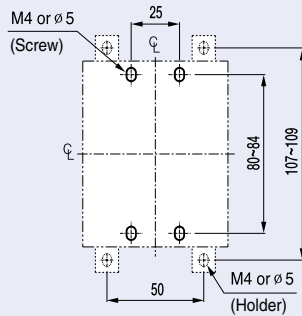
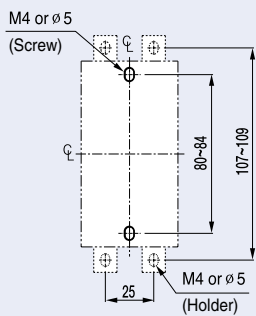
ABE30b



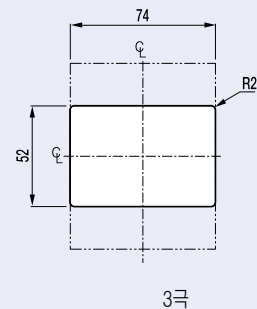
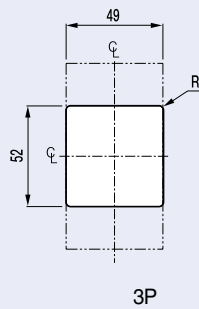
### Terminal details



### Panel drilling



### Front panel cutting

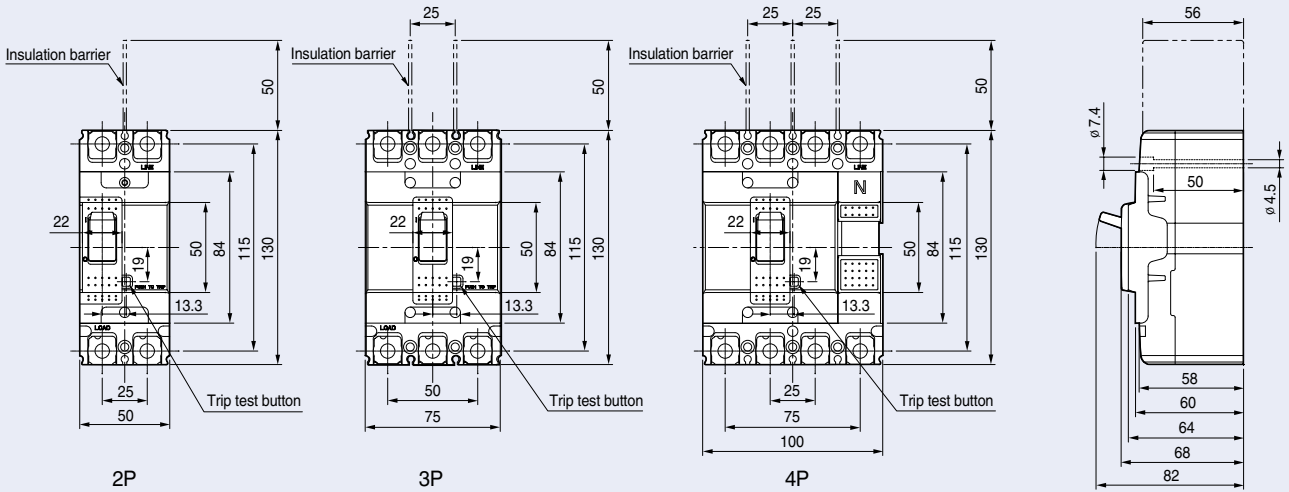


# Dimensions

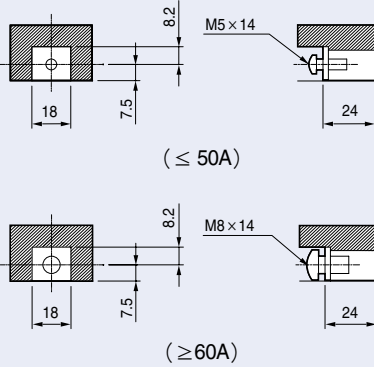
Metasol

## MCCB

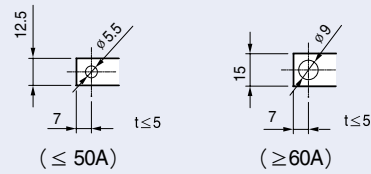
ABN50c	ABS30c
ABN60c	ABS50c
ABN100c/100d	ABS60c



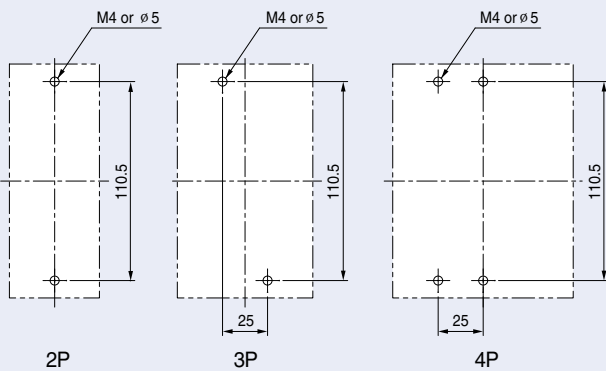
### Terminal details



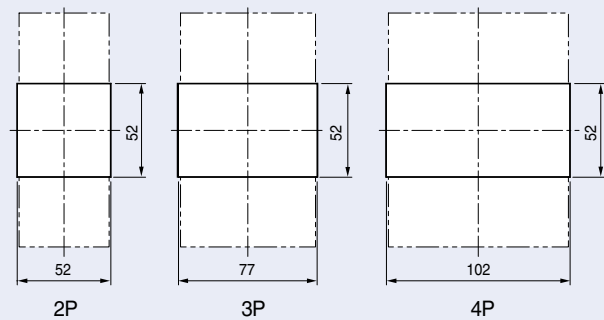
### Connecting



### Panel drilling



### Front panel cutting

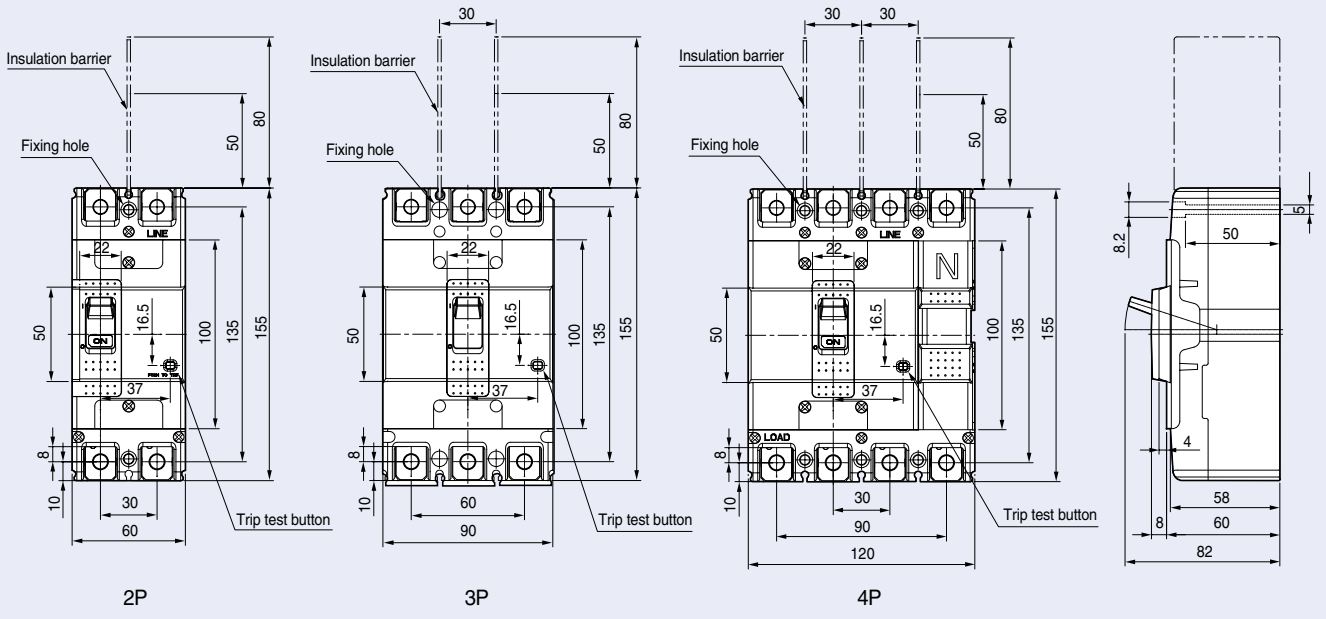


MCCB

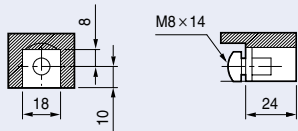
ABS125c

ABH50c

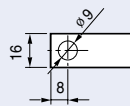
ABH125c



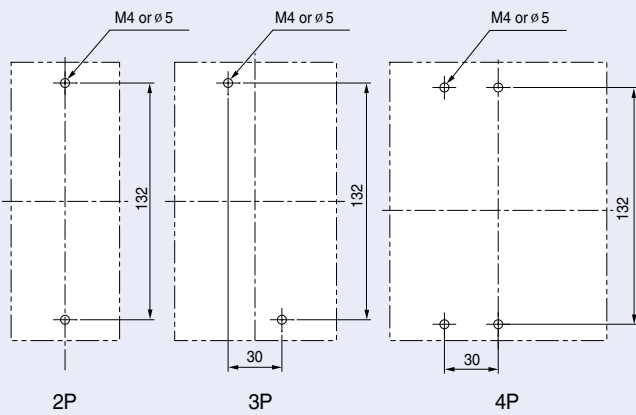
Terminal details



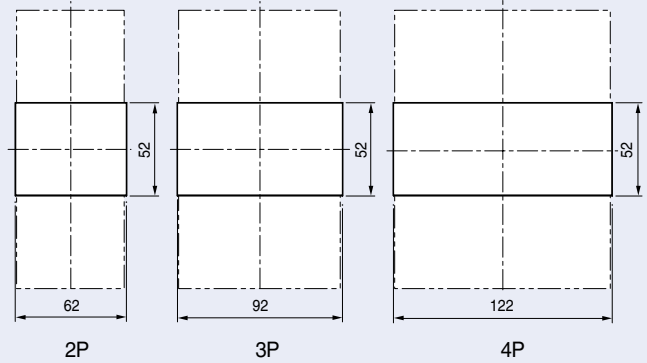
Connecting



Panel drilling



Front panel cutting



# Dimensions

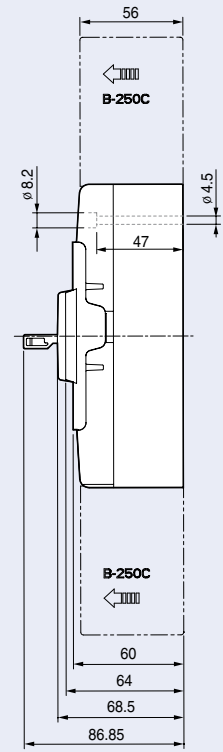
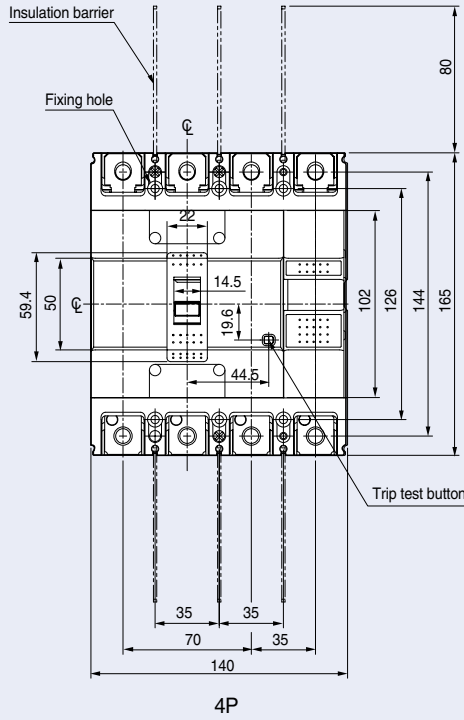
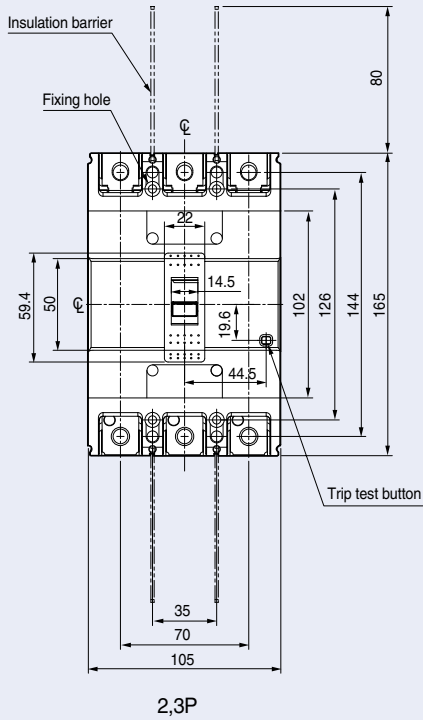
Metasol

## MCCB

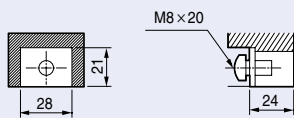
ABN250c

ABS250c

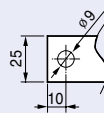
ABH250c



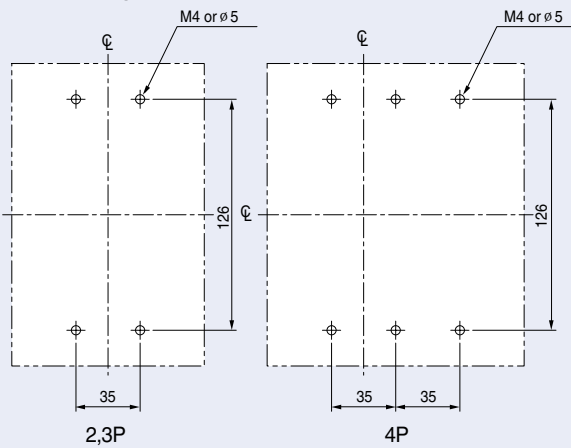
### Terminal details



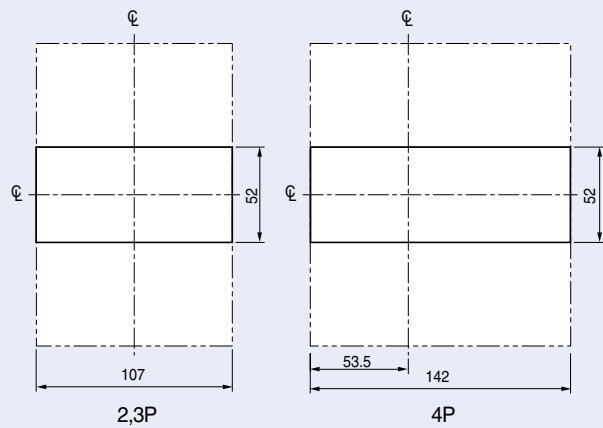
### Connecting



### Panel drilling

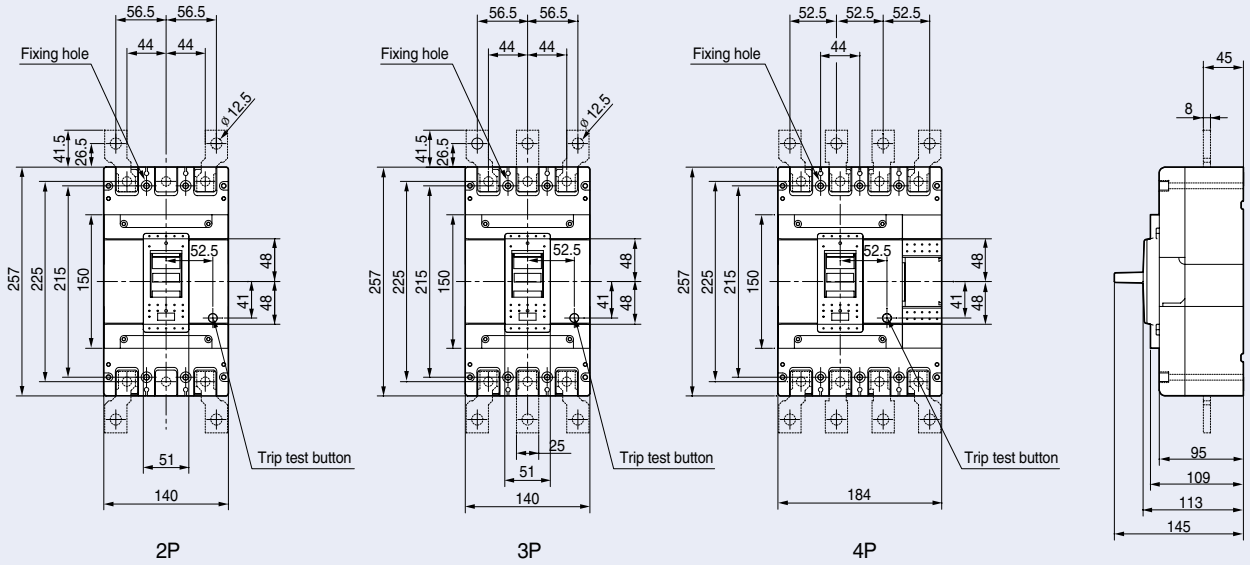


### Front panel cutting

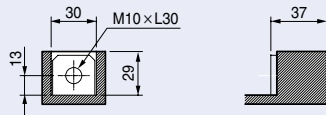


MCCB

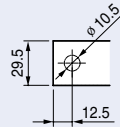
- ABN400c
- ABS400c
- ABH400c
- ABL400c



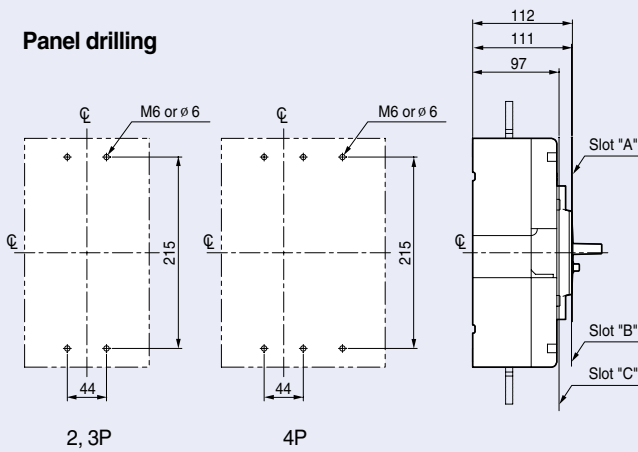
Terminal details



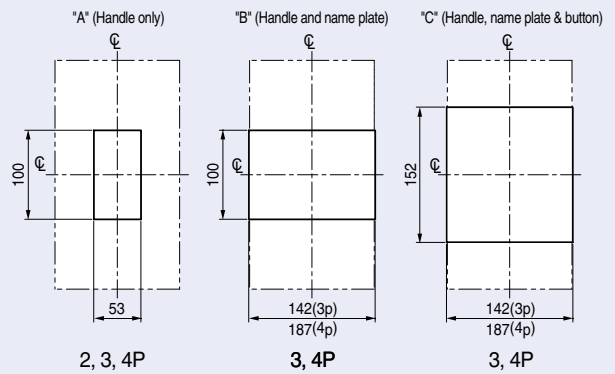
Connecting



Panel drilling



Front panel cutting



# Dimensions

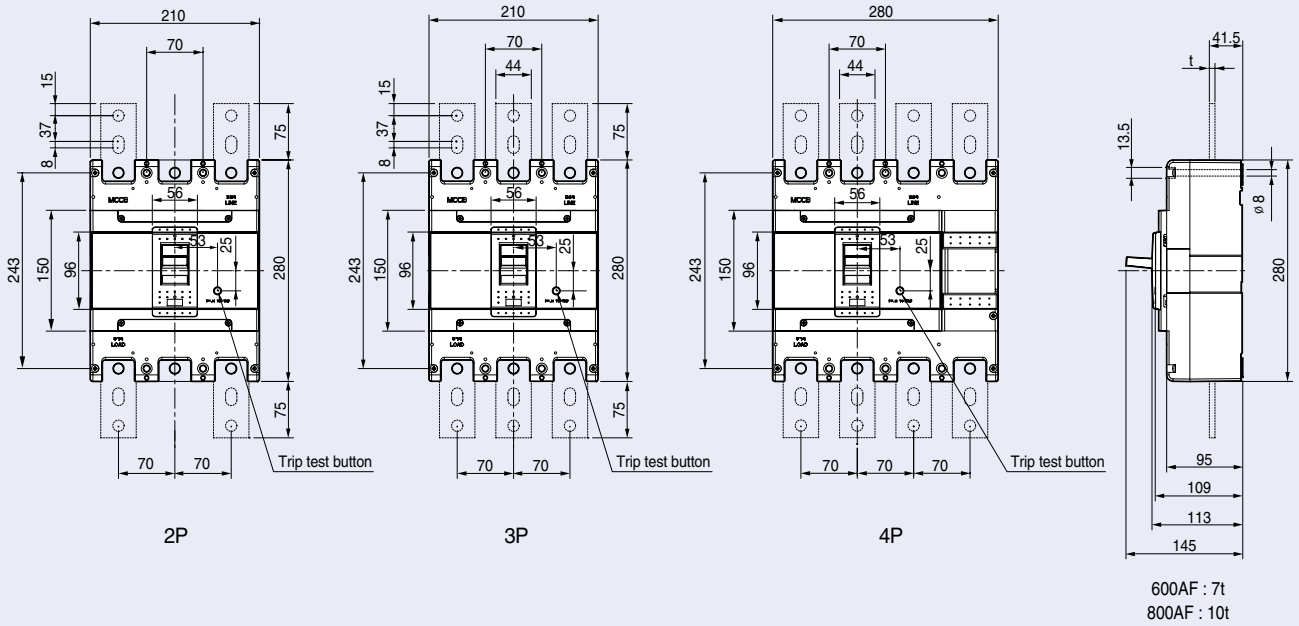
Metasol

## MCCB

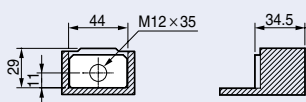
ABN800c

ABS800c

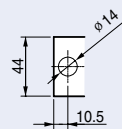
ABL800c



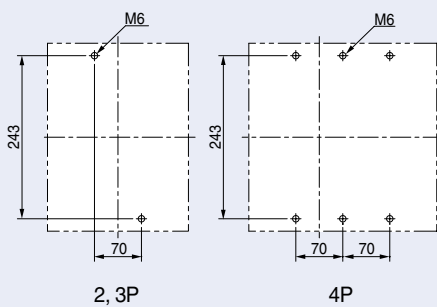
### Terminal details



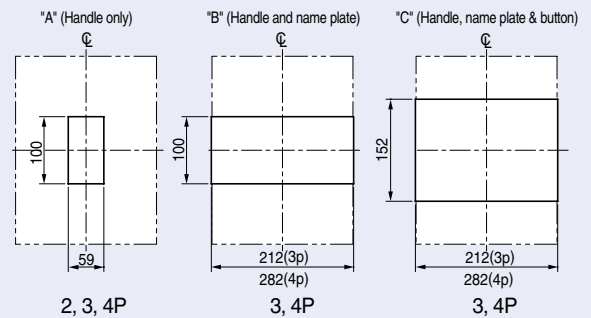
### Connecting



### Panel drilling

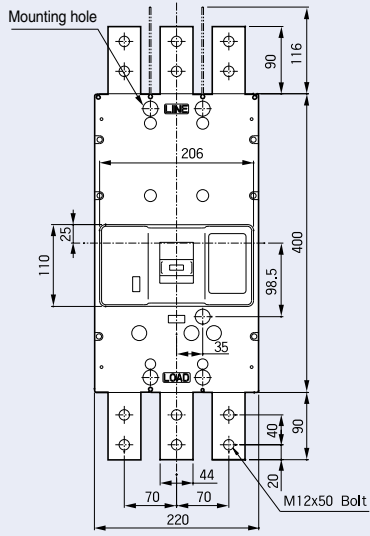


### Front panel cutting

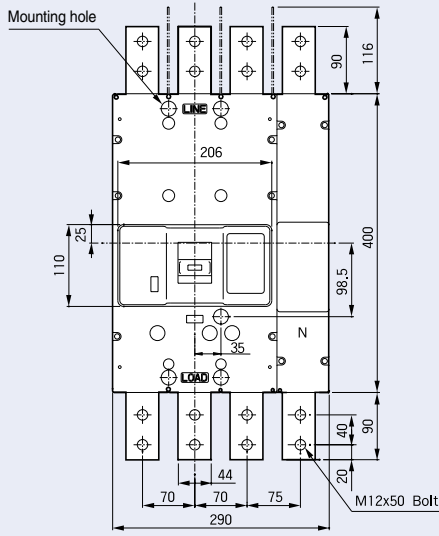


MCCB

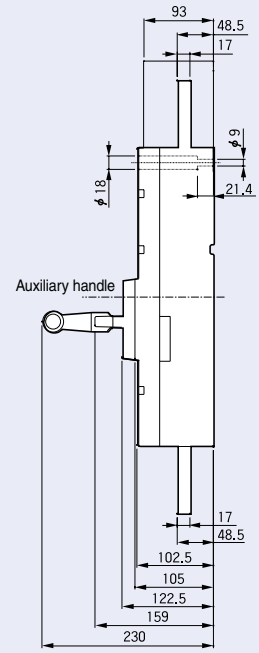
- ABS1000b
- ABL1000b
- ABS1200b
- ABL1200b



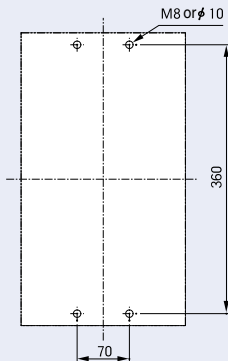
3P



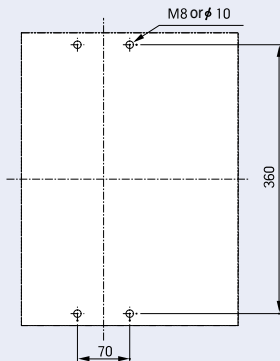
4P



Panel drilling

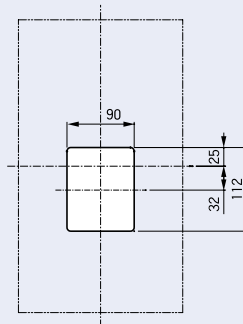


3P

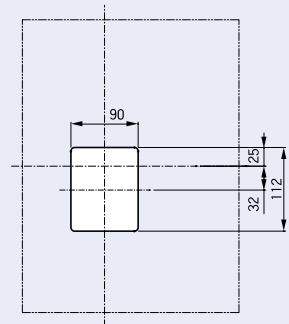


4P

Front panel cutting



3P



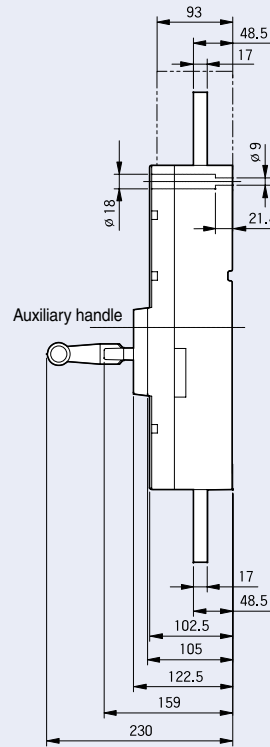
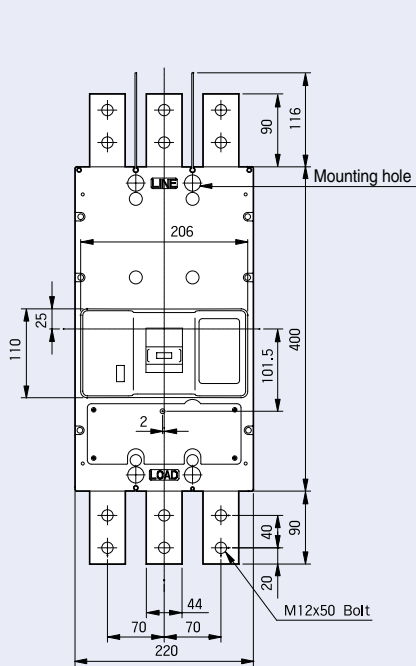
4P

# Dimensions

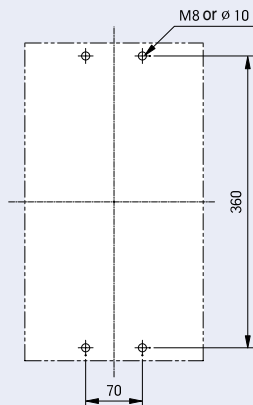
Metasol

## MCCB

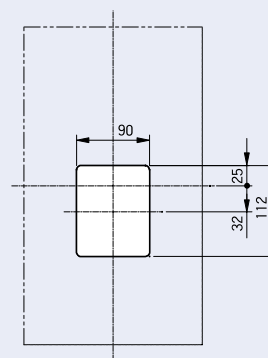
ABS1203bE



Panel drilling



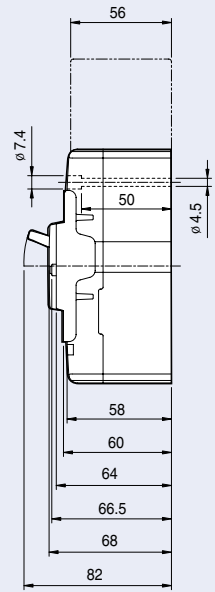
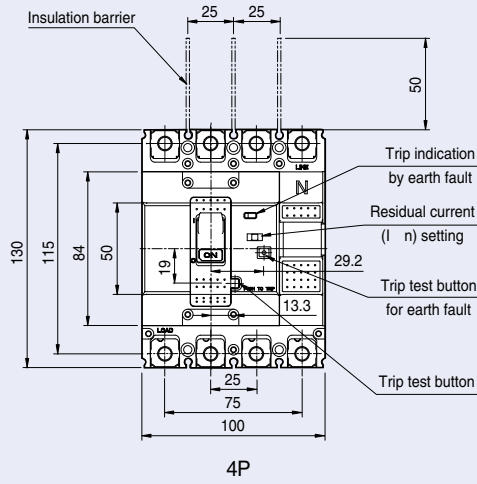
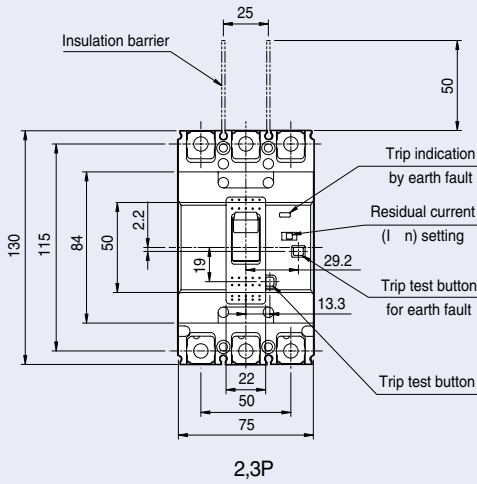
Front panel cutting



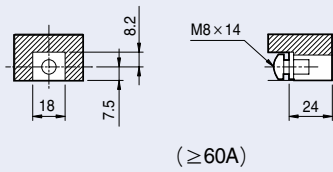
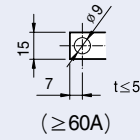
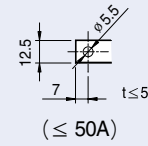
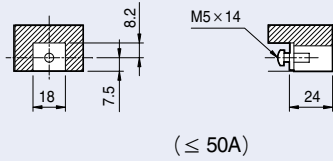


ELCB

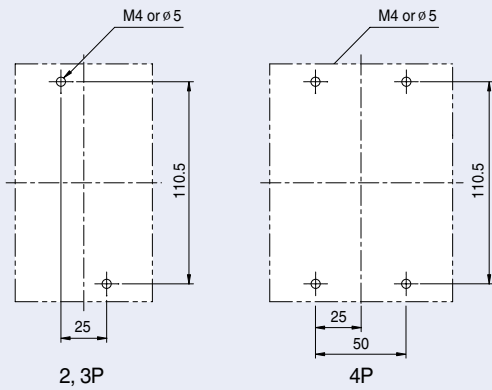
EBS30c	EBS50c
EBS60c	EBS100c



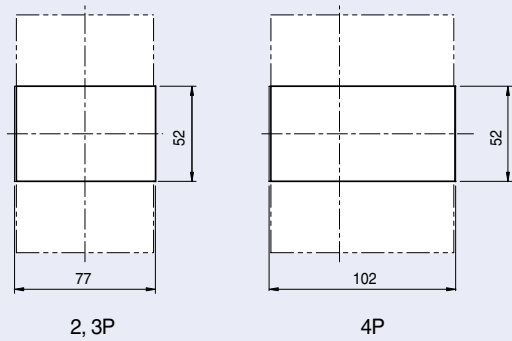
Terminal details



Panel drilling



Front panel cutting



# Dimensions

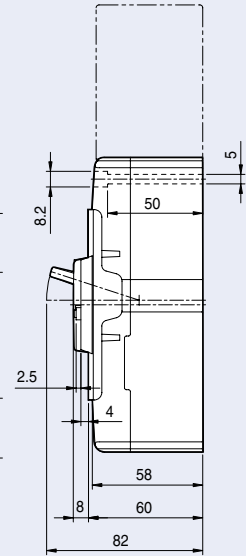
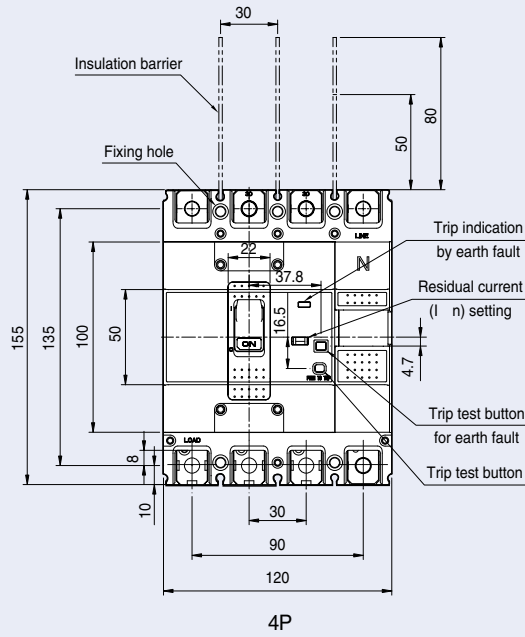
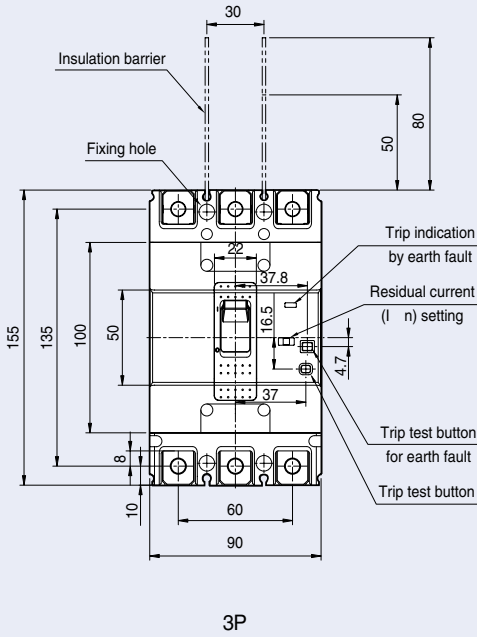
Metasol

## ELCB

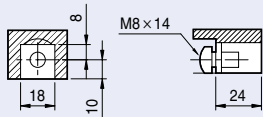
EBS125c

EBH50c

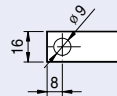
EBH125c



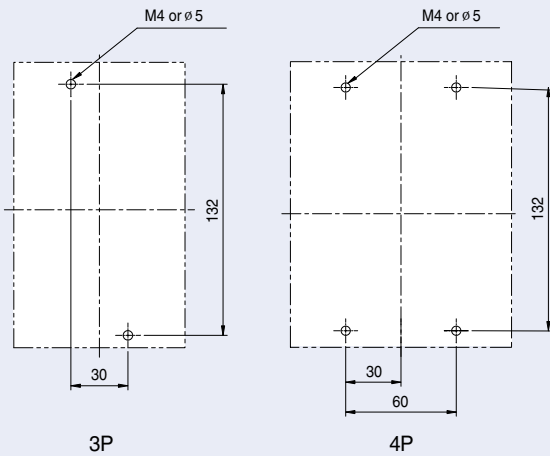
### Terminal details



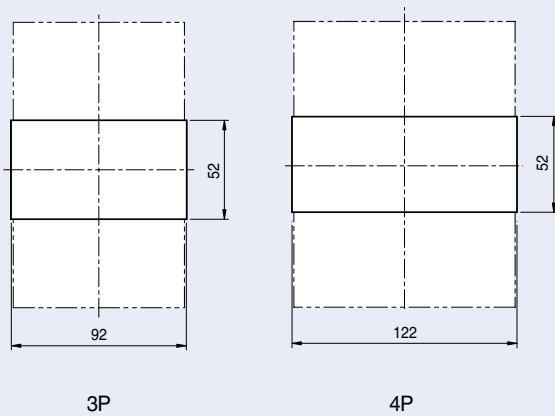
### Connecting



### Panel drilling

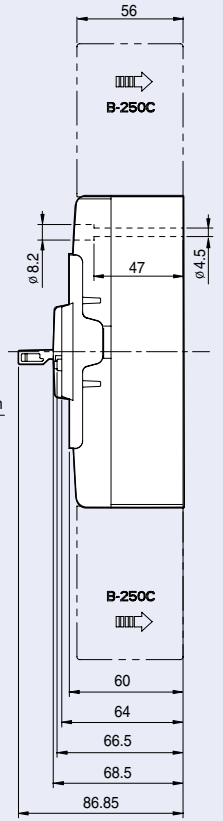
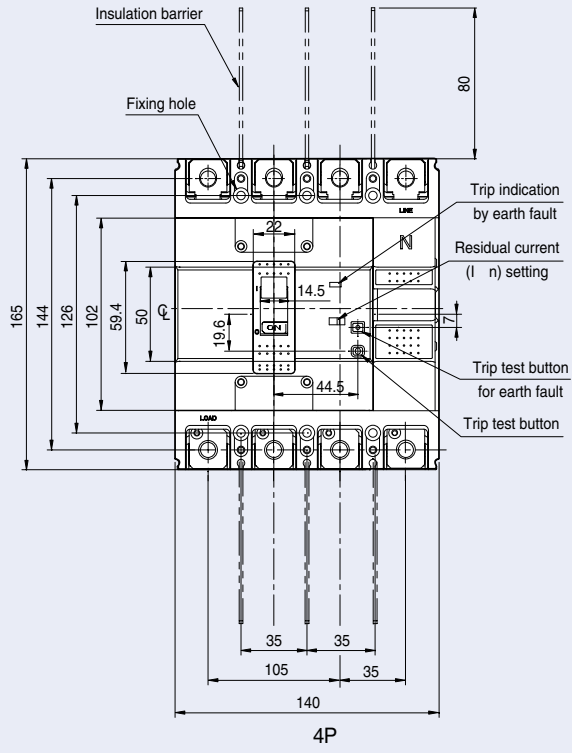
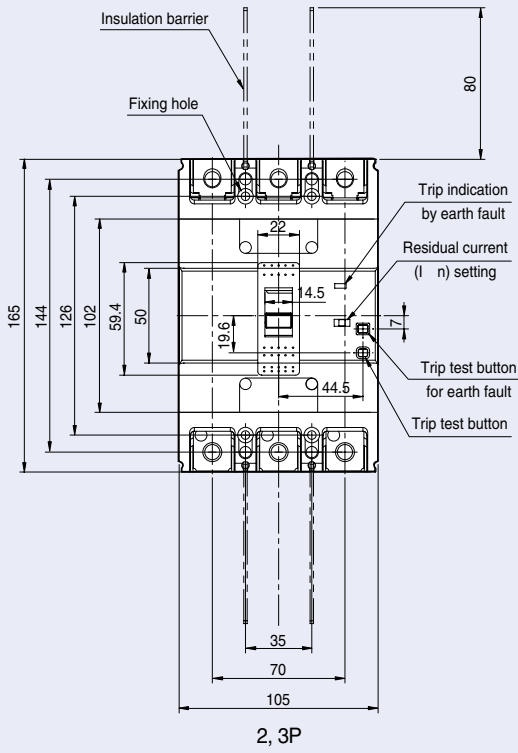


### Front panel cutting

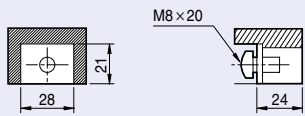


ELCB

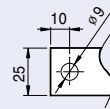
- EBN250c
- EBS250c
- EBH250c



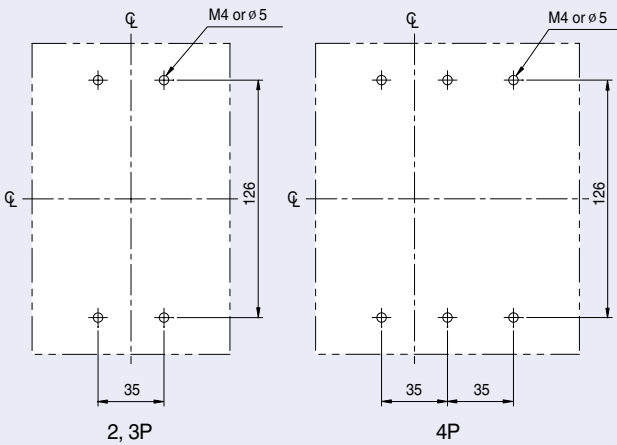
Terminal details



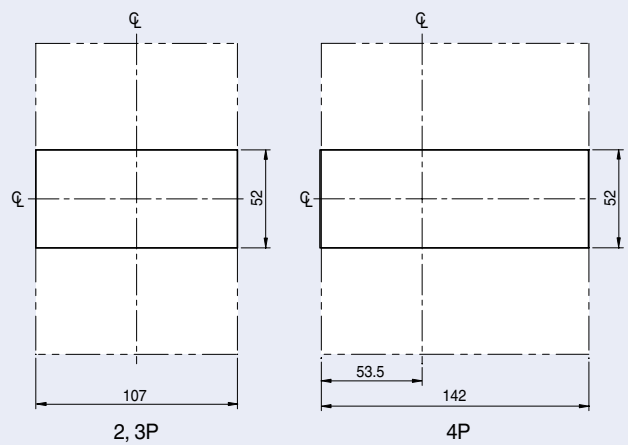
Connecting



Panel drilling



Front panel cutting

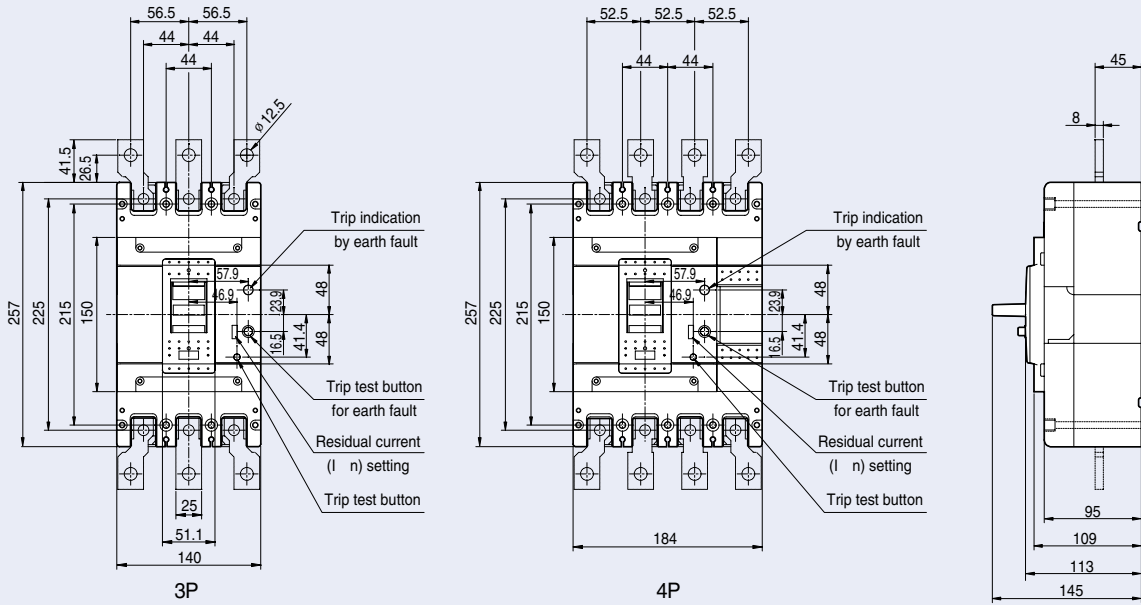


# Dimensions

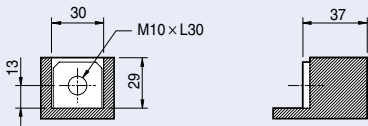
Metasol

## ELCB

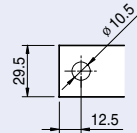
- EBN400c
- EBS400c
- EBH400c
- EBL400c



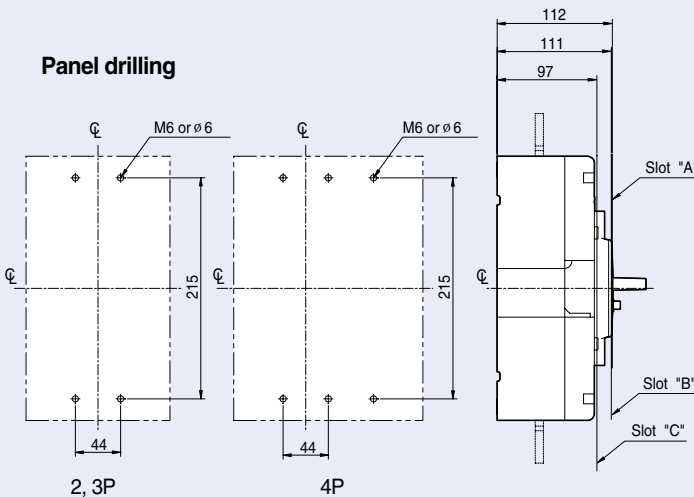
### Terminal details



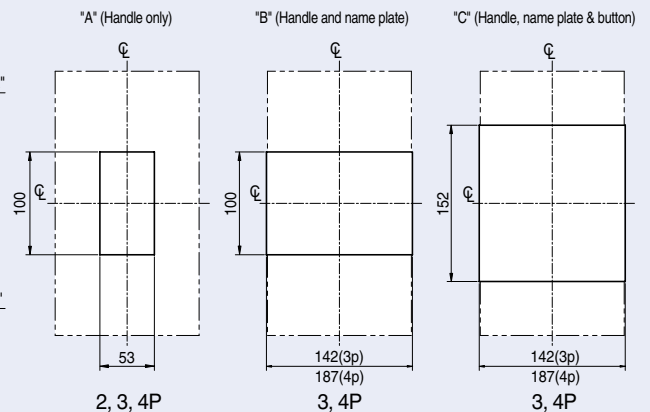
### Connecting



### Panel drilling

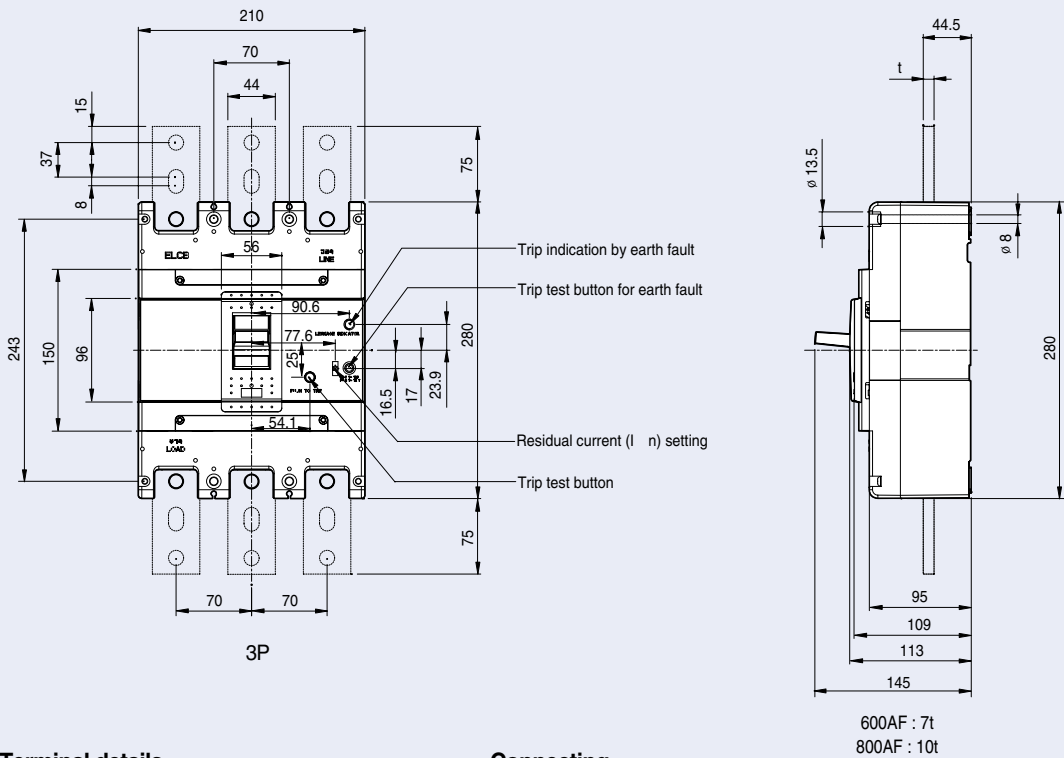


### Front panel cutting

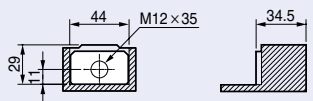


ELCB

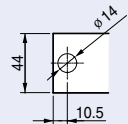
EBN800c    EBS800c    EBL800c



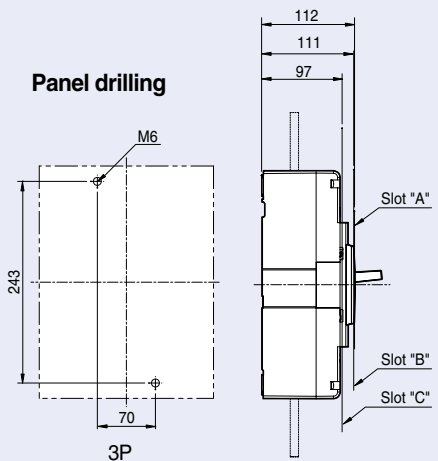
Terminal details



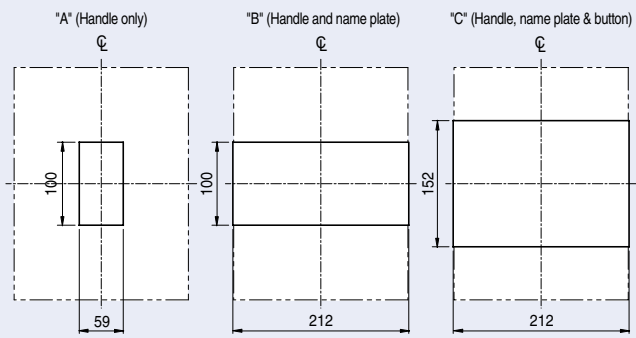
Connecting



Panel drilling



Front panel cutting



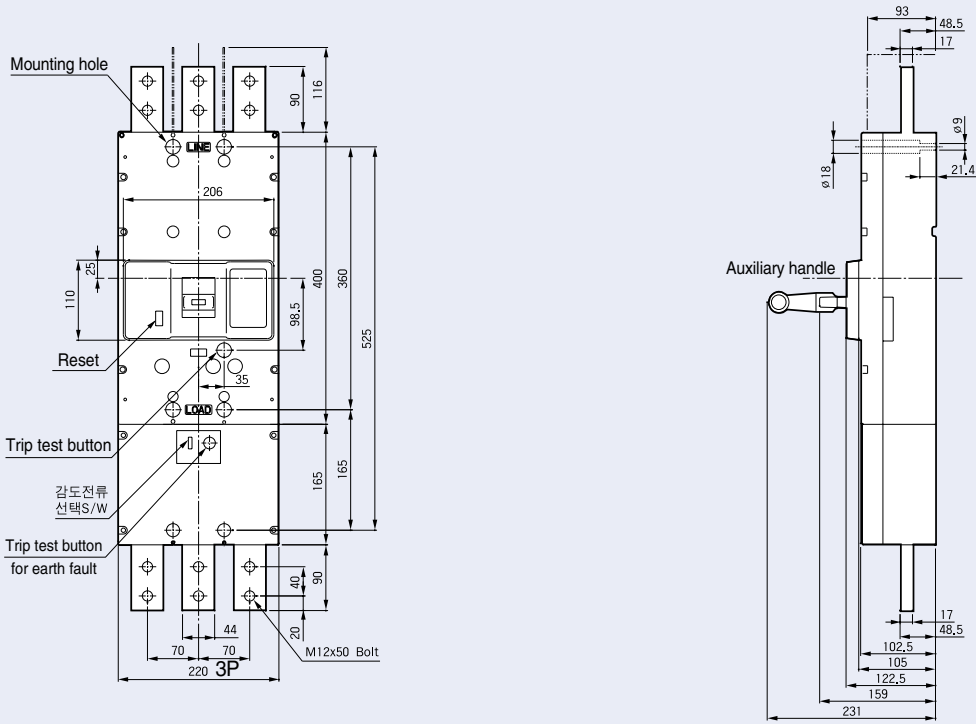
# Dimensions

Metasol

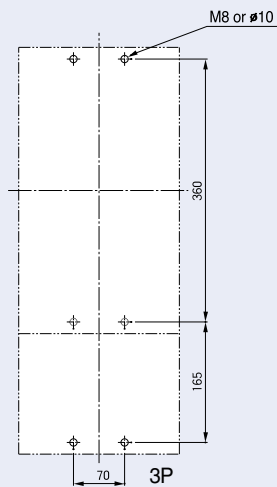
## ELCB

EBS1000b

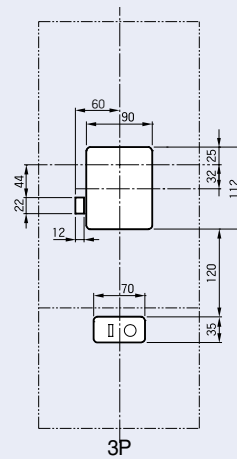
EBS1200b



Panel drilling

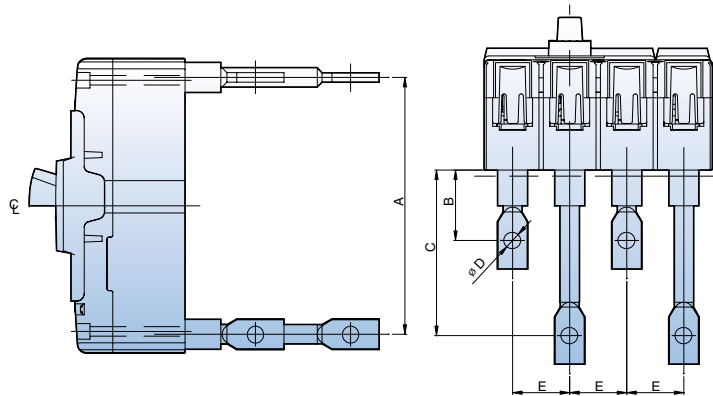


Front panel cutting



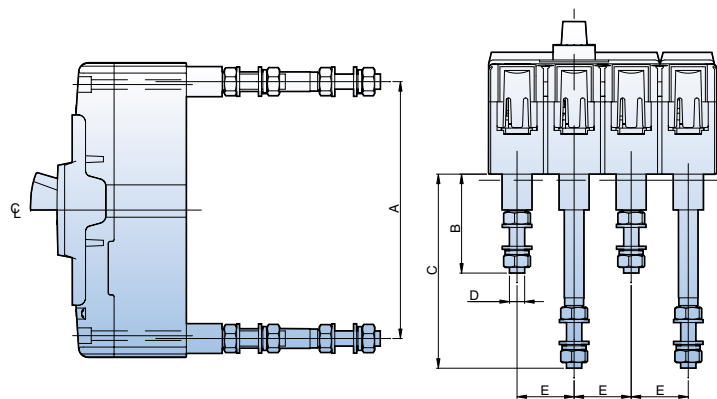
## Rear connection terminals

### Bar type



MCCB	A	B	C	D	E
ABN100c	115	37	87	∅ 8.5	25
ABH125c	135	37	87	∅ 8.5	30
ABH250c	144	57.5	93.5	∅ 8.5	35
ABS400c	225	72	-	∅ 14	44
ABS800c	243	108.7	-	∅ 14	70

### Round type



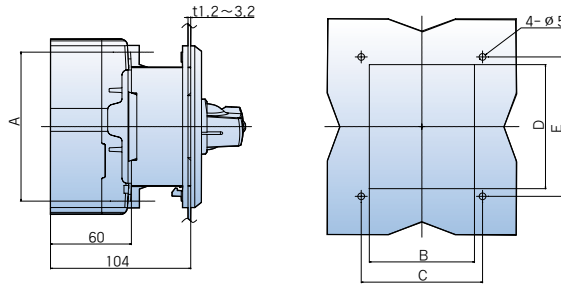
MCCB	A	B	C	D	E
ABN100c 50AF	115	42	92	M6	25
ABN100c 100AF	115	52	102	M8	25
ABH125c	135	52	102	M8	30
ABH250c	144	70	106	M8	35

# Dimensions

Metasol

## Rotary handles

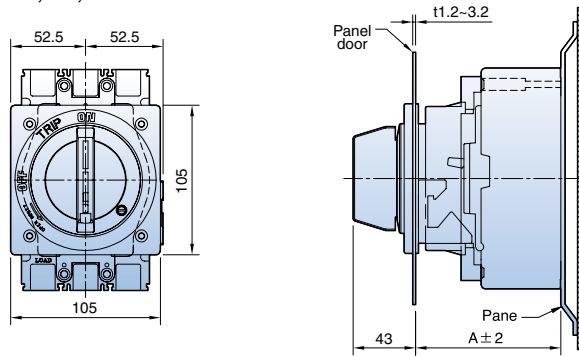
### Direct mounting type (D-Handle, 30~250AF)



Type	A (mm)	B (mm)	C (mm)	D (mm)	E (mm)	Remarks
DH100	110.5	78	90	92	103.4	100AF
DH125	132	94	105	108	120	125AF
DH250	126	108	121	110	122	250AF

### Direct mounting type (N-Handle, 30~250AF)

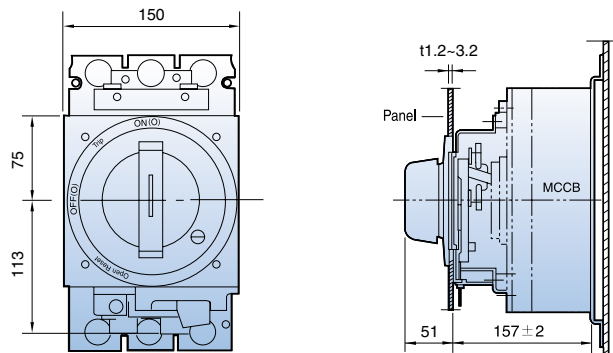
N-30c, 40c, 50c



N-Handle	N-30c	N-40c	N-50c
A (mm)	103	103	103

### Direct mounting type (N-Handle, 400~800AF)

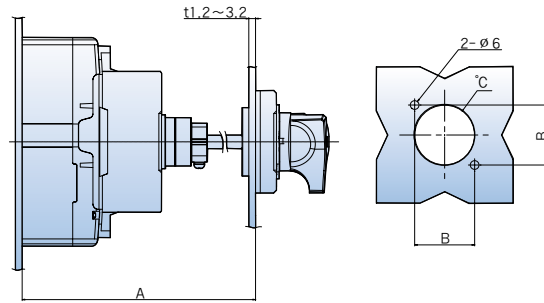
E-70, N-80





## Rotary handles

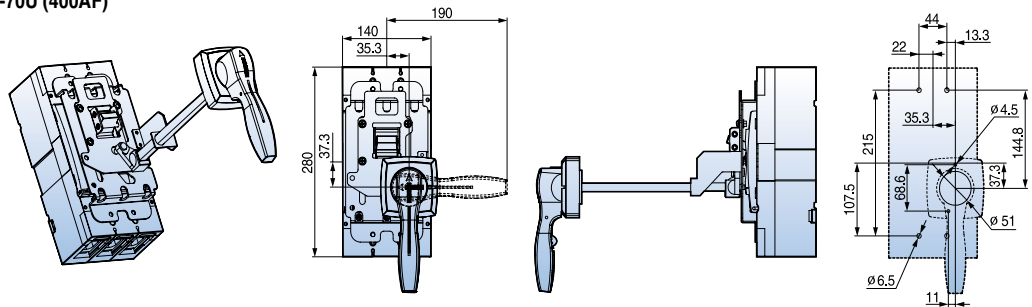
### Extended mounting type (E-Handle) (30~250AF)



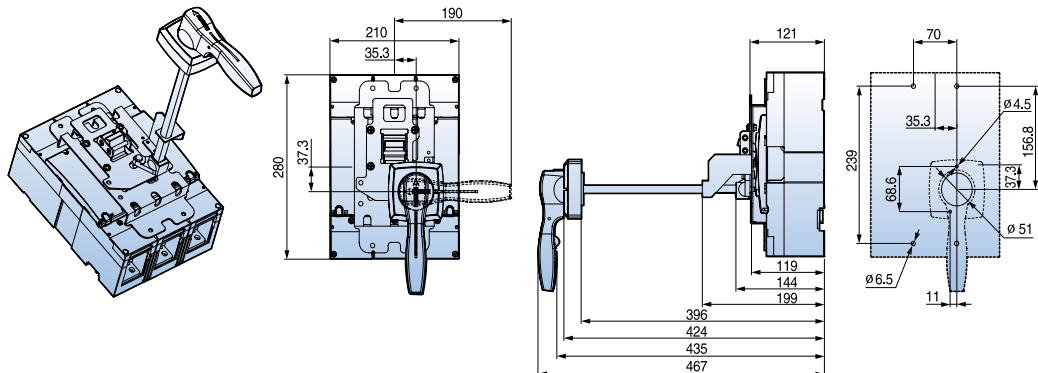
Type	A (mm)	B (mm)	C (mm)	Remarks
EH100	min 150, max 573.5 (SHAFT469mm)	47	ø 53	100AF
EH125	min 150, max 573.5 (SHAFT469mm)	47	ø 53	125AF
EH250	min 150, max 571.5 (SHAFT469mm)	47	ø 53	250AF

### Extended mounting type (N-Handle, 400~800AF)

#### E-70U (400AF)



#### E-80U (800AF)


















# Technical Information

Metasol

## Standard accessories

The following accessories for mounting, connection and insulation are standard items and are packed with Metasol series circuit breakers.

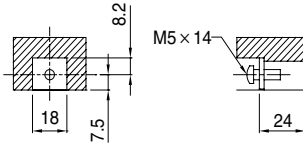
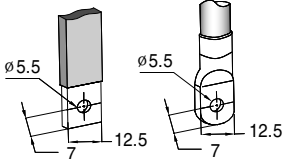
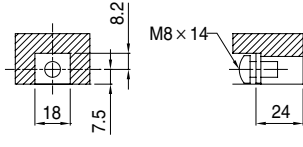
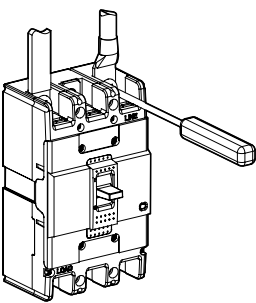
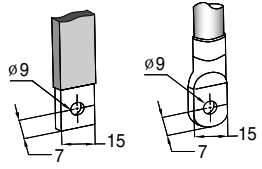
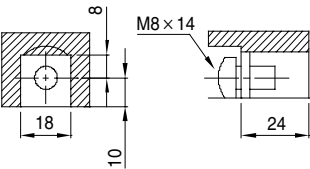
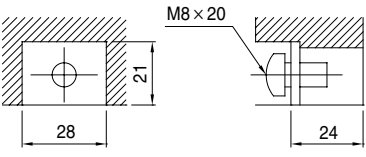
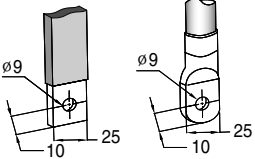
Item	ABN100c	ABH125c	ABH250c	400AF	630/800AF
Fixing screw					
	2P: 2EA (M4 × 60) 3P: 2EA (M4 × 60) 4P: 4EA (M4 × 60)	2P: 2EA (M4 × 60) 3P: 2EA (M4 × 60) 4P: 4EA (M4 × 60)	2P: 2EA (M4 × 55) 3P: 4EA (M4 × 55) 4P: 4EA (M4 × 55)	2P: 2EA (M6 × 100) 3P: 4EA (M6 × 100) 4P: 4EA (M6 × 100)	2P: 2EA (M6 × 100) 3P: 4EA (M6 × 100) 4P: 4EA (M6 × 100)
Terminal bolt					
	<b>15~30A</b> 2P: 4EA (M5 × 14) 3P: 6EA (M5 × 14) 4P: 8EA (M5 × 14) <b>40~100A</b> 2P: 4EA (M8 × 14) 3P: 6EA (M8 × 14) 4P: 8EA (M8 × 14)	2P: 4EA (M8 × 14) 3P: 6EA (M8 × 14) 4P: 8EA (M8 × 14)	2P: 4EA (M8 × 20) 3P: 6EA (M8 × 20) 4P: 8EA (M8 × 20)	2P: 4EA (M10 × 30) 3P: 6EA (M10 × 30) 4P: 8EA (M10 × 30)	2P: 2EA (M12 × 35) 3P: 6EA (M12 × 35) 4P: 8EA (M12 × 35)
Insulation barrier					
	2P: 1EA 3P: 2EA 4P: 3EA	2P: 1EA 3P: 2EA 4P: 3EA	2P: 1EA 3P: 2EA 4P: 3EA	2P: 1EA 3P: 2EA 4P: 3EA	2P: 1EA 3P: 2EA 4P: 3EA

## 외부조작핸들 형식 및 부착나사

핸들형식	N-30c	N-40c	N-50c	N-70	N-80
적용 MCCB	ABN 50c/60c/100c ABS 30c/50c/60c	ABS 125c ABH 50c ABH 125c	ABN 250c ABS 250c ABH 250c	ABN 400c ABS 400c ABH 400c ABL 400c	ABN 630c/800c ABS 630c/800c ABL 630c/800c
적용 ELCB	EBN 50c/60c/100c EBS 30c/50c/60c	EBS 125c EBH 50c EBH 125c	EBN 250c EBS 250c EBH 250c	EBN 400c EBS 400c EBH 400c EBL 400c	EBN 630c/800c EBS 630c/800c EBL 630c/800c
고정용 나사	-	-	-	M6 × 16	M6 × 16
부착 나사	M4 × 85	M4 × 85	M4 × 85	M6 × 110	M6 × 110
핸들형식	DH/EH100	DH/EH125	DH/EH250		
부착 나사	M4 × 70	M4 × 70	M4 × 70		

# Technical Information

## Connection

MCCB	Terminal (mm)	Tightening torque (kgf · cm)	Conductor (mm)
ABN100c	[3~30A] 	M5 : 23 ~ 28 M8 : 55 ~ 75	[5~30A] 
	[40~100A] 		[60~100A] 
ABH125c			M8 : 55 ~ 75
ABH250c		M8 : 80 ~ 130	

# Technical Information

## Connection

MCCB	Terminal (mm)	Tightening torque (kgf · cm)	Conductor (mm)
400AF		M10 : 240~300 (Terminal) M10 : 240~300 (Busbar)	
800AF		M12 : 400~500 (Terminal, Busbar)	

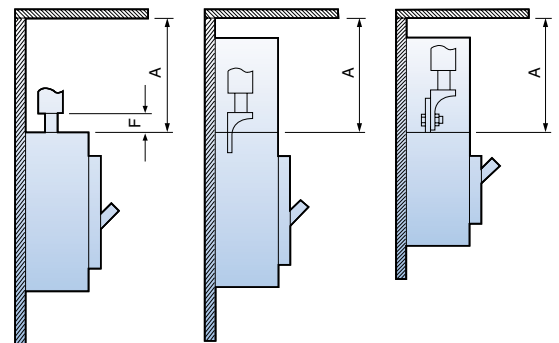
## Safety clearance

When installing a circuit breaker, safety clearances must be kept between the breaker and panels, bars and other protection devices installed nearby. These safety clearances are depend on the ultimate breaking capacity and are defined by tests carried out in accordance with standard IEC 60947-2.

When a short circuit interruption occur, high temperatures pressures are present in and above the arc chambers of the circuit-breaker. In order to allow the pressure to be distributed and to prevent fire and arcing or short-circuit currents, safety clearances are required.

### A: Minimum distance to metallic top panels

Frame size	Description	A(mm)	
		460V	250V
100AF	ABN50c	40	25
	ABN60c	40	25
	ABN100c	50	30
	ABS30c	30	25
	ABS50c	40	30
	ABS60c	40	30
125AF	ABS125c	50	40
	ABH50c	50	40
	ABH125c	100	80
250AF	ABN250c	100	80
	ABS250c	100	80
	ABH250c	100	80
400AF	ABN400c	100	80
	ABS400c	100	80
	ABH400c	100	80
	ABL400c	100	80
800AF	ABN800c	100	80
	ABS800c	100	80
	ABL800c	100	80



# Technical Information

Metasol

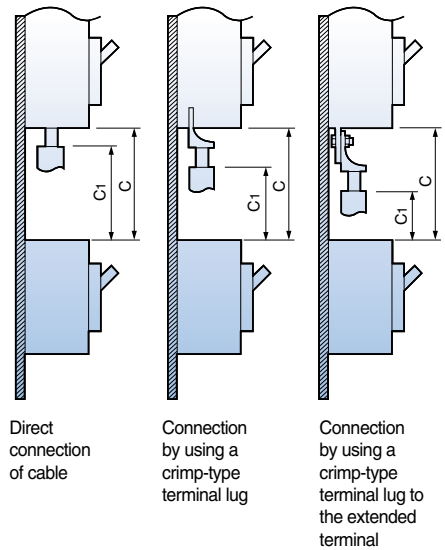
## Safety clearance

### B: Minimum distance between the lower and the upper breakers

- C1: Minimum distance between the lower breaker and the bare terminal of the upper breaker
- C: C1+ the dimension of bare part of conductor

Frame size	Description	C1 (mm)		C (mm)
		460V	250V	
100AF	ABN50c	40	25	
	ABN60c	40	25	
	ABN100c	50	30	
	ABS30c	30	25	
	ABS50c	40	30	
	ABS60c	40	30	
125AF	ABS125c	50	40	
	ABH50c	50	40	
250AF	ABH125c	100	80	
	ABN250c	100	80	
	ABS250c	100	80	
400AF	ABH250c	100	80	
	ABN400c	100	80	
	ABS400c	100	80	
	ABH400c	100	80	
800AF	ABL400c	100	80	
	ABN800c	100	80	
	ABS800c	100	80	
	ABL800c	100	80	

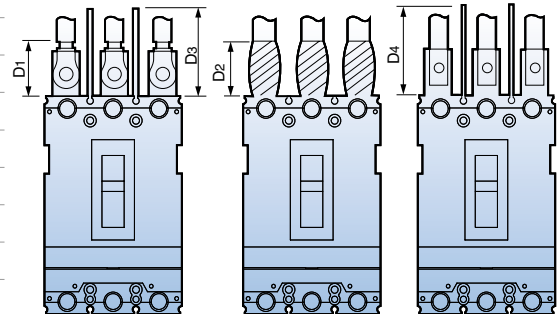
The dimension of bare conduct + C1



### Insulated length of main terminal of circuit breaker

- D1: Connection by solderless terminal with taping
- D2: Connection by busbar with taping
- D3: Connection by solderless terminal and using insulation barrier
- D4: Connection by busbar and using insulation barrier

Frame size	Description	D1 (mm)	D2 (mm)	D3 (mm)	D4 (mm)
100AF	ABN50c	The dimension of bare conduct + 20	40	The dimension of bare conduct + 20	40
	ABN60c		40		40
	ABN100c		50		50
	ABS30c		30		30
	ABS50c		40		40
	ABS60c		40		40
125AF	ABS125c		50		50
	ABH50c		50		50
	ABH125c		50		50
250AF	ABN250c		50		50
	ABS250c		50		50
	ABH250c		50		50
400AF	ABN400c	100	100		
	ABS400c	100	100		
	ABH400c	100	100		
	ABL400c	100	100		
800AF	ABN800c	150	150		
	ABS800c	150	150		
	ABL800c	150	150		

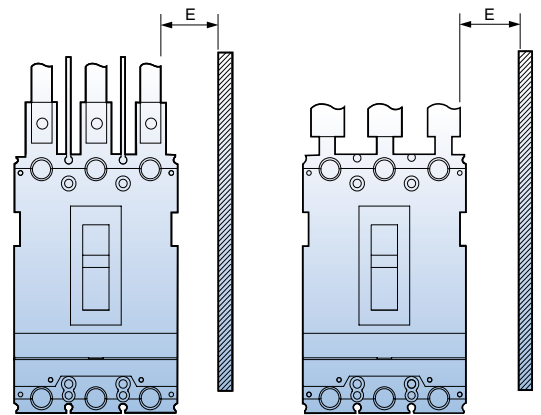


# Technical Information

## Safety clearance

### Minimum distance to metallic side panels

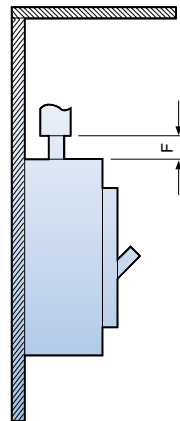
Frame size	Description	E(mm)	
		460V	250V
100AF	ABN50c	25	15
	ABN60c	25	15
	ABN100c	25	15
	ABS30c	20	15
	ABS50c	25	15
	ABS60c	25	15
125AF	ABS125c	25	15
	ABH50c	25	15
	ABH125c	50	20
250AF	ABN250c	50	15
	ABS250c	50	15
	ABH250c	50	15
400AF	ABN400c	80	40
	ABS400c	80	40
	ABH400c	80	40
	ABL400c	80	40
800AF	ABN800c	80	40
	ABS800c	80	40
	ABL800c	80	40





### Distance of bare cables or busbars

Frame size	Description	F(mm)
100AF	ABN50c	10
	ABN60c	10
	ABN100c	-
	ABS30c	5
	ABS50c	10
	ABS60c	10
125AF	ABS125c	-
	ABH50c	10
	ABH125c	20
250AF	ABN250c	-
	ABS250c	-
	ABH250c	-
400AF	ABN400c	10
	ABS400c	10
	ABH400c	10
	ABL400c	10
800AF	ABN800c	10
	ABS800c	10
	ABL800c	10



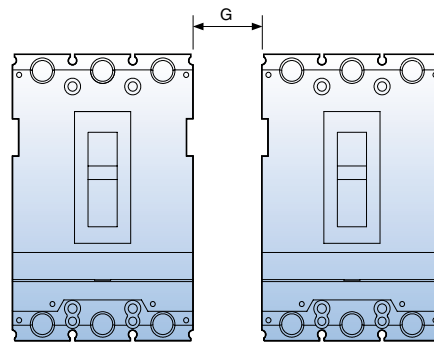
# Technical Information

Metasol

## Safety clearance

### Minimal distance between two adjacent breakers (With terminal covers)

Frame size	Description	G(mm)
100AF	ABN50c	0
	ABN60c	0
	ABN100c	0
	ABS30c	0
	ABS50c	0
	ABS60c	0
125AF	ABS125c	0
	ABH50c	0
	ABH125c	0
250AF	ABN250c	0
	ABS250c	0
	ABH250c	0
400AF	ABN400c	0
	ABS400c	0
	ABH400c	0
	ABL400c	0
800AF	ABN800c	0
	ABS800c	0
	ABL800c	0



## Standards & Approval

Metasol series circuit breakers and auxiliaries comply with the following international standard:

- IEC 60947-1  
Low-voltage switchgear and controlgear - Part 1: General rules
- IEC 60947-2  
Low-voltage switchgear and controlgear - Part 2: Circuit-breakers

The following certificates are available on a request.


- CE Declaration of conformity
- Certificate of conformance test (CB) - IEC 60947
- Full type test report issued by KEMA

### CE conformity marking

The CE conformity marking shall indicate conformity to all the obligations imposed on the manufacturer, as regards his products, by virtue of the European Community directives providing for the affixing of the CE marking.

When the CE marking is affixed on a product, it represents a declaration of the manufacturer or of his authorized representative that the product in question conforms to all the applicable provisions including the conformity assessment procedures.

IEC CB TEST CERTIFICATE		Ref. Certificate No.
		NL-14196/A1
IEC SYSTEM FOR MUTUAL RECOGNITION OF TEST CERTIFICATES FOR ELECTRICAL EQUIPMENT (IECEE) CB SCHEME		
Issued by:	KEMA Quality B.V.	
Product:	Moulded case circuit-breaker	
Applicant:	LS Industrial Systems Co., Ltd.	1026-6, Hoge-dong, Dong-an-gu Anyang-si, Gyeonggi-do Korea, Republic of
Manufacturer:	LS Industrial Systems Co., Ltd.	1026-6, Hoge-dong, Dong-an-gu Anyang-si, Gyeonggi-do Korea, Republic of
Factory:	LS Industrial Systems Co., Ltd. Cheongju Plant	1, Songjeong-dong, Heungdeok-gu Cheongju-si, Chungcheongbuk-do Korea, Republic of
Rating and principal characteristics:	3 poles MCCB (thermal/magnetic) I <sub>n</sub> = 15, 20, 30, 40, 50, 60, 75, 100, 125 A U <sub>e</sub> = 220, 240, 250, 415, 440, 460 V ac U <sub>i</sub> = 750 V ac U <sub>imp</sub> = 8 kV I <sub>cu</sub> = 100 kA at 220, 240, 250 V and 50 kA at 415, 440, 460 V, I <sub>cs</sub> = 100%I <sub>cu</sub> Rated frequency = 50/60 Hz Cat A.	
Trade mark (if any):	LS	
Model/Type reference:	ABH53c, ABS103c, ABH103c	
Additional information:	WMT procedure	
Sample of product tested to be in conformity with IEC:	60947-2(ed.4)	
Test Report Ref. No.:	2109959.51 (156 pages)	
This CB Test Certificate is issued by the National Certification Body:		
KEMA Quality B.V. Ulrichsweeg 310 P.O. Box 5185 6802 ED Arnhem The Netherlands		
Signed by: H.L. Schendstok		
Date of issue: 2008-05-21		

IEC CB TEST CERTIFICATE		Ref. Certificate No.
		NL-14216/A2
IEC SYSTEM FOR MUTUAL RECOGNITION OF TEST CERTIFICATES FOR ELECTRICAL EQUIPMENT (IECEE) CB SCHEME		
Issued by:	KEMA Quality B.V.	
Product:	Moulded case circuit-breaker (earth leakage circuit-breaker)	
Applicant:	LS Industrial Systems Co., Ltd.	1026-6, Hoge-dong, Dong-an-gu Anyang-si, Gyeonggi-do Korea, Republic of
Manufacturer:	LS Industrial Systems Co., Ltd.	1026-6, Hoge-dong, Dong-an-gu Anyang-si, Gyeonggi-do Korea, Republic of
Factory:	LS Industrial Systems Co., Ltd. Cheongju Plant	1, Songjeong-dong, Heungdeok-gu Cheongju-si, Chungcheongbuk-do Korea, Republic of
Rating and principal characteristics:	3 pole Earth leakage circuit-breaker (thermal/magnetic with electronic ground fault detection: 30 mA, 100/200/500 mA) I <sub>n</sub> = 15, 20, 30, 40, 50, 60, 75, 100 and 125A U <sub>e</sub> = 220, 240, 250 and 415, 440, 460 V ac U <sub>i</sub> = 460 V ac U <sub>imp</sub> = 8 kV I <sub>cu</sub> = 100 kA at 220, 240, 250 V and I <sub>cs</sub> = 90 kA at 415, 440, 460 V I <sub>cs</sub> = 100%I <sub>cu</sub> Rated frequency = 50/60 Hz Cat A.	
Trade mark (if any):	LS	
Model/Type reference:	EBS 103c, EBH 53c, EBH103c	
Additional information:	WMT procedure	
Sample of product tested to be in conformity with IEC:	60947-2(ed.4)	
Test Report Ref. No.:	2109959.54	
This CB Test Certificate is issued by the National Certification Body:		
KEMA Quality B.V. Ulrichsweeg 310 P.O. Box 5185 6802 ED Arnhem The Netherlands		
Signed by: H.L. Schendstok		
Date of issue: 2008-06-05		

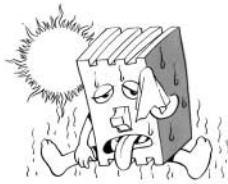
## Technical Information

### Standard Use Environment

#### Standard Use Environment for Molded Case Circuit Breaker

The operation characteristic of Molded Case Circuit Breaker including short-circuit, overload, endurance and insulation is often influenced largely by external environment and thus should be applied appropriately with conditions of the place where it is used taken into consideration. In particular, the operation characteristic of the circuit breaker with a thermal magnetic trip element (FTU, FMU, ATU) applied changes a bit with the ambient temperature so you have to adjust the value of power rating accordingly when it is actually in use.

- 1) Ambient Temperature: Within the range of  $-5^{\circ}\text{C}$  ~  $+40^{\circ}\text{C}$  (However, the average for the duration of 24 hours must not exceed  $35^{\circ}\text{C}$ .)
- 2) Relative Humidity: Within the range of 45~85%
- 3) Altitude: 2,000m or less (However, if it exceeds 1,000m, atmosphere correction through humidity test and withstand voltage test can be considered.)
- 4) Atmosphere where excessive steam, oil steam, smoke, dust, salt and other corrosive materials do not exist



- If a standard circuit breaker is used in high temperature exceeding  $40^{\circ}\text{C}$ , you are advised to use it according to the current corrected for each level of ambient temperature in catalog.
- If used in conditions of highly humidity, the dielectric strength or electric performance may be degraded.



- There is no problem in conduction switch, trip or short circuit isolation in the temperature of  $-20^{\circ}\text{C}$ .
- Passing or storage in stone-cold area is allowed in the temperature of  $40^{\circ}\text{C}$ .
- The operating characteristic of the breaker with a thermal magnetic trip element changes as the base ambient temperature is adjusted to  $40^{\circ}\text{C}$ .



- It is highly recommended to use a dust cover or anti-humid agent if it is used in dusty and humid conditions.
- Excessive vibration may cause a trip break such as connection fault or flaw on mechanical parts.



- If it is left ON or OFF for a long time, it is recommended to switch load current on a regular basis.
- It is recommend to put it in the sealed protection if corrosive gas is prevalent.

# Technical Document

## Special Use Environment

### Environment where Ambient Temperature Exceeds 40 °C

The temperature of each module of a Molded Case Circuit Breaker is the sum of temperature increase by conduction and ambient temperature and if the ambient temperature exceeds 40°C the passing current needs to be reduced so that the temperature of such element as internal insulator of MCCB exceed the maximum allowable temperature.

The base ambient temperature of Metasol breaker is set as 40°C so if it has to be used in conditions with higher temperature than this, the rated current is required to be reduced a little as described in the table below.

**Table of Rated Current for Metasol MCCB Corrected according to Ambient Temperature**

Ampere Frame	Rated current	Model Name of Breaker	Rated current	Table of Rated Current Corrected according to Ambient Temperature (A)							
				10°C	20°C	30°C	40°C	45°C	50°C	55°C	
30	3	ABS30c	3	3	3	3	3	3	3	3	
	5		5	5	5	5	5	5	4		
	10		10	10	10	10	10	10	9	9	
	15		15	15	15	15	15	15	14	13	
	20		20	20	20	20	20	19	19	18	
	30	30	30	30	30	30	29	28	27		
	50	40	ABN50c, ABS50c	40	40	40	40	40	39	38	36
		50		50	50	50	50	49	47	45	
	60	60	ABN60c, ABS60c	60	60	60	60	60	58	56	55
	100	75	ABN100c	75	75	75	75	75	73	71	68
100		100		100	100	100	97	94	91		
125	125	ABH50c, ABS125c, ABH125c	125	125	125	125	125	121	116	107	
250	150	ABN200c, ABS200c, ABH250c	150	150	150	150	150	145	140	128	
	175		175	175	175	175	169	163	150		
	200		200	200	200	200	193	186	171		
	225		225	225	225	225	217	209	193		
	250		250	250	250	250	241	233	214		
400	250	ABN400c, ABS400c ABH400c, ABL400c	250	250	250	250	250	246	242	238	
	300		300	300	300	300	295	291	287		
	350		350	350	350	350	345	339	332		
	400		400	400	400	400	394	388	381		
800	500	ABN800c, ABS800c ABL800c	500	500	500	500	500	492	485	477	
	630		630	630	630	630	621	611	602		
	700		700	700	700	700	689	679	668		
	800		800	800	800	800	788	776	764		

# Technical Document

## Special Use Environment

Table of Rated Current for Metasol ELCB Corrected according to Ambient Temperature

Ampere Frame	Rated current	Model Name of Breaker	Rated current	Table of Rated Current Corrected according to Ambient Temperature (A)							
				10°C	20°C	30°C	40°C	45°C	50°C	55°C	
30	15	EBS30c	15	15	15	15	15	15	15	15	
	20		20	20	20	20	19	19	18		
	30		30	30	30	30	29	28	27		
	50	40	EBN50c, EBS50c	40	40	40	40	40	39	38	36
		50		50	50	50	50	49	47	45	
	60	60	EBN60c, EBS60c	60	60	60	60	60	58	56	55
100		75	EBN100c	75	75	75	75	75	73	71	68
	100	100		100	100	100	97	94	91		
125	125	EBH50c, EBS125c, EBH125c	125	125	125	125	125	121	116	107	
250	150	EBN200c, EBS200c, EBH250c	150	150	150	150	150	145	140	128	
	175		175	175	175	175	169	163	150		
	200		200	200	200	200	193	186	171		
	225		225	225	225	225	217	209	193		
	250		250	250	250	250	241	233	214		
400	250	EBN400c, EBS400c EBH400c, EBL400c	250	250	250	250	250	246	242	238	
	300		300	300	300	300	295	291	287		
	350		350	350	350	350	345	339	332		
	400		400	400	400	400	394	388	381		
800	500	EBN800c, EBS800c EBL800c	500	500	500	500	500	492	485	477	
	630		630	630	630	630	621	611	602		
	700		700	700	700	700	689	679	668		
	800		800	800	800	800	788	776	764		

## Special Use Environment

### Environment where Ambient Temperature is -5°C or less

Molded Case Circuit Breaker is subject to the effect of low temperature brittle of metal part inside and insulator, or changes in viscosity of lubricating oil in device, extra care should be taken not to have the temperature drop extremely with the use of such device as space heater. In addition, in case of using a thermal magnetic trip element (FTU, FMU, ATU), the operating characteristic changes toward the difficult direction, so you should identify the relationship of protection and correct accordingly.

Although MCCB is not affected by conduction switch, trip, or short circuit isolation in the temperature of -20°C, it is highly recommended to use a temperature maintaining device such as space heater. In addition, transportation and passing in stone-cold area in the temperature as low as -40°C is allowed but it is recommend to leave the status of MCCB off or tripped in order to minimize the effect of brittle due to a low temperature.

### High Humidity Condition (Relative Humidity 85% or more)

Using Molded Case Circuit Breaker in a place of high humidity requires a rigorous maintenance including installation of anti-humidity agent within the structure in order to prevent the insulation sag of insulator or corrosion of mechanical parts as a result of high humidity. Also, in case of installing MCCB within the enclosed equipment, a space heater needs to be installed as well to prevent dew condensation that might occur due to a drastic temperature change.

### Environment where Petrochemical Gas Exists

The contact material of Molded Case Circuit Breaker is silver or silver alloy which develops creation of petrochemical coat that might cause a poor connection if it gets in contact with petrochemical gas.

However, it is easy for petrochemical coat to be mechanically taken off so it is no problem if make-and break operation occurs frequently but it needs to be switched back and forth between make and break if the operation rarely occurs.

The lead wire of moving contact of Molded Case Circuit Breaker can be disconnected as it is corroded or hardened by petrochemical gas. The silver coating is effective to prevent this from occurring and there is a need to increase durability of MCCB with the use of silver coated lead wire if it is used in environment with thick petrochemical gas.

### Environment where Potentially Explosive Gas Exists

It is advised, in principle, not to install a Molded Case Circuit Breaker that switches and inhibits current in a dangerous place such as this one.

### Impact of Altitude

If an MCCB is used in an elevated area higher than 2000m sea level, its operating performance is subject to dramatic drop in atmospheric pressure and temperature. For example, the air pressure is reduced to 80% of ordinary pressure at 2,200m and further 50% at 5,500m although the short-circuit performance is not affected. If it is used in areas of high sea level, you can do correction based on the correction parameter table in high altitude environment, as described below.

[Correction Parameter Table for Altitude]

Altitude	Voltage Correction Parameter	Current Correction Parameter
2,000m	1.00	1.00
3,000m	0.91	0.98
4,000m	0.82	0.96
5,000m	0.73	0.94
6,000m	0.65	0.92

\* Refer to the correction parameter table in high altitude environment (ANSI C37. 29-1970)

1) How to Correct Voltage:

- If the rated voltage is AC 600V at 4,000m above sea level,  
 $600V \text{ (rated voltage)} \times 0.82 \text{ (correction parameter)} = 492V.$

2) How to Correct Current:

- If the rated current is AC 800A at above 4,000m sea level,  
 $800A \text{ (rated current)} \times 0.96 \text{ (correction parameter)} = 768A.$

## Environment with Vibration and Impulse Exercised

### Impact of Vibration and Impulse

An excessive vibration and impulse may cause damage on breaker or other security problems including dynamic strength. An appropriate consideration is required to select a right MCCB for an adverse environmental stress such as this one. Moreover, this stress may incur from vibration during transportation, magnetic impulse while manipulating a switch or may be affected by equipment in surrounding area.

There is a standard call [Vibration Testing Method for Small Electric Appliances] for vibration and impulse test for electric equipment and the seismic and endurance tests of Molded Case Circuit Breaker are conducted in accordance with this standard, considering the circumstance mentioned above.

### Vibration

The magnitude of vibration is measured by double amplitude and frequency with the following equation with accelerator.

$$a_g = 0.002 \times \text{frequency(Hz)} \times \text{double amplitude (mm)}$$

\*  $a_g$ : multiple of gravitational acceleration ( $g=9.8\text{m/sec}^2$ )

There are three types of vibration tests including resonance test, vibration endurance test, and malfunction test as described below.

#### 1) Resonant Test

Alter the frequency of sinusoidal wave within the range of 0~55Hz gradually with 0.5~1mm of double amplitude applied to see if there is any occurrence of vibration on a specific part of MCCB.

#### 2) Vibration Endurance Test

A sinusoidal wave with double amplitude of 0.5~1mm and frequency of 55Hz(resonant frequency obtained in previous clause if there is a resonant point) is manually created to check the operational status.

#### 3) Malfunction Test

Apply vibration for 10 minutes for each condition of altering double amplitude and frequency to check if there is any malfunction in MCCB.

### Impulse

The magnitude of impulse is denoted by the multiple of gravitational acceleration imposed on the equipment and part. The test is conducted through a drop impulse test.

### Impact of High Frequency

In case of high frequency current, you are required to reduce the rated current of the breaker with a thermal magnetic trip element embedded due to heat incurred by the skin effect of conductor and/or core loss of structure. The reduction rate varies according to the Frame Size and rated current and decreases down to 70~80% at 400Hz. In addition, the core loss decreases attractive force, which leads to increase of instantaneous trip current.

\* Core loss: It refers to the electrical loss in a transformer caused by magnetization of the core that changes over time and is categorized into hysteresis loss and eddy current loss.

\* Hysteresis loss: It takes up the majority portion of no-load loss of electric equipment and is calculated like this.

$$P_h = \sigma f B_m n$$

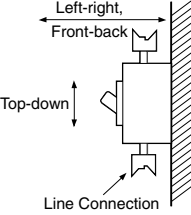
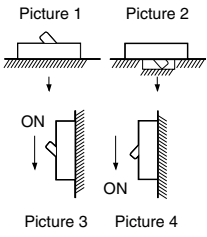
$B_m$ : maximum value of magnetic flux density,  $n$ : constant(1.6~2.0),  $f$ : frequency,  $\sigma$ : hysteresis constant

\* Eddy current: It refers to an induced electric current formed within the body of a conductor when it moves through a non-uniform or changing magnetic field. The eddy current that incurs at winding of transformer or core is considered as one of the transformer losses as a part of exciting current. It is also called 'eddy current loss'.



## Use Environment with Vibration and Impulse Applied




[Table of Seismic Performance and Internal Impulse Performance]

		Test	Internal Impulse
<b>Test Condition</b>	<b>Mounting</b>	<ul style="list-style-type: none"> <li>Vertical mounting</li> <li>Top-down, Left-right, Front-back</li> </ul> 	<ul style="list-style-type: none"> <li>Picture 1, 2, 3, 4</li> <li>(→ represents the direction of drop)</li> </ul> 
	<b>Status of MCCB</b>	(1) Non-conduction (ON or OFF status) (2) Status where rated current is conducted until the temperature of MCCB becomes constant and keeps being conducted	Non-conduction (ON or OFF status)
<b>Test Result</b>	<b>Judgment Condition</b>	<ul style="list-style-type: none"> <li>If it is ON, it should not be OFF</li> <li>If it is OFF, it should not be ON</li> <li>No abnormal status such as damage, transformation, or annealing of nut part</li> <li>Characteristics of switch and trip after the test must be normal</li> </ul>	




# Cerfications




Metasol

## MCCB

Type	Approvals		Certificates
	Safet certi	IEC	KEMA
Mark and name			
Type	Korea	Europe	Netherlands
ABS32c	●	●	●
ABS33c	●	●	●
ABS34c	●	●	●
ABN52c	●	●	●
ABN53c	●	●	●
ABN54c	●	●	●
ABS52c	●	●	●
ABS53c	●	●	●
ABS54c	●	●	●
ABN62c	●	●	●
ABN63c	●	●	●
ABN64c	●	●	●
ABS62c	●	●	●
ABS63c	●	●	●
ABS64c	●	●	●
ABN102c	●	●	●
ABN103c	●	●	●
ABN104c	●	●	●
ABS32d	●	●	●
ABS33d	●	●	●
ABS34d	●	●	●
ABN52d	●	●	●
ABN53d	●	●	●
ABN54d	●	●	●
ABS52d	●	●	●
ABS53d	●	●	●
ABS54d	●	●	●
ABN62d	●	●	●
ABN63d	●	●	●
ABN64d	●	●	●
ABS62d	●	●	●
ABS63d	●	●	●
ABS64d	●	●	●
ABN102d	●	●	●
ABN103d	●	●	●
ABN104d	●	●	●
ABP52c	●	●	●
ABP53c	●	●	●
ABP54c	●	●	●
ABH52c	●	●	●
ABH53c	●	●	●
ABH54c	●	●	●
ABS102c	●	●	●
ABS103c	●	●	●
ABS104c	●	●	●
ABP102c	●	●	●
ABP103c	●	●	●

## ELCB

Type	Approvals		Certificates
	Safet certi	IEC	KEMA
Mark and name			
Type	Korea	Europe	Netherlands
ABP104c	●	●	●
ABH102c	●	●	●
ABH103c	●	●	●
ABH104c	●	●	●
ABN202c	●	●	●
ABN203c	●	●	●
ABN204c	●	●	●
ABS202c	●	●	●
ABS203c	●	●	●
ABS204c	●	●	●
ABP202c	●	●	●
ABP203c	●	●	●
ABP204c	●	●	●
ABH202c	●	●	●
ABH203c	●	●	●
ABH204c	●	●	●
ABN402c	●	●	●
ABN403c	●	●	●
ABN404c	●	●	●
ABS402c	●	●	●
ABS403c	●	●	●
ABS404c	●	●	●
ABH402c	●	●	●
ABH403c	●	●	●
ABH404c	●	●	●
ABL402c	●	●	●
ABL403c	●	●	●
ABL404c	●	●	●
ABN602c	●	●	●
ABN603c	●	●	●
ABN604c	●	●	●
ABS602c	●	●	●
ABS603c	●	●	●
ABS604c	●	●	●
ABL602c	●	●	●
ABL603c	●	●	●
ABL604c	●	●	●
ABN802c	●	●	●
ABN803c	●	●	●
ABN804c	●	●	●
ABS802c	●	●	●
ABS803c	●	●	●
ABS804c	●	●	●
ABL802c	●	●	●
ABL803c	●	●	●
ABL804c	●	●	●

Type	Approvals		Certificates
	Safet certi	IEC	KEMA
Mark and name			
Type	Korea	Europe	Netherlands
EBS33c	●	●	●
EBS34c	●	●	●
EBN52c	●	●	●
EBN53c	●	●	●
EBS53c	●	●	●
EBS54c	●	●	●
EBN63c	●	●	●
EBS63c	●	●	●
EBS64c	●	●	●
EBN102c	●	●	●
EBN103c	●	●	●
EBN104c	●	●	●
EBS33d	●	●	●
EBS34d	●	●	●
EBN52d	●	●	●
EBN53d	●	●	●
EBS53d	●	●	●
EBS54d	●	●	●
EBN63d	●	●	●
EBS63d	●	●	●
EBS64d	●	●	●
EBN102d	●	●	●
EBN103d	●	●	●
EBN104d	●	●	●
EBP53c	●	●	●
EBP54c	●	●	●
EBH53c	●	●	●
EBH54c	●	●	●
EBS103c	●	●	●
EBS104c	●	●	●
EBP103c	●	●	●
EBP104c	●	●	●
EBH103c	●	●	●
EBH104c	●	●	●
EBN202c	●	●	●
EBN203c	●	●	●
EBS203c	●	●	●
EBS204c	●	●	●
EBP203c	●	●	●
EBP204c	●	●	●
EBH203c	●	●	●
EBH204c	●	●	●

Note: ●(Completion)



فروشگاه تسلا کالا

انواع خازن های فشارضعیف و تجهیزات جانبی مربوطه

[www.TESLAKALA.com](http://www.TESLAKALA.com)

## Green Innovators of Innovation



### Safety Instructions

- For your safety, please read user's manual thoroughly before operating.
- Contact the nearest authorized service facility for examination, repair, or adjustment.
- Please contact a qualified service technician when you need maintenance. Do not disassemble or repair by yourself!
- Any maintenance and inspection shall be performed by the personnel having expertise concerned.

**LSIS Co., Ltd.**

© 2009.10 LSIS Co.,Ltd. All rights reserved.

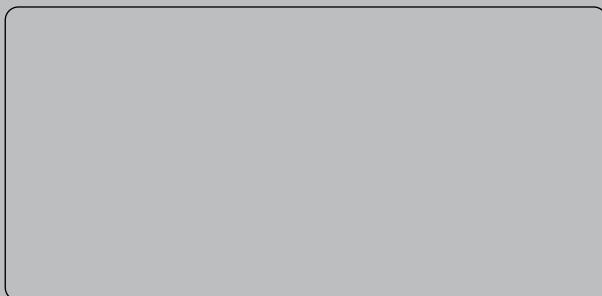
[www.lsis.biz](http://www.lsis.biz)

#### ■ HEAD OFFICE

LS Tower 1026-6, Hogye-dong, Dongan-gu,  
Anyang-si, Gyeonggi-do 431-848, Korea  
Tel. (82-2)2034-4887, 4873, 4148  
Fax. (82-2)2034-4648

#### ■ CHEONG-JU PLANT

Cheong-Ju Plant #1, Song Jung Dong, Hung Duk Ku,  
Cheong Ju, 361-720, Korea



Specifications in this catalog are subject to change without notice due to continuous product development and improvement.

#### ■ Global Network

- **LSIS (Middle East) FZE >> Dubai, U.A.E.**  
Address: LOB 19 JAFZA VIEW TOWER Room 205, Jebel Ali Freezone P.O. Box 114216, Dubai, United Arab Emirates  
Tel: 971-4-886 5360 Fax: 971-4-886-5361 e-mail: jungyongl@lsis.biz
- **Dalian LSIS Co., Ltd. >> Dalian, China**  
Address: No.15, Liaohexi 3-Road, Economic and Technical Development zone, Dalian 116600, China  
Tel: 86-411-8273-7777 Fax: 86-411-8730-7560 e-mail: lixx@lsis.com.cn
- **LSIS (Wuxi) Co., Ltd. >> Wuxi, China**  
Address: 102-A, National High & New Tech Industrial Development Area, Wuxi, Jiangsu, 214028, P.R.China  
Tel: 86-510-8534-6666 Fax: 86-510-522-4078 e-mail: xuhg@lsis.com.cn
- **LSIS-VINA Co., Ltd. >> Hanoi, Vietnam**  
Address: Nguyen Khe - Dong Anh - Ha Noi - Viet Nam  
Tel: 84-4-882-0222 Fax: 84-4-882-0220 e-mail: srjo@lsisvina.com
- **LSIS-VINA Co., Ltd. >> Hochiminh, Vietnam**  
Address: 41 Nguyen Thi Minh Khai Str. Yoco Bldg 4th Floor, Hochiminh City, Vietnam  
Tel: 84-8-3822-7941 Fax: 84-8-3822-7942 e-mail: sbpark@lsisvina.com
- **LSIS Shanghai Office >> Shanghai, China**  
Address: Room E-G, 12th Floor Huamin Empire Plaza, No.726, West Yan'an Road Shanghai 200050, P.R. China  
Tel: 86-21-5237-9977 (609) Fax: 89-21-5237-7191 e-mail: jinhk@lsis.com.cn
- **LSIS Beijing Office >> Beijing, China**  
Address: B-Tower 17FL.Beijing Global Trade Center B/D. No.36, BeiSanHuanDong-Lu, DongCheng-District, Beijing 100013, P.R. China  
Tel: 86-10-5825-6025,7 Fax: 86-10-5825-6026 e-mail: cuixiaorong@lsis.com.cn
- **LSIS Guangzhou Office >> Guangzhou, China**  
Address: Room 1403,14F,New Poly Tower,2 Zhongshan Liu Road,Guangzhou, P.R. China  
Tel: 86-20-8326-6764 Fax: 86-20-8326-6287 e-mail: linsz@lsis.biz
- **LSIS Chengdu Office >> Chengdu, China**  
Address: Room 1701 17Floor, huanminhanjun international Building, No1 Fuxing Road Chengdu, 610041, P.R. China  
Tel: 86-28-8670-3101 Fax: 86-28-8670-3203 e-mail: yangcf@lsis.com.cn
- **LSIS Qingdao Office >> Qingdao, China**  
Address: 7B40,Haixin Guangchang Sheny Building B, No.9, Shandong Road Qingdao 26600, P.R. China  
Tel: 86-532-8501-6568 Fax: 86-532-583-3793 e-mail: lirj@lsis.com.cn
- **LSIS NETHERLANDS Co.Ltd >> Qingdao, Netherlands**  
Address: 1st. Floor, Tupolevlaan 48, 1119NZ,Schiphol-Rijk, The Netherlands  
Tel: 31-20-654-1420 Fax: 31-20-654-1429 e-mail: junshickp@lsis.biz
- **LSIS Gurgaon Office >> Gurgaon, India**  
Address: 109 First Floor, Park Central, Sector-30, Gurgaon- 122 002, Haryana, India